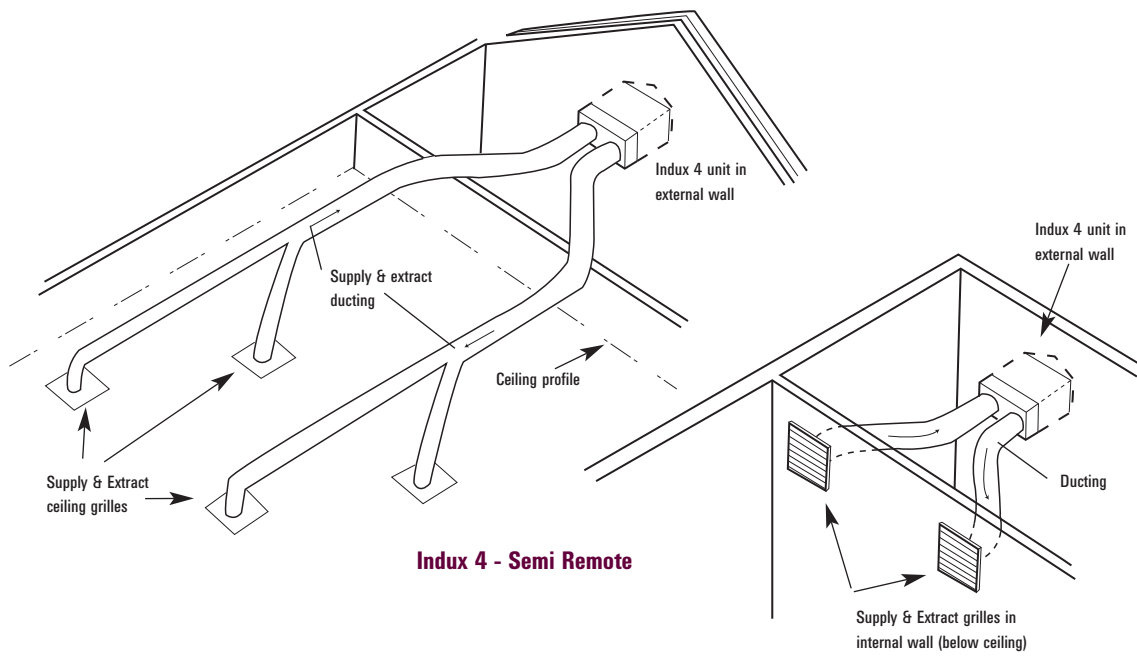




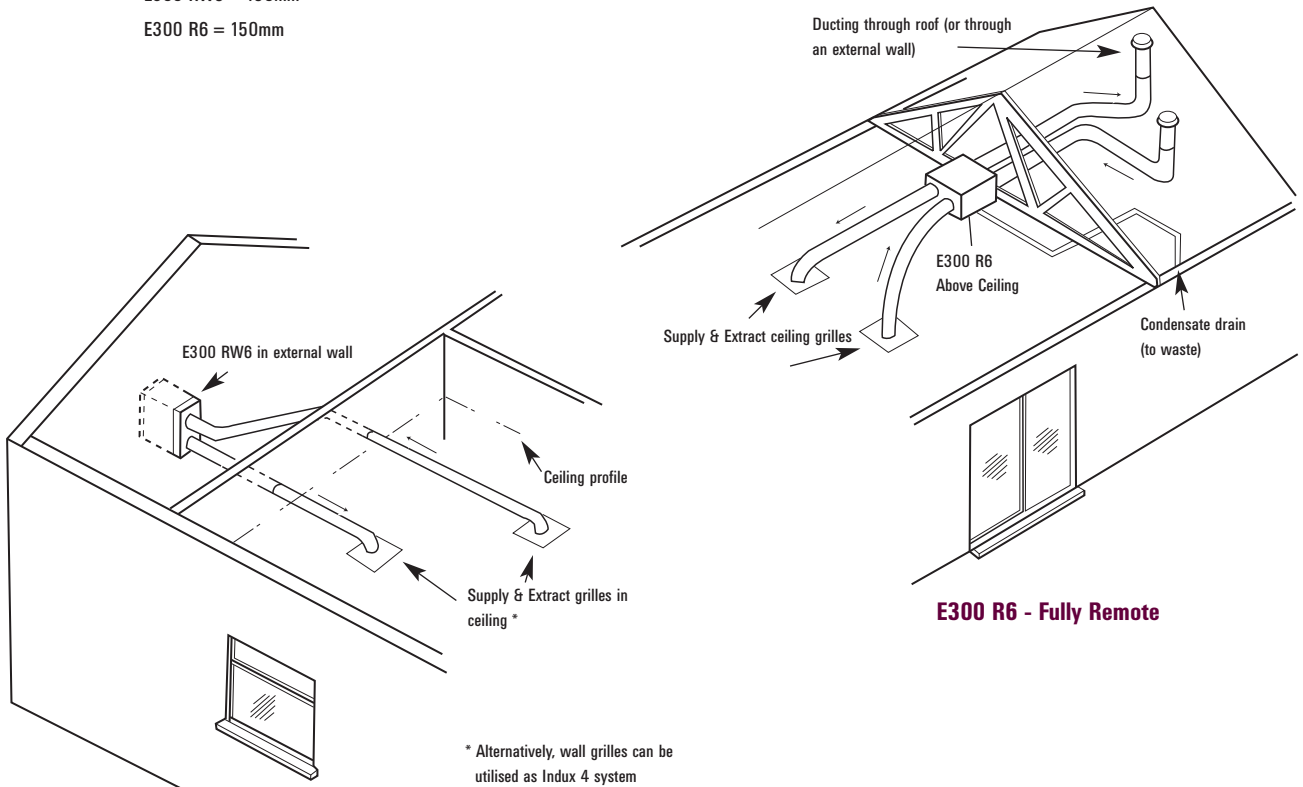
www.agbudget.co.uk Luxury Swimming Pool Kits & Equipment at Budget Prices

ბიჯიტი < YUhiF YWtj YfmjJ YbHj UHcb

INDUX UNITS - SCHEMATIC ILLUSTRATIONS



All Indux Units shown incorporate motorised fans.
 Nominal spigot diameters:
 Indux 4 = 300mm
 E300 RW6 = 150mm
 E300 R6 = 150mm



* Alternatively, wall grilles can be utilised as Indux 4 system

E300 RW6 - Semi Remote

E300 R6 - Fully Remote

INDUX HEAT RECOVERY VENTILATION

For provision of both ventilation and extraction of pool hall air. Up to 70% heat recovery, pre warmed fresh air. No cross contamination



E300 Series
(270mm x 370mm)



Indux 1
(590mm x 370mm)



Indux 4
(590mm x 370mm)

Through The Wall Units

Cat	Code	Description	Price
G	AM3050	Indux 1 - self contained unit	£1130.00
G	AM3000	Indux E300 - self contained unit	£607.00

Semi Remote Units - For Siting In Wall: C/W 2 x Spigots (requires ducting and grilles)

G	AM3054	Indux 4 Semi Remote Unit: Including Fans - 300mm diameter spigots	£1050.00
G	AM3005	Indux E300 RW6 Semi Remote: Including Fans - 150mm diameter spigots	£561.00

Fully Remote Unit - For Internal Mounting C/W 4 x Spigots (requires ducting and grilles)

G	AM3007	Indux E300R6 Fully Remote: Including Fans - 150mm diameter spigots	£683.00
---	--------	--	---------



E300RW6
(270mm x 370mm)

Indux Accessories & Controls

G	AM3100	Indux 1 & 4 Twin fan kit	£464.00
G	AM3040	Indux E300 & E300RW6 replacement fan	£107.00
G	AM3046	E300 extension sleeve for cavity walls wider than 325mm	£66.00
G	AM3032	Panel flange kit to install E300 through thin panel	£26.00
G	AM3010	Speed controller for Indux E300 series	£82.00
G	AM3057	Speed controller for Indux 1 & 4 series	£97.00
G	PG4048	Humidistat	£175.00



E300R6
(370mm x 270mm)