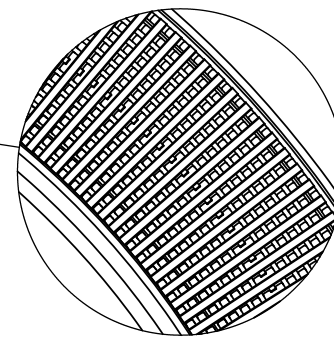
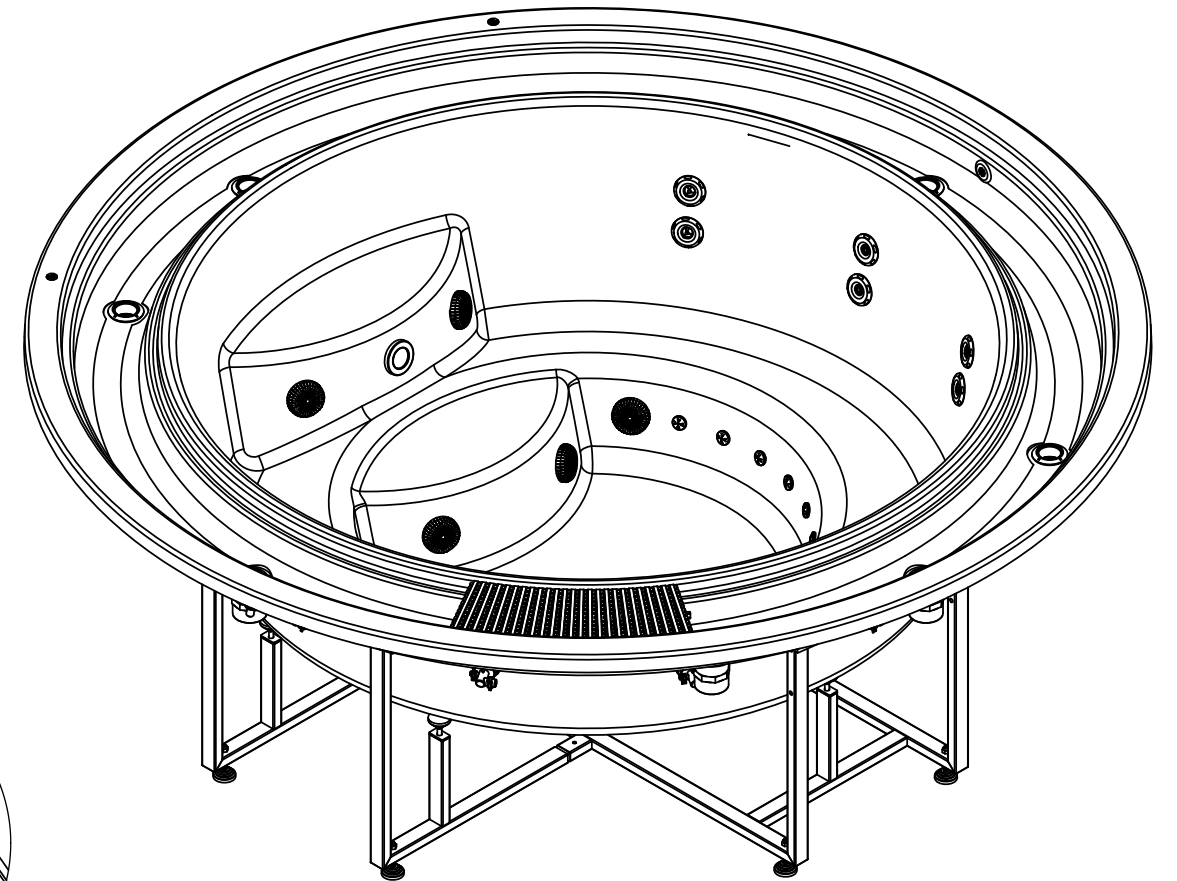
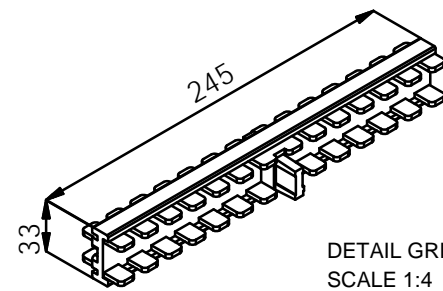


↑ ↑
HYDRAULIC CONNECTIONS ACCESS



D (1 : 10)

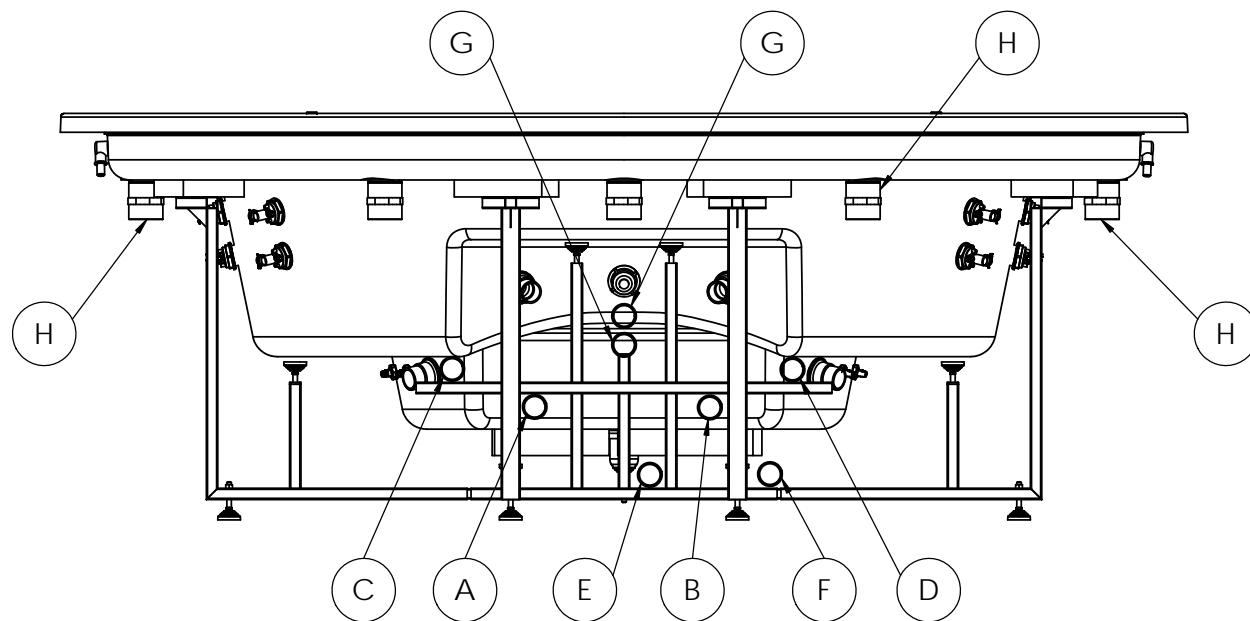
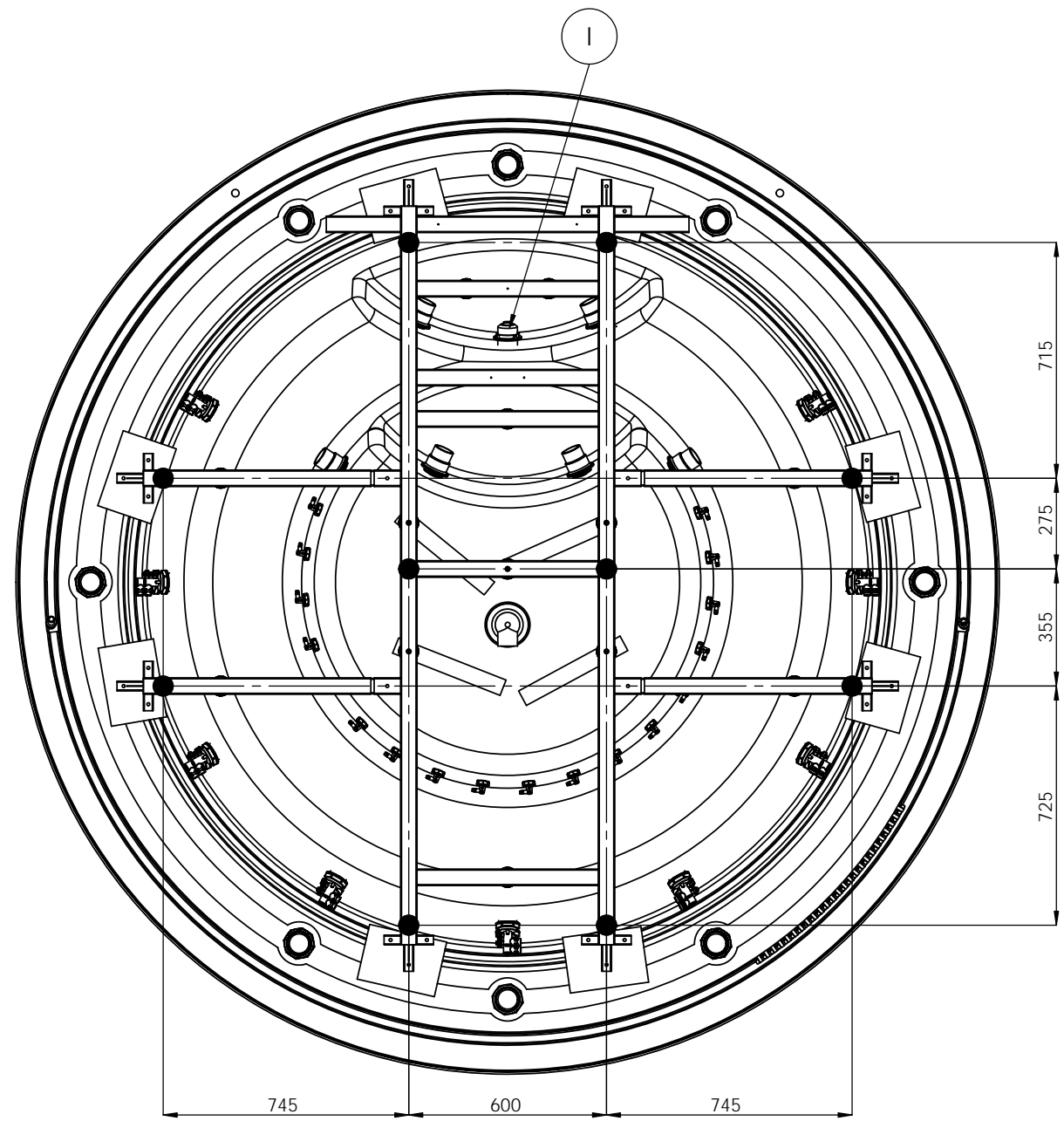


DETAIL GRID
SCALE 1:4

According to our policy of continuous improvement, dimensions, features or components of this product can be partially or completely changed without prior notice. It's Customer responsibility to verify that this is the last version of the drawing

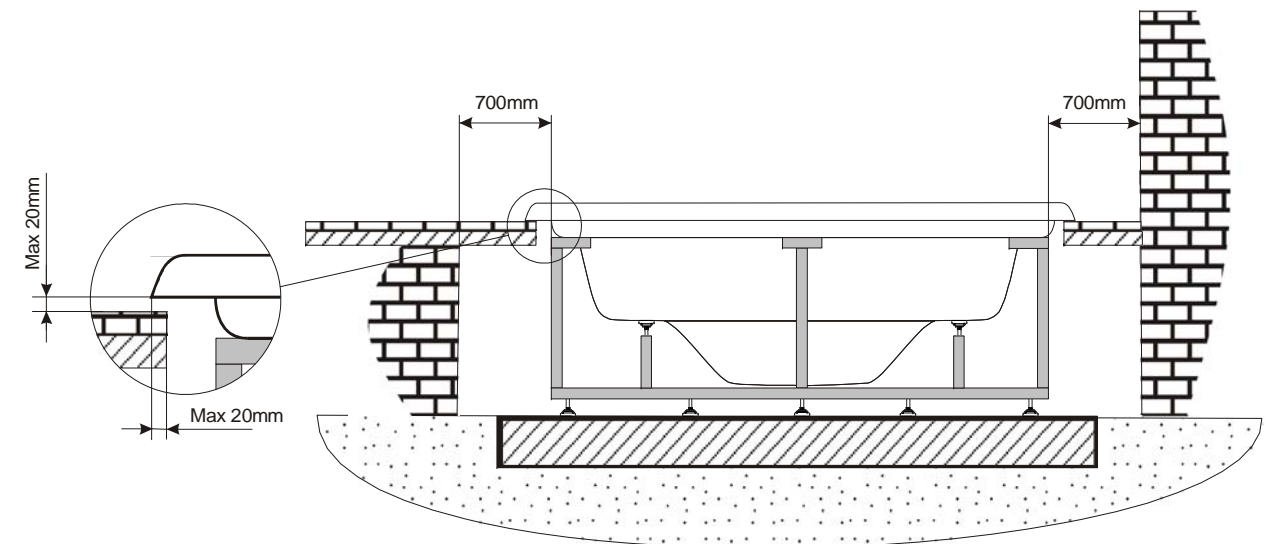
Change No.	Date	Name	Modification
02	12/06/2014	I.Pozo	New templates
01	30/09/2009	M.Freixes	Update regulators feet, max and min height
00	09/03/2009	C.García	Creation drawing

Remarks Dimensions in mm. General Tolerances +/- 10mm			COMMERCIAL		
Drawn	09/03/2009	C.García	IBERSPA	Part Number	Rev.
Checked	09/03/2009	A.Deu		40769 43742	02
Scale 1:20	General Tolerance DIN 7168 ISO 2768g				First Angle Projection
Sheet 1/3					



		40769	43742
A	Suction-Water Massage Pump 1	1x Ø63 FEMALE SOLVENT SOCKET	1x Ø2" FEMALE SOLVENT SOCKET
B	Suction-Water Massage Pump 2	1x Ø63 FEMALE SOLVENT SOCKET	1x Ø2" FEMALE SOLVENT SOCKET
C	Return-Water Massage Pump 1	1x Ø63 FEMALE SOLVENT SOCKET	1x Ø2" FEMALE SOLVENT SOCKET
D	Return-Water Massage Pump 2	1x Ø63 FEMALE SOLVENT SOCKET	1x Ø2" FEMALE SOLVENT SOCKET
E	Return-Air Massage	1x Ø63 FEMALE SOLVENT SOCKET	1x Ø2" FEMALE SOLVENT SOCKET
F	Suction/Return-Filtration Pump Bottom Spa	1x Ø63 FEMALE SOLVENT SOCKET	1x Ø2" FEMALE SOLVENT SOCKET
G	Return-Filtration Pump Inlets	2x Ø63 FEMALE SOLVENT SOCKET	2x Ø2" FEMALE SOLVENT SOCKET
H	Overflow Drains	8x Ø75 FEMALE SOLVENT SOCKET	8x Ø2,5" FEMALE SOLVENT SOCKET
I	Light		

WARNING:
It's essential to keep a minimum clearance access of **700mm** all around.

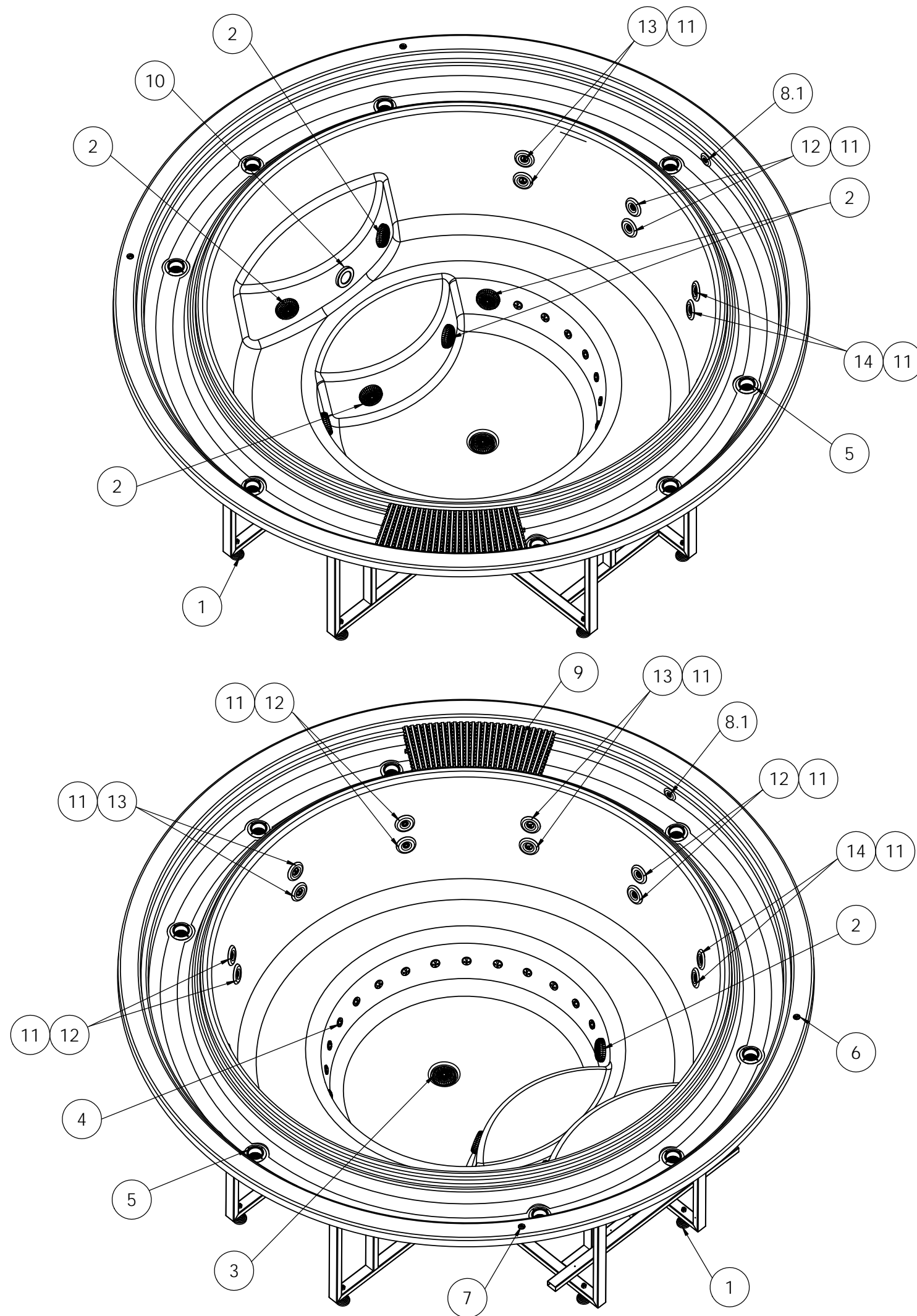


According to our policy of continuous improvement, dimensions, features or components of this product can be partially or completely changed without prior notice.
It's Customer responsibility to verify that this is the last version of the drawing

Change No.	Date	Name	Modification
02	12/06/2014	I.Pozo	New templates
01	30/09/2009	M.Freixes	Update regulators feet, max and min height
00	09/03/2009	C.García	Creation drawing

Remarks Dimensions in mm. General Tolerances +/- 10mm			COMMERCIAL		
Drawn	09/03/2009	C.García		Part Number	Rev.
Checked	09/03/2009	A.Deu		40769	02
Scale 1:20	General Tolerance DIN 7168 ISO 2768g			43742	
Sheet 2/3					First Angle Projection

Property of IBERSPA S.L. Avda. Pla d'Urgell 2-8 25200 Cervera, Spain. Don't use without permission. Keep this information confidential and use it solely for the permitted purpose.



STAINLESS STEEL JETS + WHITE LIGHT			
Position Num.	Part Nº SPARE	Description SPARE	Quant.
1	303325R	SPA SUPPORT	23
2	RPOR0223	WHITE SPA DRAIN 2" ADAPTOR SOCKET D.50	6
3	RPOR0224	WHITE SPA DRAIN 2" ADAPTOR ELBOW 90 D.50	1
4	REMP0046	WHITE-STAINLESS STEEL AIR NOZZLE	18
5	REMP0051	WHITE SPA DRAIN 2 1/2'	8
6	REMP0034	DIGITAL BUTTON IP68 ALUM. AIR	1
7	REMP0033	DIGITAL BUTTON IP68 ALUM. WATER	1
8.1	RPOR0001	WHITE DRAIN SET 1/2"	2
9	REMP0041	CURVED GRATING WIDTH 245 mm	440
10	RPOR0024	LIGHT SPAS SI800	1
11	RPOR0236	JET BODY SET RD 3"	18
12	RPOR0231	FRONTAL JET 3" STAINLESS STEEL DIRECTIONAL	8
13	RPOR0232	FRONTAL JET 3" STAINLESS STEEL 1 JET ROTO	6
14	RPOR0233	FRONTAL JET 3" STAINLESS STEEL TWIN ROTO	4


WHITE JETS + WHITE LIGHT			
Position Num.	Part Nº SPARE	Description SPARE	Quant.
1	303325R	SPA SUPPORT	23
2	RPOR0223	WHITE SPA DRAIN 2" ADAPTOR SOCKET D.50	6
3	RPOR0224	WHITE SPA DRAIN 2" ADAPTOR ELBOW 90 D.50	1
4	REMP0029	KIT STORM AIR NOZZLE	18
5	REMP0051	WHITE SPA DRAIN 2 1/2'	8
6	REMP0034	DIGITAL BUTTON IP68 ALUM. AIR	1
7	REMP0033	DIGITAL BUTTON IP68 ALUM. WATER	1
8.1	RPOR0001	WHITE DRAIN SET 1/2"	2
9	REMP0041	CURVED GRATING WIDTH 245 mm	440
10	RPOR0024	LIGHT SPAS SI800	1
11	RPOR0236	JET BODY SET RD 3"	18
12	REMP0058	FRONTAL JET DIRECCIONAL 3"	8
13	REMP0059	FRONTAL JET ROT 1 CHORRO 3"	6
14	REMP0060	FRONTAL JET ROT 2 CHORRO 3"	4

STAINLESS STEEL JETS + COLOUR LIGHT			
Position Num.	Part Nº SPARE	Description SPARE	Quant.
1	303325R	SPA SUPPORT	23
2	RPOR0223	WHITE SPA DRAIN 2" ADAPTOR SOCKET D.50	6
3	RPOR0224	WHITE SPA DRAIN 2" ADAPTOR ELBOW 90 D.50	1
4	REMP0046	WHITE-STAINLESS STEEL AIR NOZZLE	18
5	REMP0051	WHITE SPA DRAIN 2 1/2'	8
6	REMP0034	DIGITAL BUTTON IP68 ALUM. AIR	1
7	REMP0033	DIGITAL BUTTON IP68 ALUM. WATER	1
8.1	RPOR0001	WHITE DRAIN SET 1/2"	2
9	REMP0041	CURVED GRATING WIDTH 245 mm	440
10	RCOM0063	HIGH INTENSITY COLOURS LED SPOTLIGHTS + STEEL ESCUTCHEON SPOTLIGHT	1
11	RPOR0236	JET BODY SET RD 3"	18
12	RPOR0231	FRONTAL JET 3" STAINLESS STEEL DIRECTIONAL	8
13	RPOR0232	FRONTAL JET 3" STAINLESS STEEL 1 JET ROTO	6
14	RPOR0233	FRONTAL JET 3" STAINLESS STEEL TWIN ROTO	4

WHITE JETS + COLOUR LIGHT			
Position Num.	Part Nº SPARE	Description SPARE	Quant.
1	303325R	SPA SUPPORT	23
2	RPOR0223	WHITE SPA DRAIN 2" ADAPTOR SOCKET D.50	6
3	RPOR0224	WHITE SPA DRAIN 2" ADAPTOR ELBOW 90 D.50	1
4	REMP0029	KIT STORM AIR NOZZLE	18
5	REMP0051	WHITE SPA DRAIN 2 1/2'	8
6	REMP0034	DIGITAL BUTTON IP68 ALUM. AIR	1
7	REMP0033	DIGITAL BUTTON IP68 ALUM. WATER	1
8.1	RPOR0001	WHITE DRAIN SET 1/2"	2
9	REMP0041	CURVED GRATING WIDTH 245 mm	440
10	RCOM0061	HIGH INTENSITY COLOURS LED SPOTLIGHTS + WITHE ESCUTCHEON SPOTLIGHT	1
11	RPOR0236	JET BODY SET RD 3"	18
12	REMP0058	FRONTAL JET DIRECCIONAL 3"	8
13	REMP0059	FRONTAL JET ROT 1 CHORRO 3"	6
14	REMP0060	FRONTAL JET ROT 2 CHORRO 3"	4

According to our policy of continuous improvement, dimensions, features or components of this product can be partially or completely changed without prior notice. It's Customer responsibility to verify that this is the last version of the drawing

Change No.	Date	Name	Modification
02	12/06/2014	I.Pozo	New templates
01	30/09/2009	M.Freixes	Update regulators feet, max and min height
00	09/03/2009	C.García	Creation drawing

Remarks			SPARE DRAWING		
Dimensions in mm. General Tolerances +/- 10mm					
Drawn	09/03/2009	C.García		Part Number	40769
Checked	09/03/2009	A.Deu		Rev.	02
Scale	1:20			General Tolerance	DIN 7168 ISO 2768g
Sheet	3/3				

Property of IBERSPA S.L. Avda. Pla d'Urgell 2-8 25200 Cervera, Spain. Don't use without permission. Keep this information confidential and use it solely for the permitted purpose.