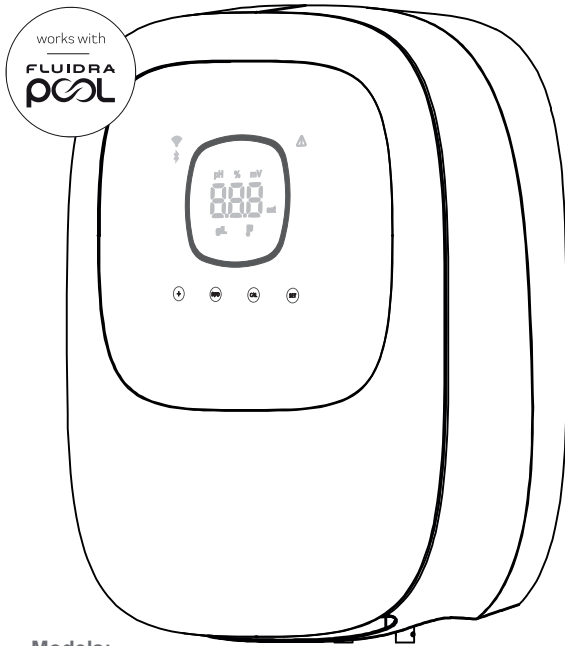
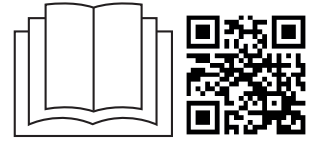


Ei² iQ



Models:

Ei2 iQ 12 | Ei2 iQ pH EVO 12
 Ei2 iQ 20 | Ei2 iQ pH EVO 20
 Ei2 iQ 25 | Ei2 iQ pH EVO 25



- EN Quick Start Guide
- FR Guide de démarrage rapide
- ES Guía de inicio rápido
- IT Guida rapida
- DE Schnellstartanleitung
- PT Guia de início rápido
- NL Snelstartgids
- CS Stručný návod k obsluze
- SV Snabbstartsguide
- DA Lynstartsvejledning
- PL Skrócona instrukcja obsługi
- HU Gyorsindítási útmutató
- EL Οδηγός γρήγορης εκκίνησης
- TR Hızlı Başlangıç Kılavuzu

EN) This manual contains essential installation and startup instructions. Read the online manual (by scanning the QR code at the top of this page) and all safety warnings before starting the installation.

FR) Ce manuel contient les instructions essentielles pour l'installation et la mise en service de l'appareil. Consultez le manuel en ligne (en scannant le code QR situé en haut de cette page) et tous les avertissements de sécurité avant de commencer l'installation.

ES) Este manual contiene las instrucciones básicas de instalación y puesta en servicio del aparato. Lea el manual en línea (escaneando el código QR en la parte superior de esta página) y todas las advertencias de seguridad antes de comenzar la instalación.

IT) Questo manuale contiene le istruzioni di base per l'installazione e la messa in funzione dell'apparecchio. Leggere il manuale online (scansionando il codice QR in cima a questa pagina) e tutte le avvertenze di sicurezza prima di iniziare l'installazione.

DE) Diese Anleitung enthält die grundlegenden Anweisungen für die Installation und Inbetriebnahme des Geräts. Lesen Sie das Online-Handbuch (indem Sie den QR-Code oben auf dieser Seite scannen) und alle Sicherheitshinweise, bevor Sie mit der Installation beginnen.

PT) Este manual contém as instruções básicas de instalação e colocação em funcionamento do aparelho. Leia o manual online (digitalizando o código QR no topo desta página) e todos os avisos de segurança antes de iniciar a instalação.

NL) Deze handleiding bevat de basisinstallatie- en inbedrijfstellingsinstructies voor het apparaat. Lees de online handleiding (door de QR-code bovenaan deze pagina te scannen) en alle veiligheidsaanschuivingen voordat u met de installatie begint.

CS) Tento návod obsahuje základní pokyny pro instalaci a uvedení zařízení do provozu. Před zahájením instalace si přečtěte online příručku (naskenováním QR kódu v horní části této stránky) a všechna bezpečnostní upozornění.

SV) Denna bruksanvisning innehåller grundläggande anvisningar för installation och idrifttagning av apparaten. Läs bruksanvisningen online (genom att skanna QR-koden högst upp på denna sida) och alla säkerhetsvarningar innan du påbörjar installationen.

DA) Denne manual indeholder de grundlæggende installations- og idriftsættelsesinstruktioner for apparatet. Læs onlinevejledningen (ved at scanne QR-koden øverst på denne side) og alle sikkerhedsadvarsler, før du starter installationen.

PL) Niniejsza instrukcja zawiera najważniejsze informacje dotyczące montażu i uruchomienia urządzenia. Przed przystąpieniem do montażu należy zapoznać się z instrukcją online (zeskanować kod QR u góry tej strony) i wszystkimi zasadami bezpieczeństwa.

HU) A jelen kézikönyv a készülék alapvető telepítési és üzembe helyezési utasításait tartalmazza. A telepítés megkezdése előtt olvassa el az online kézikönyvet (az oldal tetején található QR-kód beolvasásával) és az összes biztonsági figyelmeztetést.

EL) Το παρόν εγχειρίδιο περιέχει τις βασικές οδηγίες εγκατάστασης και θέσης σε λειτουργία της συσκευής. Διαβάστε το ηλεκτρονικό εγχειρίδιο (σαρώνοντας τον κωδικό QR στο επάνω μέρος της παρούσας σελίδας) και όλες τις προειδοποιήσεις ασφαλείας πριν ξεκινήσετε την εγκατάσταση.

TR) Bu kılavuz, cihaz için temel kurulum ve devreye alma talimatlarını içerir. Kurulumla başlamadan önce çevrimiçi kılavuzu (bu sayfanın üst kısmındaki QR kodunu tarayarak) ve tüm güvenlik uyarılarını okuyun.



NOTICE

The short manual included with this product only contains essential information on safety measures that must be implemented during installation, maintenance and start-up.

The full manual can be read and downloaded as a PDF file from the following website: <https://www.zodiac.com>. All assembly, electrical installation and maintenance tasks are to be carried out by authorised, qualified technicians who have carefully read all the installation and service instructions.



General Characteristics:

- Once you've installed your salt electrolysis system, you need to dissolve some salt in the water. The salt electrolysis system consists of two elements: an electrolysis cell and a control unit. The electrolysis cell contains a number of titanium plates (electrodes), so that when an electric current is passed through them and the salt solution passes through them, free chlorine is produced.
- Maintaining a certain level of chlorine in the pool water guarantees its healthiness. The salt electrolysis system will produce chlorine when the pool's filtration system (pump and filter) is running.
- The control unit has several safety devices, which are activated in the event of abnormal system operation, as well as a control micro-controller.
- Salt electrolysis systems have an automatic cleaning system for the electrodes that prevents the formation of incrustations on them.

! Safety Warnings and Recommendations:

- Installation and manipulation should only be performed by suitably qualified technicians.
- Applicable standards for prevention of accidents and for electrical installations must be respected.
- During installation, bear in mind that electrically disconnecting the equipment requires a switch or circuit breaker according to standards IEC 60947-1 and IEC 60947-3 which ensures an omnipolar cut-off, directly connected to the power supply terminals and with a contact separation in all poles, providing total disconnection under overvoltage category III conditions, in an area that fulfils the safety requirements of the site. The switch must be located in the immediate vicinity of the equipment and must be easily accessible. Additionally, it must be marked as the equipment's disconnection element.
- The equipment must be powered by a residual current device (RCD) not exceeding 30 mA. The equipment must be earthed.
- The installation must comply with the requirements of IEC / HD 60364-7-702 and national standards applicable to swimming pools.
- The manufacturer accepts no responsibility for assembly, installation or setting up, nor for any manipulation or addition of components other than when carried out in the manufacturer's installations.
- This appliance is not intended for use by persons (including children) with reduced physical, sensory or mental capabilities, or who lack experience or knowledge, unless they have been given supervision or instruction concerning use of the appliance by a person responsible for their safety. Children should be supervised to ensure that they do not play with the appliance.
- If the power cable is damaged, it must be replaced by the manufacturer, by their after-sales service or by a similar qualified technician in order to avoid any type of danger.
- Do not attempt to modify the control unit for operation at any other voltage.
- Ensure that all electrical connectors are properly tightened, to avoid bad connections leading to overheating.
- Before installing or replacing any system component, ensure that the system has been disconnected from the power supply and that no water is flowing through it. Only use genuine replacement parts.
- Because the equipment generates heat, it is important to install it in a well-ventilated area. Do not install near flammable materials.
- Although the equipment has an IP rating, under no circumstances must it be installed in areas with a risk of flooding.
- This equipment is intended to be permanently connected to the water supply and should not be connected using a temporary hose.
- This equipment comes with a mounting bracket; see installation instructions.

Initial Start-Up

1. Ensure that the filter is 100% clean, and that the installation and pool water is free of copper, iron and algae, and that any heating equipment installed is compatible with the presence of salt in the water.
2. Balance the pool water. This will allow us to achieve a more efficient treatment with a lower concentration of free chlorine in the water, and to extend the operating life of the electrodes with less lime scale in the swimming pool.
3. The system has an operating range of 3.5-10 g/L, an attempt should be made to maintain the recommended optimal salt level of 4 g/L.
4. Before starting the operating cycle, disconnect the control unit and run the filter pump for 24 hours to ensure complete dissolution of the salt.
5. Then start up the saline electrolysis system so that the free chlorine level is maintained within the recommended levels (0.5–2 ppm).
6. Compatible with MagnaPool, see chapter 2.8 of the manual.

Pool water balance

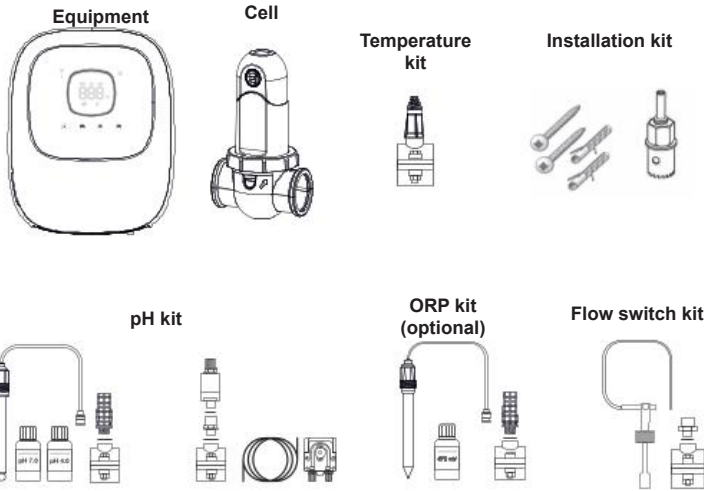
The water must be maintained within the following parameters:

- Total alkalinity between 80 and 150 mg/L (ppm)
- pH between 7.2 and 7.6
- Free chlorine between 0.5 and 2 mg/L (ppm)
- Chlorine stabiliser between 25 and 30 mg/L (ppm). In pools that are exposed to strong sunshine or intensively used, it is advisable to maintain a level of 25–30 mg/L of stabiliser (isocyanuric acid).



See full manual for further information on:
Installation and calibration of pH, ORP, g/L and temperature sensors
Maintenance of the electrolysis cell and peristaltic pumps

Components and installation

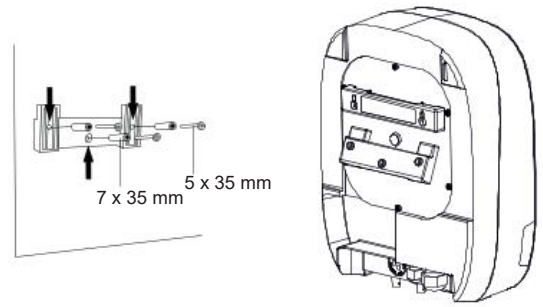


The pH kit and ORP kit are only available for Ei2 iQ pH EVO models.



For further information on installation and wiring, see the full manual.

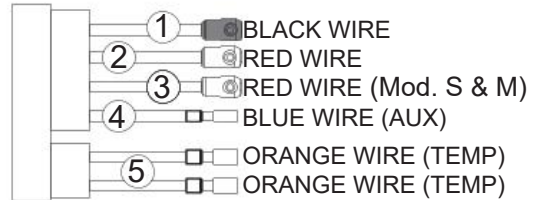
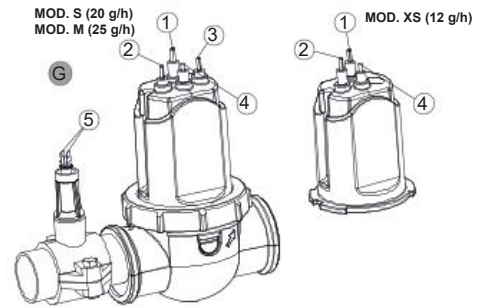
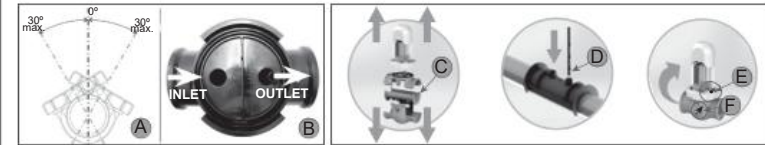
Wall-mounting the equipment



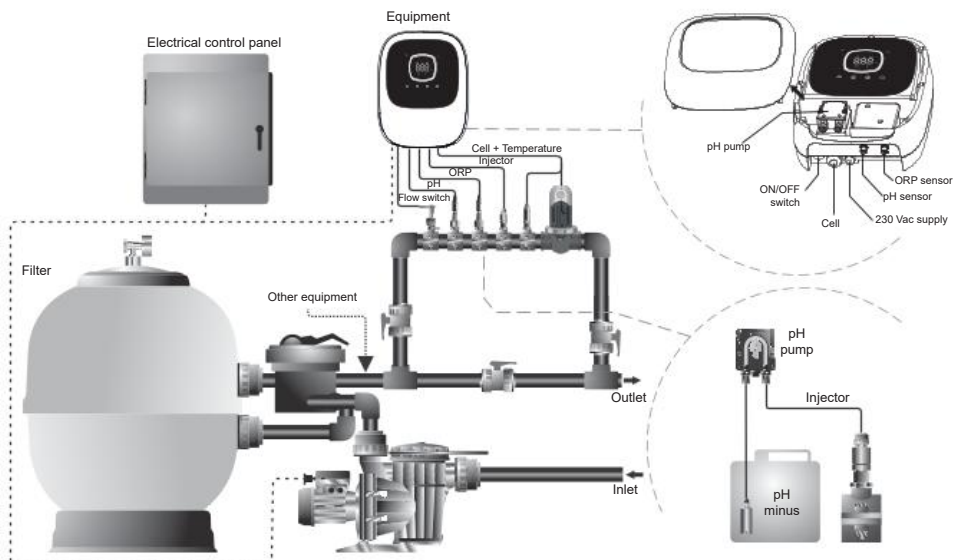
CAUTION: Always install upright on a rigid surface in a dry, ventilated area. We recommend installing the equipment where it will be protected from the weather. Avoid creating corrosive atmospheres.

Electrolysis cell electrical connections

- The cell must be installed in a horizontal tube to ensure that the water flows through it at an angle or inclination not exceeding 30° (A).
- Note the direction of water circulation. (B)
- Remove the cell. (C)
- Place the EU pipe adapter (DN50 mm) upside-down in the desired location on the pipe (D). Using a drill bit or punch, mark the location of the holes to be drilled in the pipe, remove the adaptor and make the holes using the provided hole saw.
- Hook the lower and upper parts of the cell's sleeve into the tube at the level of the holes, bearing in mind the direction of the water flow (C).
- Position the high, transparent part of the cell (position indicator present), place the clamping ring over the upper sleeve thread, aligning point (E) of the sleeve with the arrow on the sleeve (F) and then fully tighten by hand (**without using any tools**).
- Connect the electrical supply cable of the cell bearing in mind the wiring colour codes (G) (red, black and blue connector(s)) and then fit the protective cap.

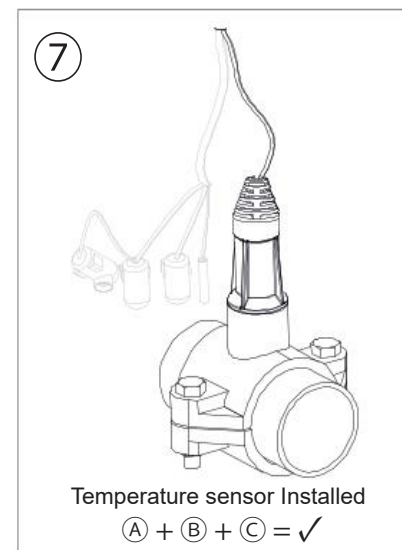
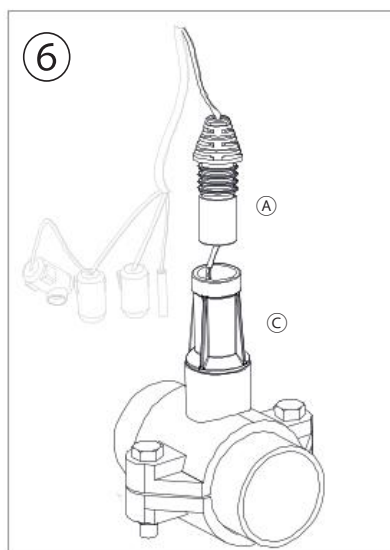
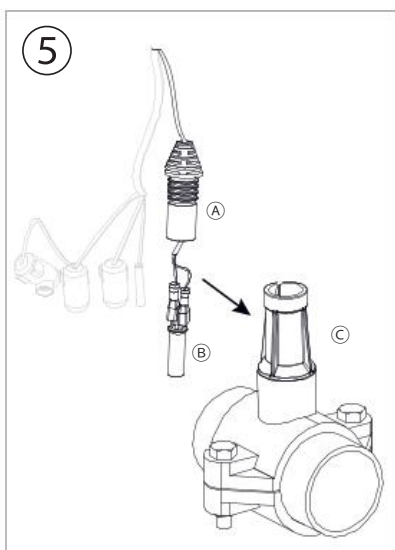
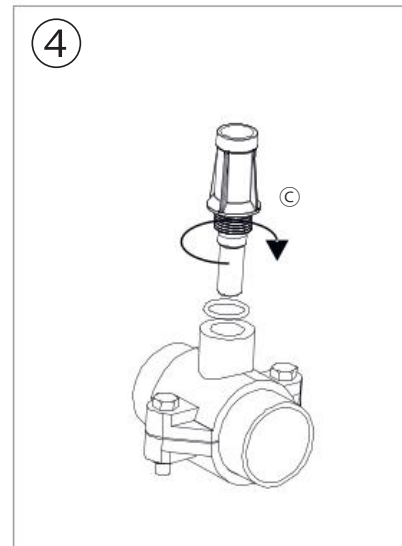
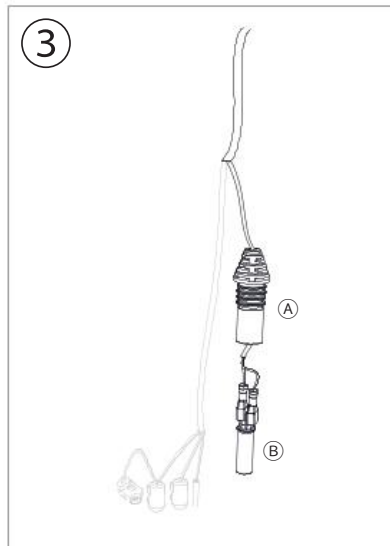
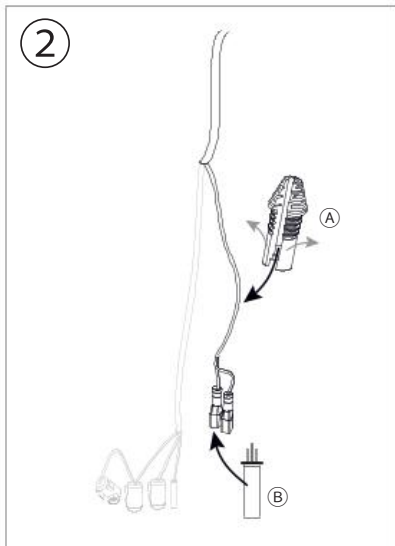
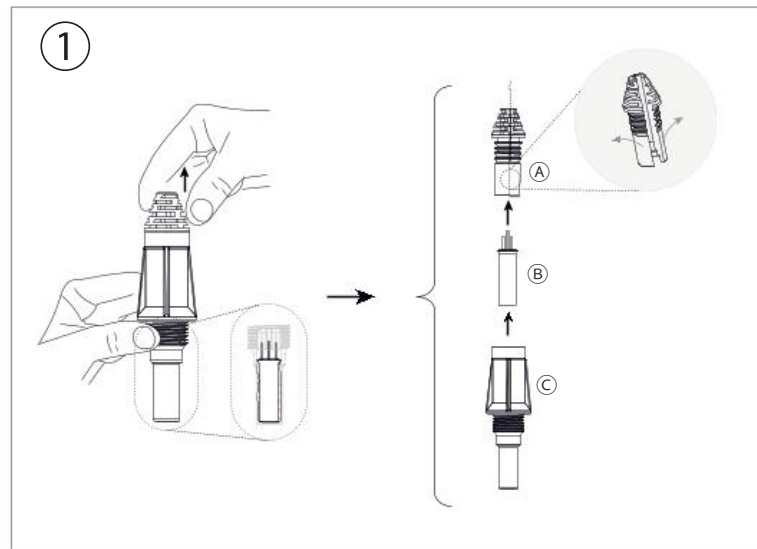
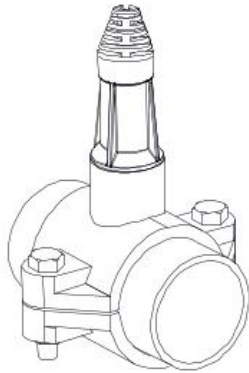


Installation diagram

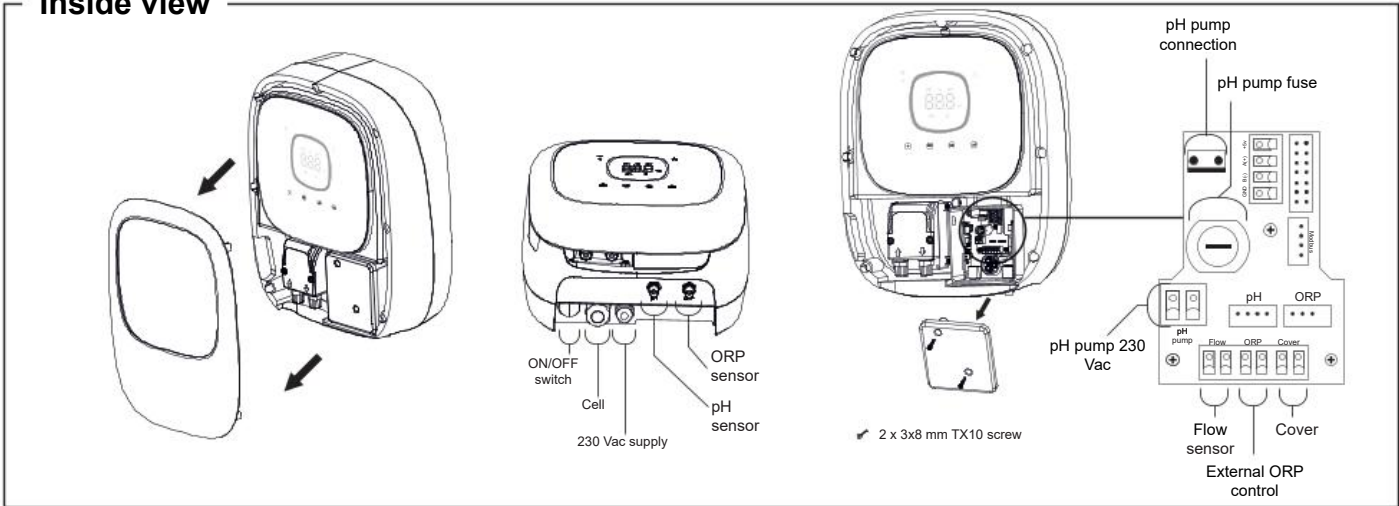


N.B.: This layout shows an installation for a Ei2 iQ pH EVO model including all the options. The layout may vary according to the particular model.

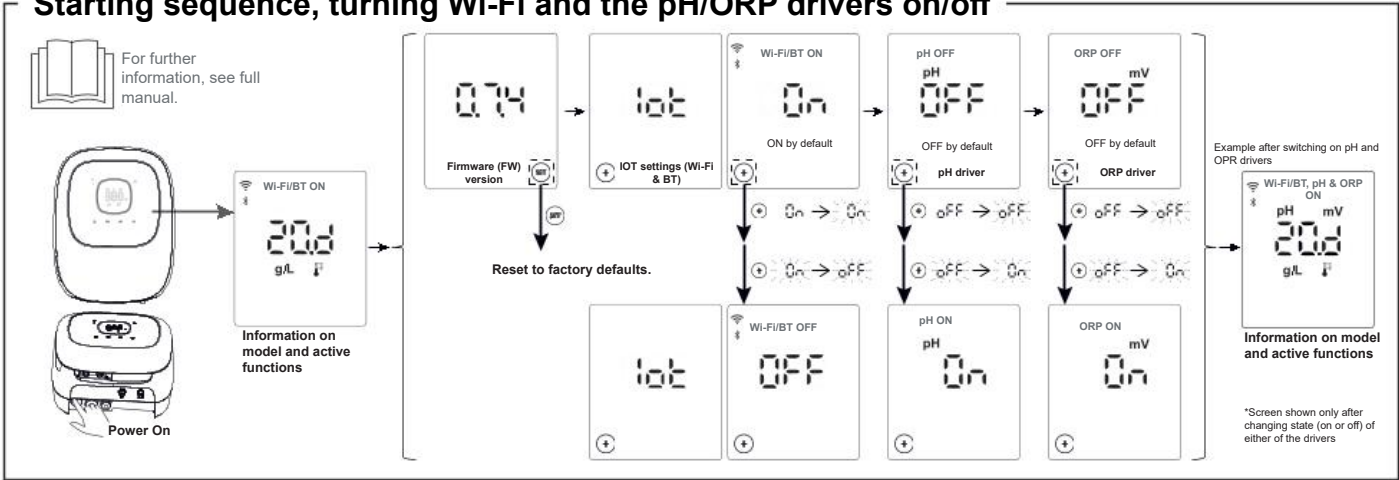
Temperature kit: Components and installation



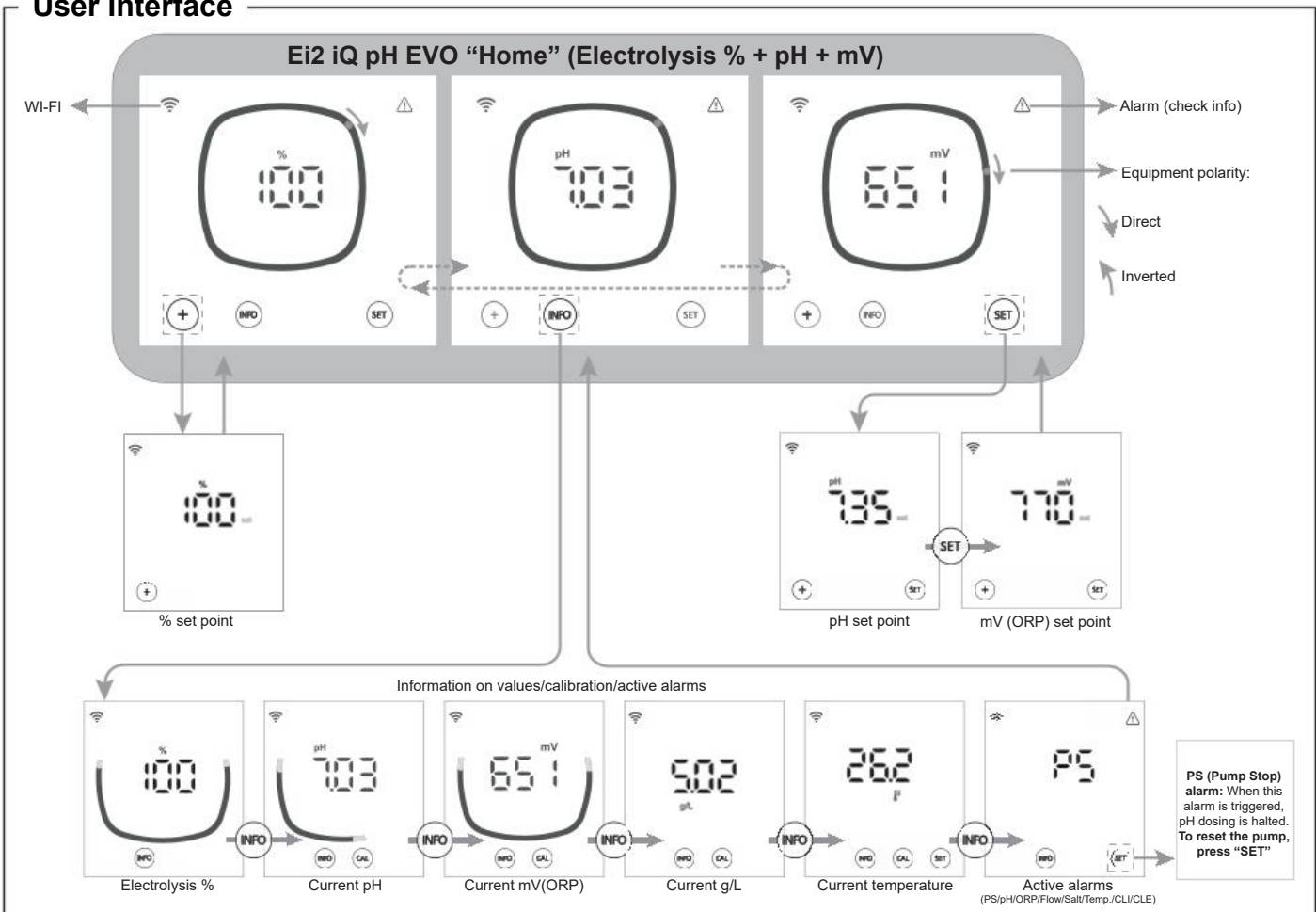
Inside view



Starting sequence, turning Wi-Fi and the pH/ORP drivers on/off



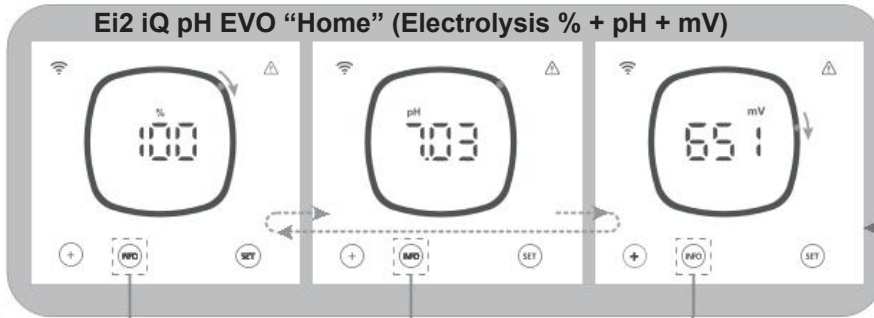
User Interface



Configuration Menu



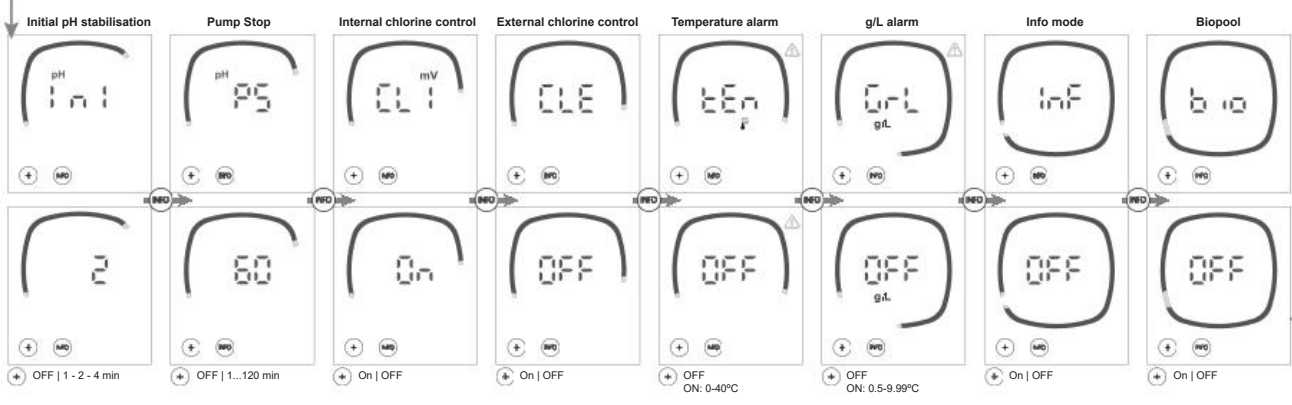
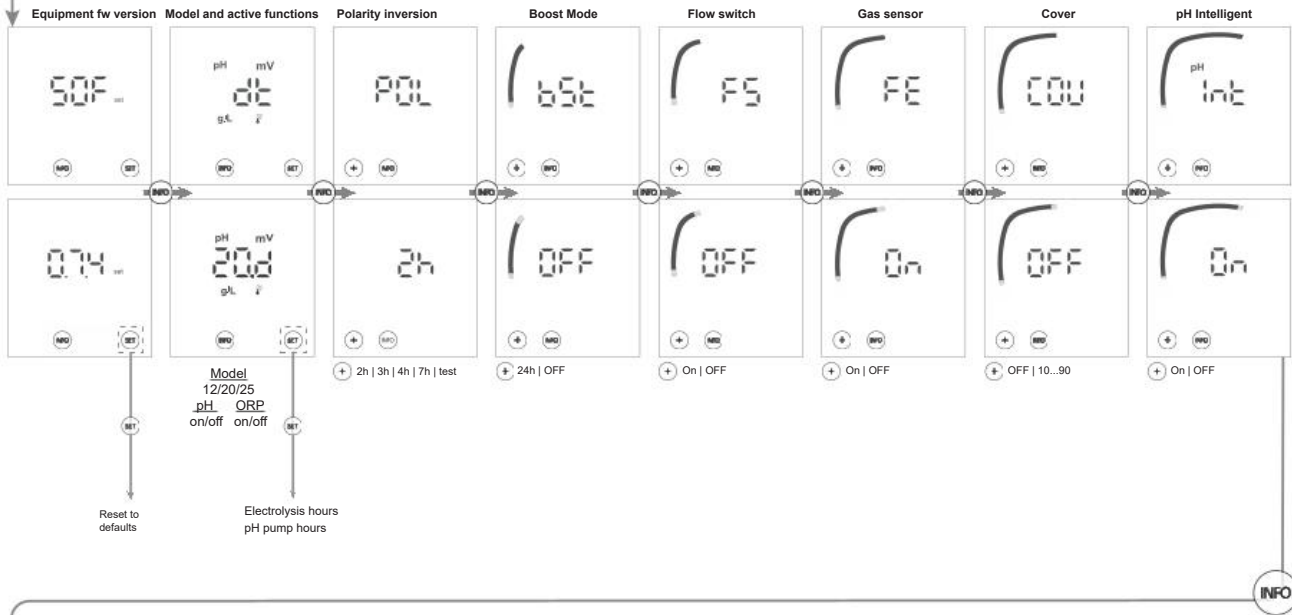
For further information on equipment settings, see full manual.



Configuration Alarms



Press "INFO" for 5 seconds until "CFG" is shown on the screen.



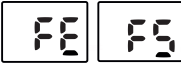


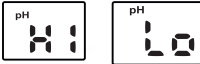
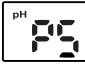

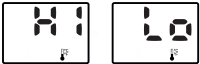
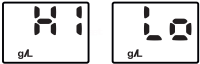
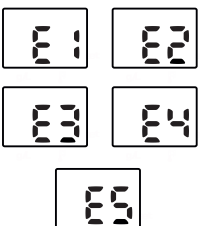
N.B.: Values shown on the screens are the default settings.

Connection with Fluidra Pool



- 1) Download and install the FLUIDRA POOL app.
- 2) Create a user account and set up the pool parameters.
- 3) Switch on pairing mode on the equipment ("+" & "INFO" simultaneously for 5 s).
- 4) In the FLUIDRA POOL app, press Add Equipment and follow the instructions.

Troubleshooting common problems

Message	Solution										
<p>Flow alarm</p> <ul style="list-style-type: none"> - Gas sensor (FE) - Flow sensor (FS) 	<p>The flow alarm will appear if the cell is not completely flooded (electrode gas sensor), or if there is no water flow (flow switch sensor).</p> <ul style="list-style-type: none"> • Check the pump, filter and backwash valve. Clean if necessary. 										
<p>STOP CL alarm</p> 	<p>The STOP Cl alarm may appear for one of three reasons:</p> <p>CLE = Stopped by an external controller.</p> <ul style="list-style-type: none"> • Check the external controller (ORP/ppm) and the reading. • If there is no external controller, disable the CLE function (CLE=off), or production will not start. <p>CLI = Stopped by the value of ClmV or Clppm in the device.</p> <ul style="list-style-type: none"> • Check the level of chlorine in the pool using a photometer or a test strip. • If necessary, clean and calibrate the ORP/ppm sensor. 										
<p>ORP (mV) – High alarm</p> 	<p>Low or high alarms appear if the reading is not within established safety limits.</p> <p>High ClmV safety limits cannot be changed.</p> <table border="1" data-bbox="794 645 1158 745"> <thead> <tr> <th>Mode</th> <th>ORP high alarm</th> </tr> </thead> <tbody> <tr> <td>Standard</td> <td>ClmV > 855</td> </tr> <tr> <td>Biopool</td> <td>ClmV > 855</td> </tr> </tbody> </table> <ul style="list-style-type: none"> • Check the level of chlorine in the pool using a photometer or a test strip. • If necessary, clean and calibrate the ORP sensor. • If the free chlorine value is low and the total chlorine value is high, reduce the chloramines by superchlorinating with sodium hypochlorite. • If chlorine ppm are high and the mV reading is low, check cyanuric acid concentration. Should the values be above 60 ppm, partially drain the pool. Increase daily filtering. • If the deviation is high during the calibration process (± 60 mV in the 470 mV solution), the equipment will report an error in the measurement, which could arise due to deterioration of the sensor or the calibration solution. 	Mode	ORP high alarm	Standard	ClmV > 855	Biopool	ClmV > 855				
Mode	ORP high alarm										
Standard	ClmV > 855										
Biopool	ClmV > 855										
<p>pH Low/High alarm</p> 	<p>Low or high alarms appear if the reading is not within established safety limits.</p> <p>These safety limits cannot be changed (if the high pH alarm appears, the pH pump will be switched off for safety reasons):</p> <table border="1" data-bbox="679 1014 1273 1115"> <thead> <tr> <th>Mode</th> <th>Low pH alarm</th> <th>High pH alarm</th> </tr> </thead> <tbody> <tr> <td>Standard</td> <td>pH < 6.5</td> <td>pH > 8.5</td> </tr> <tr> <td>Biopool</td> <td>pH < 6.0</td> <td>pH > 9.0</td> </tr> </tbody> </table> <ul style="list-style-type: none"> • Check the pH of the pool water using a photometer or a test strip. • If necessary, clean and calibrate the pH sensor. For further information on sensor maintenance, see sections 6.1, 6.2 and 8 of this manual. • The pH of the pool must be manually reduced to 8.45 (standard mode) or 8.95 (biopool mode) for the pump to start dosing again. • If the deviation is high during the calibration process (± 1 pH unit), the equipment will report an error in the measurement, which could arise due to deterioration of the sensor or the calibration solution. 	Mode	Low pH alarm	High pH alarm	Standard	pH < 6.5	pH > 8.5	Biopool	pH < 6.0	pH > 9.0	
Mode	Low pH alarm	High pH alarm									
Standard	pH < 6.5	pH > 8.5									
Biopool	pH < 6.0	pH > 9.0									
<p>PUMP-STOP alarm</p> 	<p>When the PUMP-STOP FUNCTION is activated (default 60 min), the system stops the dosing pump after a programmed time without having reached the pH set point.</p> <ul style="list-style-type: none"> • Check the pH of the pool using a photometer or a test strip. • If necessary, clean and calibrate the pH sensor. • Check and adjust the alkalinity of the water (consult your pool specialist). • Check the levels of acid in the container. 										
<p>Cell alarm</p> 	<p>The cell alarm will appear when the devices detect that the electrode is at the end of its life (passivated). Estimated lifetime of electrodes = 8,000–10,000 h</p> <ul style="list-style-type: none"> • If necessary, replace the electrode. 										
<p>Low/High TEMPERATURE sensor alarm</p> 	<ul style="list-style-type: none"> • The temperature alarm will appear when temperature values are outside the range set by the user. (The temperature alarm is OFF by default.) • When the water temperature is very low, the equipment will not reach 100% production due to low conductivity. 										
<p>Low/high g/L alarm</p> 	<ul style="list-style-type: none"> • Like the temperature alarm, this alarm will appear when the g/L salt values are outside the range set by the user. (The g/L alarm is OFF by default.) • Normally, when the g/L value is too low or too high, it will affect the output of the device due to the conductivity of the water. 										
<p>Alarms E1–E5</p> 	<table border="1" data-bbox="483 1765 1469 2051"> <tbody> <tr> <td>E1</td> <td>When the calibration time is longer than 5 min without user intervention</td> </tr> <tr> <td>E2</td> <td>When the deviation between readings during the calibration process is higher than the permissible range (e.g. faulty sensor) <ul style="list-style-type: none"> • Temperature: Deviation ± 20 °C • pH: Deviation ± 1 pH unit • ORP: Deviation ± 60 mV in 470 mV solution </td> </tr> <tr> <td>E3</td> <td>-</td> </tr> <tr> <td>E4</td> <td>Unable to calibrate T, fast pH and salinity (g/L) when filtering is OFF</td> </tr> <tr> <td>E5</td> <td>Triggered when calibration cannot be performed if: <ul style="list-style-type: none"> • Temperature: There is no NTC. • Salinity g/L: Production is below 30%. • pH/ORP: No driver, or system is initialising. </td> </tr> </tbody> </table>	E1	When the calibration time is longer than 5 min without user intervention	E2	When the deviation between readings during the calibration process is higher than the permissible range (e.g. faulty sensor) <ul style="list-style-type: none"> • Temperature: Deviation ± 20 °C • pH: Deviation ± 1 pH unit • ORP: Deviation ± 60 mV in 470 mV solution 	E3	-	E4	Unable to calibrate T, fast pH and salinity (g/L) when filtering is OFF	E5	Triggered when calibration cannot be performed if: <ul style="list-style-type: none"> • Temperature: There is no NTC. • Salinity g/L: Production is below 30%. • pH/ORP: No driver, or system is initialising.
E1	When the calibration time is longer than 5 min without user intervention										
E2	When the deviation between readings during the calibration process is higher than the permissible range (e.g. faulty sensor) <ul style="list-style-type: none"> • Temperature: Deviation ± 20 °C • pH: Deviation ± 1 pH unit • ORP: Deviation ± 60 mV in 470 mV solution 										
E3	-										
E4	Unable to calibrate T, fast pH and salinity (g/L) when filtering is OFF										
E5	Triggered when calibration cannot be performed if: <ul style="list-style-type: none"> • Temperature: There is no NTC. • Salinity g/L: Production is below 30%. • pH/ORP: No driver, or system is initialising. 										



AVERTISSEMENT

Le guide concis qui accompagne ce produit contient uniquement les informations essentielles sur les mesures de sécurité qui doivent être respectées lors de l'installation, de l'entretien et de la mise en service.

Le manuel complet peut être consulté et téléchargé sous forme de fichier PDF sur le site web suivant : <https://www.zodiac.com>. Toutes les opérations de montage, d'installation électrique et d'entretien doivent être effectuées par du personnel qualifié et autorisé, ayant suivi attentivement toutes les instructions d'installation et d'entretien.



Caractéristiques générales :

- Une fois votre système d'électrolyse au sel installé, il est nécessaire de dissoudre une quantité de sel dans l'eau. Le système d'électrolyse au sel se compose de deux éléments : une cellule d'électrolyse et une unité de contrôle. La cellule d'électrolyse contient un certain nombre de plaques en titane (électrodes), de sorte que lorsqu'un courant électrique y circule et que la solution saline les traverse, du chlore libre est généré.
- Le maintien d'un certain niveau de chlore dans l'eau de la piscine permet de garantir sa qualité sanitaire. Le système d'électrolyse au sel produit du chlore lorsque le système de filtration de la piscine (pompe et filtre) est en fonctionnement.
- L'unité de contrôle est équipée de plusieurs dispositifs de sécurité, qui s'activent en cas de fonctionnement anormal du système, et d'un microcontrôleur.
- Les systèmes d'électrolyse au sel sont dotés d'un système de nettoyage automatique des électrodes qui empêche la formation d'incrustations.

⚠ Consignes de sécurité et recommandations :

- Le montage et la manipulation doivent être effectués par un personnel dûment qualifié.
- Les normes en vigueur en matière de prévention d'accidents et d'installations électriques doivent être respectées.
- Dans l'installation, pour la mise hors tension de l'équipement, il convient d'intégrer un interrupteur ou un interrupteur automatique conforme aux normes CEI 60947-1 et CEI 60947-3 qui assure une coupure omnipolaire, directement connecté aux bornes d'alimentation et qui doit être équipé d'un dispositif de coupure de contact à tous ses pôles. Cet interrupteur permet une déconnexion totale en cas de surtension de catégorie III dans une zone qui respecte les prescriptions de sécurité de l'emplacement. L'interrupteur doit se trouver à proximité immédiate de l'équipement et doit être facilement accessible. En outre, il doit être identifié comme dispositif de mise hors tension de l'équipement.
- L'équipement doit être alimenté depuis un dispositif à courant différentiel-résiduel qui ne dépasse pas 30 mA (RDC). L'équipement doit être relié électriquement à la terre.
- L'installation doit être conforme à la norme IEC / HD 60364-7-702 et aux normes nationales applicables aux piscines.
- Le fabricant n'est en aucun cas responsable du montage, de l'installation ou de la mise en service de l'équipement, ni de toute autre manipulation ou incorporation de composants n'ayant pas été effectuée dans ses installations.
- Cet appareil n'est pas destiné à être utilisé par des personnes (et notamment des enfants) dont les capacités physiques, sensorielles ou mentales sont réduites ou qui manquent d'expérience ou des connaissances nécessaires, sauf si elles le font sous surveillance d'une personne responsable de leur sécurité ou que celle-ci leur a fourni des instructions concernant l'utilisation de l'appareil. Les enfants doivent être surveillés pour s'assurer qu'ils ne jouent pas avec l'appareil.
- Si le câble d'alimentation est endommagé, il doit être remplacé par le fabricant, son service après-vente ou par du personnel qualifié pour éviter tout danger.
- N'essayez pas de modifier l'unité de contrôle pour faire fonctionner le système à une autre tension.
- Assurez-vous d'effectuer correctement les connexions électriques afin d'éviter tout faux contact qui pourrait provoquer leur surchauffe.
- Avant de procéder à l'installation ou au remplacement d'un composant du système, assurez-vous d'abord d'avoir déconnecté ce dernier de l'alimentation électrique et qu'il n'y a pas d'eau circulant à l'intérieur. Utilisez exclusivement des pièces de rechange d'origine.
- Du fait que l'équipement génère de la chaleur, il est important de l'installer dans un endroit suffisamment aéré. Ne pas installer cet appareil à proximité de matériaux inflammables.
- Même si l'équipement a un niveau de protection IP. Il ne doit en aucun cas être installé dans des zones présentant un risque d'inondation.
- Cet équipement doit être connecté en permanence à l'alimentation en eau et ne doit pas être raccordé en utilisant un tuyau temporaire.
- Cet appareil est équipé d'un support de fixation ; se reporter aux instructions de montage.

Mise en marche

1. Vérifiez que le filtre est parfaitement propre et que l'eau de la piscine et l'installation ne contiennent pas de cuivre, de fer et d'algues, et que l'équipement de chauffage installé est compatible avec la présence de sel dans l'eau.
2. Équilibrez l'eau de la piscine. Cela permettra de garantir un traitement plus efficace avec une faible concentration de chlore libre dans l'eau, ainsi qu'une durée de vie plus longue des électrodes et une limitation de la formation de dépôts calcaires dans la piscine.
3. Le système a une plage de fonctionnement de 3,5 à 10 g/L, et un effort doit être fait pour maintenir le niveau optimal de sel recommandé de 4 g/L.
4. Avant de lancer le cycle de fonctionnement, déconnectez l'unité de contrôle et faites fonctionner la pompe de filtration pendant 24 heures pour assurer une dissolution complète du sel.
5. Ensuite, mettez le système d'électrolyse saline en marche, de sorte que le niveau de chlore libre soit maintenu dans les niveaux recommandés (0,5-2 ppm).
6. Compatible avec MagnaPool, voir le chapitre 2.8 du manuel.

Équilibre de la piscine

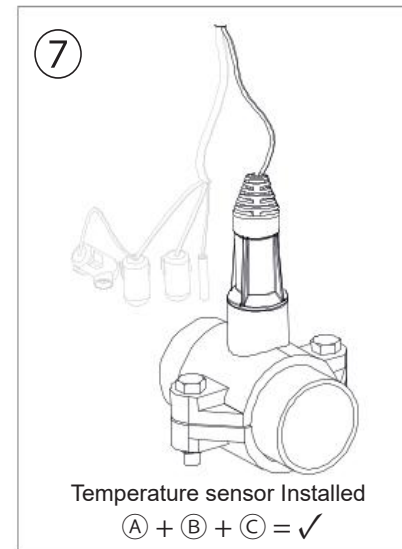
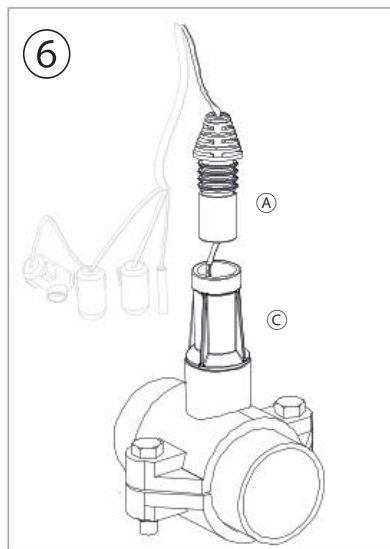
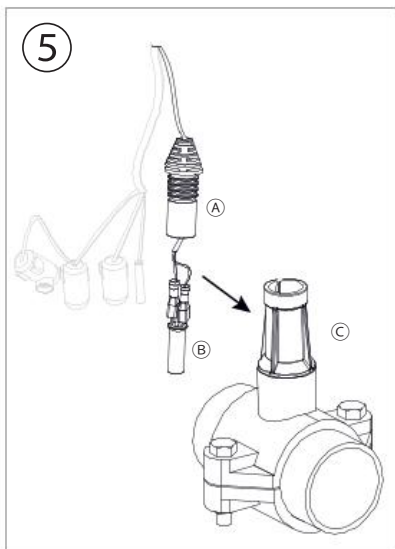
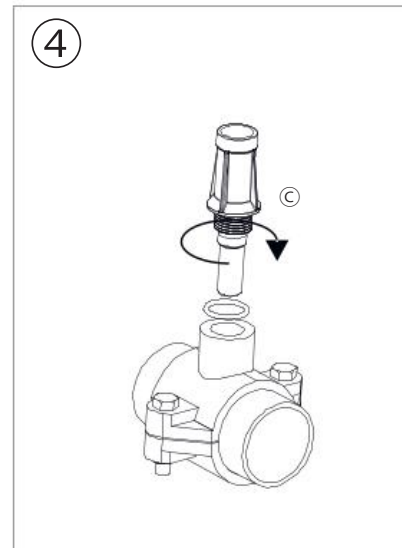
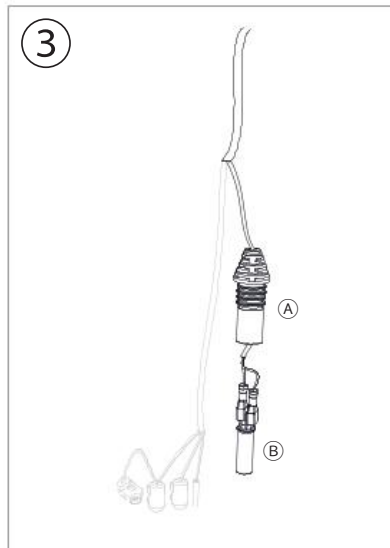
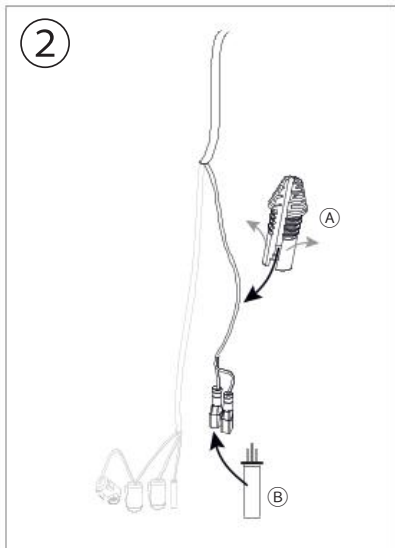
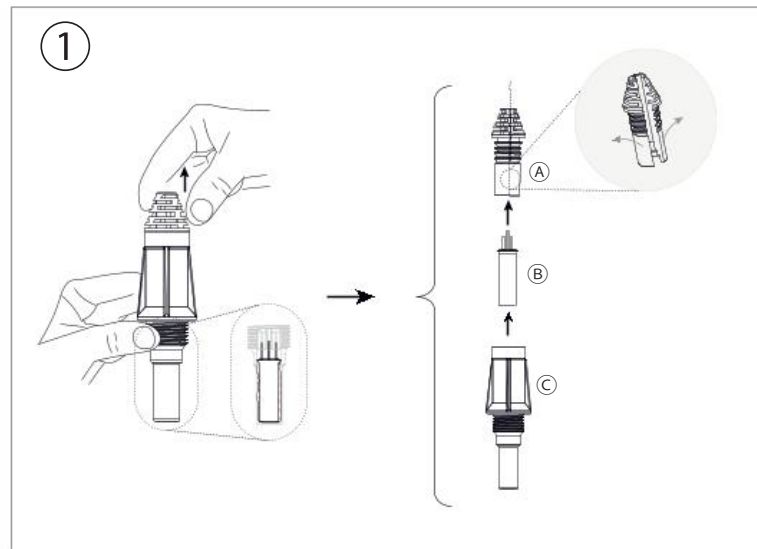
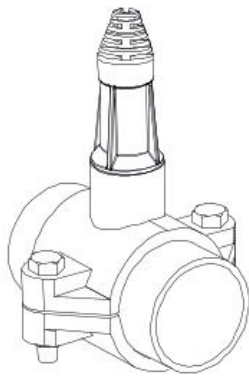
Maintenez les paramètres suivants pour l'eau :

- Alcalinité totale entre 80 et 150 mg/l (ppm)
- pH entre 7,2 et 7,6
- Chlore libre entre 0,5 et 2 mg/l (ppm)
- Stabilisateur de chlore 25-30 mg/l (ppm). Pour les piscines exposées à un fort ensoleillement ou soumises à une utilisation intensive, il est conseillé de maintenir un niveau de 25-30 mg/l de stabilisant (acide isocyanurique).

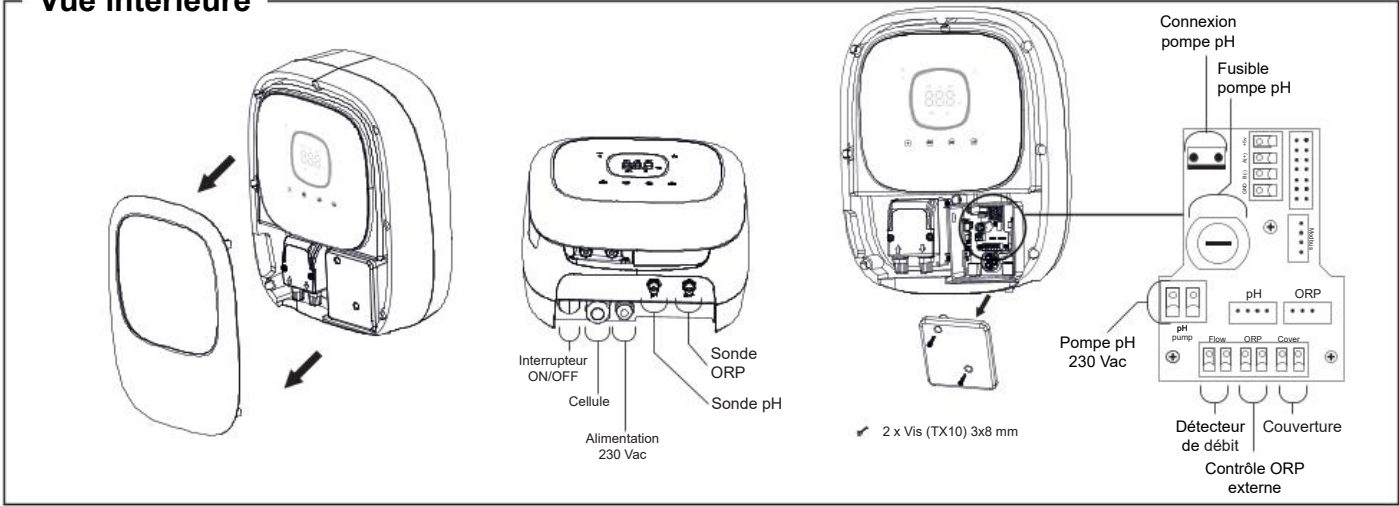


Consultez le manuel complet pour plus d'informations sur :
 - Installation et calibrage des sondes pH, ORP, ppm, g/l et température.
 - Entretien de la cellule d'électrolyse et des pompes péristaltiques.

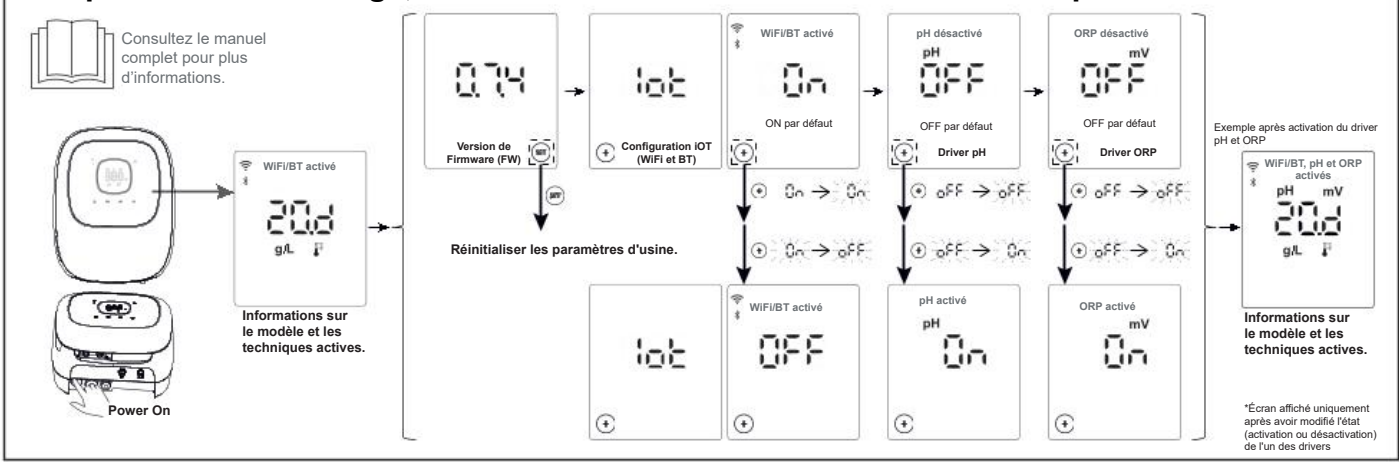
KIT Température: Composants et installation



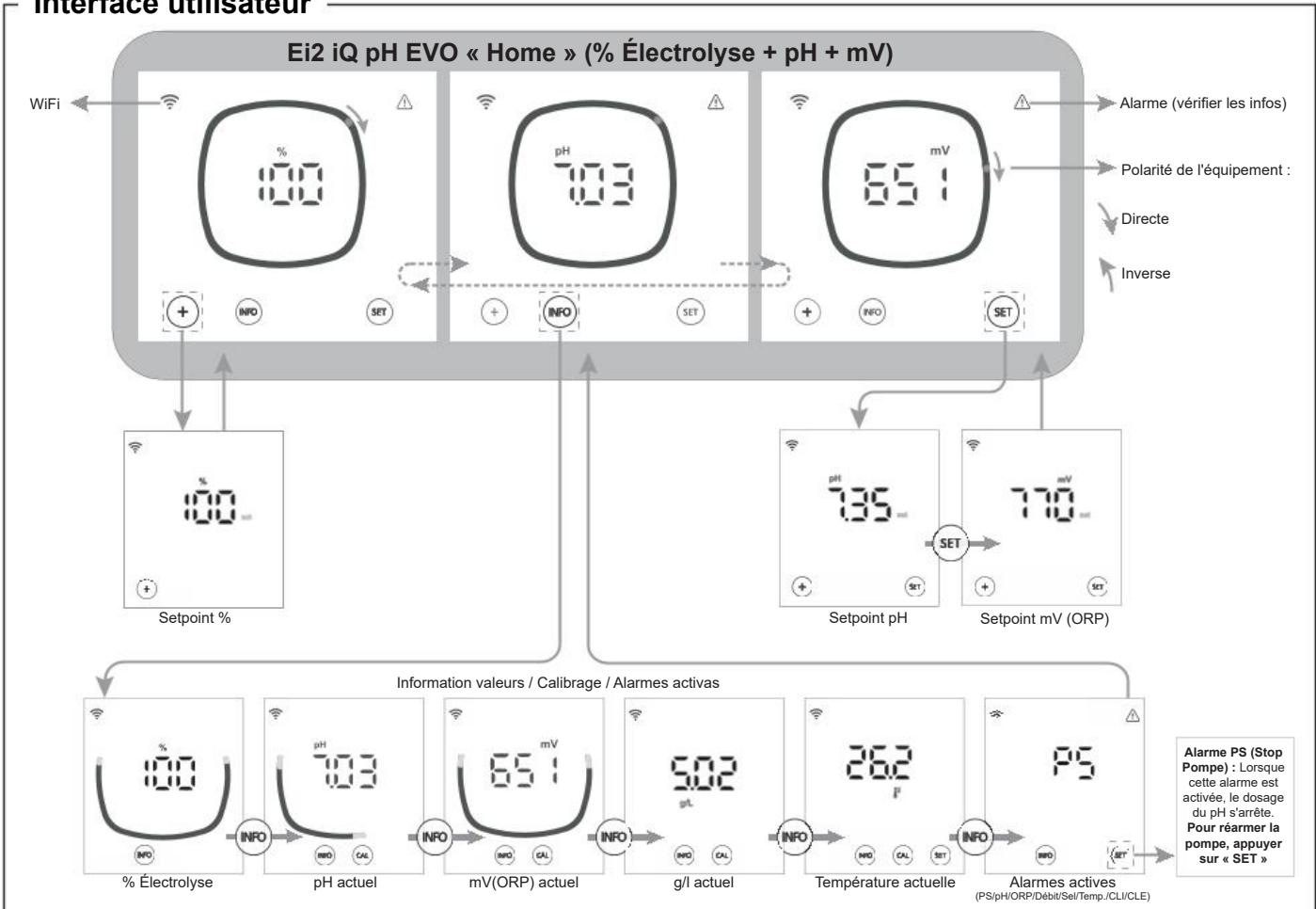
Vue intérieure



Séquence de démarrage, activation/désactivation du WiFi et drivers pH/ORP



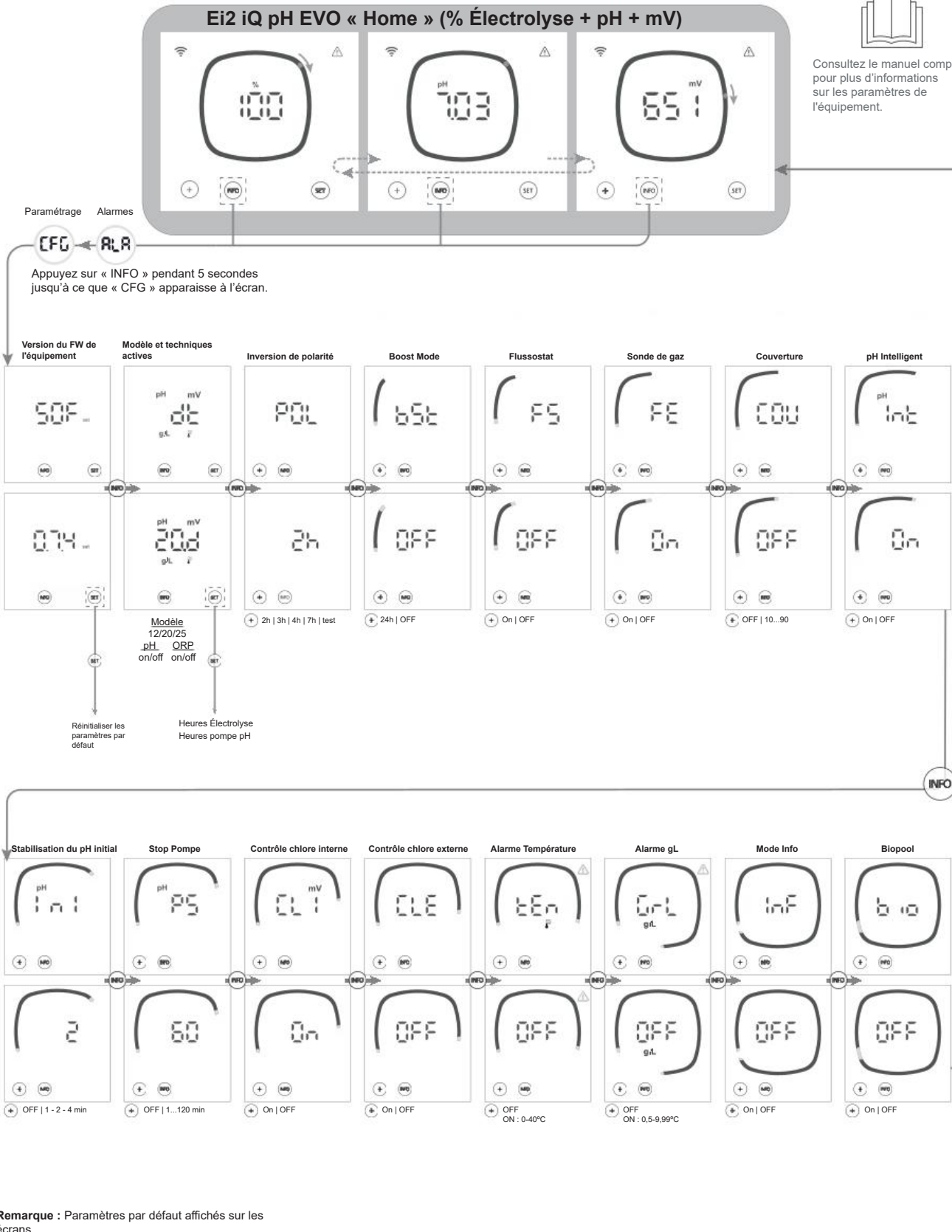
Interface utilisateur



Menu de configuration



Consultez le manuel complet pour plus d'informations sur les paramètres de l'équipement.


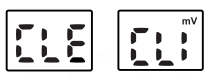
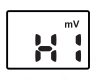
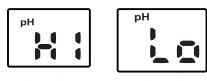

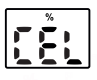
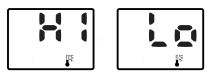
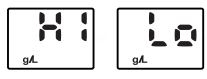
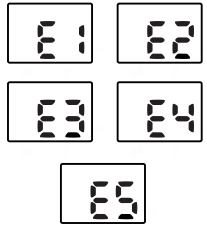


Connexion à Fluidra Pool



- 1) Télécharger et installer l'application FLUIDRA POOL.
- 2) Créer un compte utilisateur et configurer les paramètres de la piscine.
- 3) Activer le mode paireage sur l'appareil (appuyer sur « + » et « INFO » simultanément pendant 5 secondes).
- 4) Dans l'application FLUIDRA POOL, appuyer sur Ajouter un équipement et suivre les instructions.

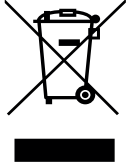
Résolution de problèmes fréquents

Message	Solution										
<p>Alarme de débit - Sonde de gaz (FE) - Sonde de débit (FS)</p> 	<p>L'alarme de débit apparaît lorsque la cellule n'est pas totalement immergée (sonde de gaz de l'électrode), ou en cas d'absence de débit d'eau (sonde flussostat).</p> <ul style="list-style-type: none"> Vérifiez la pompe, le filtre et la valve de lavage. Nettoyez si nécessaire. 										
<p>Alarme STOP CL</p> 	<p>L'alarme STOP CL peut apparaître pour l'une des trois raisons suivantes :</p> <p>CLE = arrêt provoqué par un contrôleur externe</p> <ul style="list-style-type: none"> Vérifiez le régulateur externe (ORP/ppm) et la lecture. Si aucun régulateur externe n'est installé, désactivez la fonction CLE (CLE=off) sinon la production ne démarrera pas. <p>CLI = arrêt provoqué par la valeur de ClmV ou Clppm sur l'appareil.</p> <ul style="list-style-type: none"> Vérifiez le niveau de chlore dans la piscine avec un photomètre ou une bandelette réactive. Nettoyez et calibrez la sonde ORP/ppm si nécessaire 										
<p>ORP(mV) - Alarme de niveau élevé</p> 	<p>Les alarmes de niveau faible et élevé apparaissent si la mesure est située en dehors des valeurs de sécurité établies.</p> <p>Les valeurs de sécurité ClmV élevé ne sont pas modifiables :</p> <table border="1" data-bbox="790 638 1157 750"> <thead> <tr> <th>Mode</th> <th>Alarme ORP de niveau élevé</th> </tr> </thead> <tbody> <tr> <td>Standard</td> <td>ClmV > 855</td> </tr> <tr> <td>Biopool</td> <td>ClmV > 855</td> </tr> </tbody> </table> <ul style="list-style-type: none"> Vérifiez le niveau de chlore dans la piscine avec un photomètre ou une bandelette réactive. Nettoyez et calibrez la sonde ORP si nécessaire. Si la valeur de chlore libre est faible et la valeur de chlore total est élevée, effectuez un chlore choc (avec de l'hypochlorite de sodium) pour réduire les chloramines. - Si le ppm de chlore est élevé et la lecture en mV est faible, vérifiez la concentration d'acide cyanurique. Si des valeurs supérieures à 60 ppm sont obtenues, videz partiellement la piscine. Augmentez la filtration quotidienne. Si pendant de la procédure de calibrage, l'écart est élevé (± 60 mV dans la solution de 470 mV), l'équipement signalera une erreur de mesure, due à une possible dégradation de la sonde ou de la solution de calibrage. 	Mode	Alarme ORP de niveau élevé	Standard	ClmV > 855	Biopool	ClmV > 855				
Mode	Alarme ORP de niveau élevé										
Standard	ClmV > 855										
Biopool	ClmV > 855										
<p>Alarme de pH faible/élevé</p> 	<p>Les alarmes de niveau faible et élevé apparaissent si la mesure est située en dehors des valeurs de sécurité établies.</p> <p>Ces valeurs de sécurité ne sont pas modifiables (si l'alarme de pH élevé apparaît, la pompe de pH s'arrête par sécurité) :</p> <table border="1" data-bbox="678 1008 1268 1120"> <thead> <tr> <th>Mode</th> <th>Alarme de pH faible</th> <th>Alarme de pH élevé</th> </tr> </thead> <tbody> <tr> <td>Standard</td> <td>pH < 6,5</td> <td>pH > 8,5</td> </tr> <tr> <td>Biopool</td> <td>pH < 6,0</td> <td>pH > 9,0</td> </tr> </tbody> </table> <ul style="list-style-type: none"> Vérifiez le niveau de pH dans la piscine avec un photomètre ou une bandelette réactive. Nettoyez et calibrez la sonde pH si nécessaire. Consultez les sections 6.1 - 6.2 et 8 du manuel pour plus d'informations sur l'entretien des sondes. Le pH de la piscine doit être réduit manuellement à 8,45 (mode standard) ou 8,95 (mode Biopool) pour que la pompe réeffectue le dosage. Si pendant de la procédure de calibrage, l'écart est élevé (± 1 unité de pH), l'équipement signalera une erreur de mesure, due à une possible dégradation de la sonde ou de la solution de calibrage. 	Mode	Alarme de pH faible	Alarme de pH élevé	Standard	pH < 6,5	pH > 8,5	Biopool	pH < 6,0	pH > 9,0	
Mode	Alarme de pH faible	Alarme de pH élevé									
Standard	pH < 6,5	pH > 8,5									
Biopool	pH < 6,0	pH > 9,0									
<p>Alarme STOP POMPE</p> 	<p>Lorsque la FONCTION STOP POMPE est activée (par défaut 60 min), le système arrête la pompe de dosage après un temps programmé sans que la valeur du point de consigne du pH ait été atteinte.</p> <ul style="list-style-type: none"> Vérifiez la valeur du pH dans la piscine avec un photomètre ou une bandelette réactive. Nettoyez et calibrez la sonde pH si nécessaire. Vérifiez et ajustez l'alcalinité de l'eau (consultez votre spécialiste piscine). Vérifiez les niveaux d'acide dans le bidon. 										
<p>Alarme de la cellule</p> 	<p>L'alarme de la cellule apparaît lorsque les dispositifs détectent que l'électrode est en fin de vie (passivité). Durée de vie utile estimée des électrodes = 8 000 - 10 000 heures</p> <ul style="list-style-type: none"> Remplacer l'électrode si nécessaire 										
<p>Alarme Sonde de TEMPÉRATURE basse/élevée</p> 	<ul style="list-style-type: none"> L'alarme de température apparaît lorsque les valeurs de température se situent en dehors de la plage de valeurs configurée par l'utilisateur. (Alarme de température désactivée par défaut) Lorsque la température de l'eau est très basse, l'équipement n'atteint pas 100 % de la production en raison d'une faible conductivité. 										
<p>Alarme de g/l faible/élevé</p> 	<ul style="list-style-type: none"> Comme pour l'alarme de température, cette alarme apparaît lorsque les valeurs de g/l de sel se situent en dehors des valeurs configurées par l'utilisateur. (Alarme g/l désactivée par défaut) Normalement, lorsque la valeur de g/l est très faible ou élevée, la production de l'appareil est affectée, en raison de la conductivité de l'eau. 										
<p>Alarmes E1...E5</p> 	<table border="1"> <tbody> <tr> <td>E1</td> <td>Lorsque le temps de calibrage est supérieur à 5 minutes sans intervention de l'utilisateur</td> </tr> <tr> <td>E2</td> <td>Lorsque l'écart entre les lectures pendant le processus de calibrage est supérieur à la plage autorisée (ex : sonde défectueuse) <ul style="list-style-type: none"> Température : écart de ± 20 °C pH : écart de ± 1 unité de pH ORP : Écart de ± 60 mV dans la solution de 470 mV </td> </tr> <tr> <td>E3</td> <td>-</td> </tr> <tr> <td>E4</td> <td>Impossible de calibrer la température, le pH rapide et la salinité (g/l) lorsque la filtration est désactivée</td> </tr> <tr> <td>E5</td> <td>Activé lorsque le calibrage ne peut pas être effectué si : <ul style="list-style-type: none"> Température : absence de thermistance NTC. Salinité g/l : la production est inférieure à 30 %. pH/ORP : Absence de driver ou le système est en cours d'initialisation. </td> </tr> </tbody> </table>	E1	Lorsque le temps de calibrage est supérieur à 5 minutes sans intervention de l'utilisateur	E2	Lorsque l'écart entre les lectures pendant le processus de calibrage est supérieur à la plage autorisée (ex : sonde défectueuse) <ul style="list-style-type: none"> Température : écart de ± 20 °C pH : écart de ± 1 unité de pH ORP : Écart de ± 60 mV dans la solution de 470 mV 	E3	-	E4	Impossible de calibrer la température, le pH rapide et la salinité (g/l) lorsque la filtration est désactivée	E5	Activé lorsque le calibrage ne peut pas être effectué si : <ul style="list-style-type: none"> Température : absence de thermistance NTC. Salinité g/l : la production est inférieure à 30 %. pH/ORP : Absence de driver ou le système est en cours d'initialisation.
E1	Lorsque le temps de calibrage est supérieur à 5 minutes sans intervention de l'utilisateur										
E2	Lorsque l'écart entre les lectures pendant le processus de calibrage est supérieur à la plage autorisée (ex : sonde défectueuse) <ul style="list-style-type: none"> Température : écart de ± 20 °C pH : écart de ± 1 unité de pH ORP : Écart de ± 60 mV dans la solution de 470 mV 										
E3	-										
E4	Impossible de calibrer la température, le pH rapide et la salinité (g/l) lorsque la filtration est désactivée										
E5	Activé lorsque le calibrage ne peut pas être effectué si : <ul style="list-style-type: none"> Température : absence de thermistance NTC. Salinité g/l : la production est inférieure à 30 %. pH/ORP : Absence de driver ou le système est en cours d'initialisation. 										



El breve manual que acompaña a este producto contiene únicamente la información básica sobre las medidas de seguridad que se deben implementar durante la instalación, el mantenimiento y el arranque.

El manual completo se puede consultar y descargar como archivo PDF en el siguiente sitio web: <https://www.zodiac.com>. Todas las tareas de montaje, instalación eléctrica y mantenimiento las debe llevar a cabo el personal cualificado y autorizado que haya leído detenidamente todas las instrucciones de instalación y servicio.



Características generales:

- Una vez instalado su sistema de Electrolisis de Sal es necesario disolver una cantidad de sal en el agua. El sistema de Electrolisis de Sal consta de dos elementos: una célula de electrolisis y una unidad de control. La célula de electrolisis contiene un número determinado de placas de titanio (electrodos), de forma que cuando se hace circular a través de los mismos una corriente eléctrica y la solución salina pasa a su través, se produce cloro libre.
- El mantenimiento de un cierto nivel de cloro en el agua de la piscina, garantizará su calidad sanitaria. El sistema de Electrolisis de Sal fabricará cloro cuando el sistema de filtración de la piscina (bomba y filtro) estén en funcionamiento.
- La unidad de control dispone de varios dispositivos de seguridad, los cuales se activan en caso de un funcionamiento anómalo del sistema, así como de un microcontrolador de control.
- Los sistemas de Electrolisis de Sal disponen de un sistema de limpieza automático de los electrodos que evita la formación de incrustaciones en los mismos.

Advertencias de seguridad y recomendaciones:

- El montaje o manipulación deben ser efectuados por personal debidamente cualificado.
- Se deben respetar las normas vigentes para la prevención de accidentes, así como para las instalaciones eléctricas.
- En la instalación se deberá tener presente que para la desconexión eléctrica del equipo es preciso incorporar un interruptor o interruptor automático que cumpla con las normas IEC 60947-1 y IEC 60947-3 que asegure el corte omnipolar, directamente conectado a los bornes de alimentación y debe tener una separación de contacto en todos sus polos, que suministre desconexión total bajo condiciones de sobretensión de categoría III, en una zona que cumpla con las prescripciones de seguridad del emplazamiento. El interruptor debe situarse en la proximidad inmediata del equipo y debe ser fácilmente accesible. Además, éste se debe marcar como elemento de desconexión del equipo.
- El equipo debe alimentarse desde un dispositivo de corriente residual, que no exceda de 30mA (RDC). El equipo debe estar conectado eléctricamente a tierra.
- La instalación debe cumplir con la norma IEC / HD 60364-7-702 y las normas nacionales aplicables a las piscinas.
- El fabricante en ningún caso se responsabiliza del montaje, instalación o puesta en funcionamiento, así como de cualquier manipulación o incorporación de componentes que no se hayan llevado a cabo en sus instalaciones.
- Este aparato no está destinado para ser usado por personas (incluidos los niños) cuyas capacidades físicas, sensoriales o mentales estén reducidas, o con falta de experiencia o conocimiento, salvo si han recibido supervisión o instrucción de con respecto al uso del aparato por una persona responsable de su seguridad. Los niños deberían ser supervisados para asegurar que no juegan con el aparato.
- Si el cable de alimentación está dañado, debe ser sustituido por el fabricante, por su servicio posventa o por personal cualificado similar con el fin de evitar un peligro.
- No intente alterar la unidad de control para operar a otro voltaje.
- Asegúrese de realizar conexiones eléctricas firmes para evitar falsos contactos, con el consiguiente recalentamiento de los mismos.
- Antes de proceder a la instalación o sustitución de cualquier componente del sistema asegúrese que éste ha quedado previamente desconectado de la tensión de alimentación y que no hay flujo de agua a su través. Utilice exclusivamente repuestos originales.
- Debido a que el equipo genera calor, es importante instalarlo en un lugar suficientemente ventilado. Procurar no instalarlo cerca de materiales inflamables.
- Aunque el equipo disponga de un grado de protección IP. En ningún caso, debe ser instalado en zonas expuestas a inundaciones.
- Este equipo está previsto que esté conectado permanentemente al suministro de agua y no será conectado mediante una manguera provisional.
- Este aparato dispone de un soporte para su fijación, véanse las instrucciones de montaje.

Puesta en marcha

1. Asegurarse que el filtro esté limpio al 100% y que el agua de la piscina y la instalación no contenga cobre, hierro y algas, así como que cualquier equipo de calefacción instalado sea compatible con la presencia de sal en el agua.
2. Equilibrar el agua de la piscina. Esto nos permitirá obtener un tratamiento más eficiente con una menor concentración de cloro libre en el agua, así como un funcionamiento más prolongado de los electrodos unido a una menor formación de depósitos calcáreos en la piscina.
3. El sistema tiene un rango de funcionamiento de 3.5-10 g/L, y se debe hacer un esfuerzo por mantener el nivel óptimo de sal recomendado de 4 g/L.
4. Antes de iniciar el ciclo de trabajo, desconectar la unidad de control y poner la bomba de filtración en marcha durante 24 horas para asegurar la completa disolución de la sal.
5. A continuación, poner en marcha el sistema de electrolisis salina, de forma que se mantenga el nivel de cloro libre dentro de los niveles recomendados (0.5-2 ppm).
6. Compatible con MagnaPool, consulte el capítulo 2.8 del manual.

Equilibrio de la piscina

Mantenga los siguientes parámetros del agua:

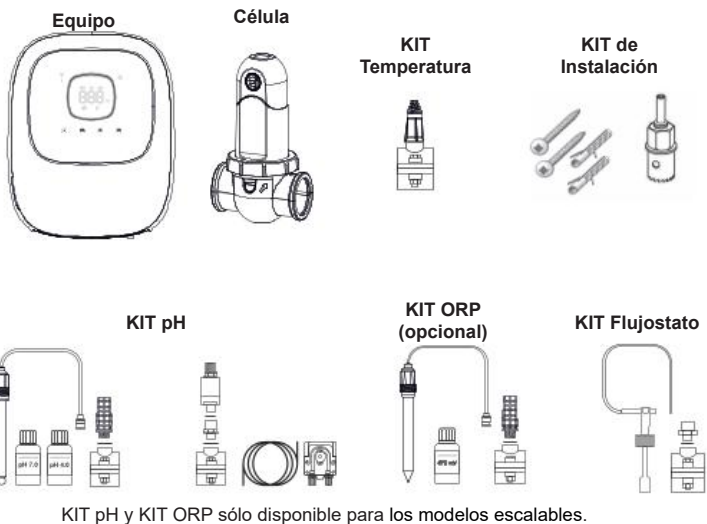
- Alcalinidad total entre 80 y 150 mg/L (ppm)
- pH entre 7.2 y 7.6
- Cloro libre entre 0.5 y 2 mg/L (ppm)
- Estabilizador de cloro 25-30 mg/L (ppm). En piscinas con fuerte insolación o utilización intensiva, es aconsejable mantener un nivel de 25-30 mg/L de estabilizante (ácido isocianúrico).



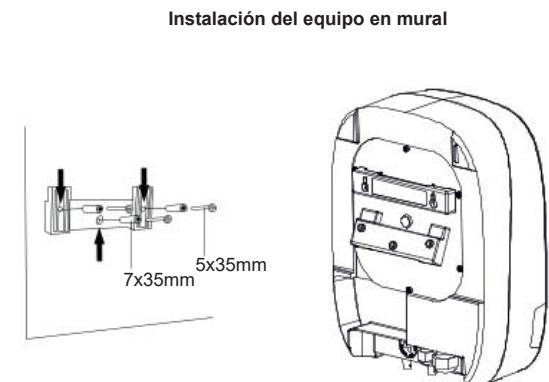
Consulte el manual completo para obtener más información sobre:

- Instalación y calibrado de sensores de pH, ORP, g/L y temperatura.
- Mantenimiento de la célula de electrólisis y bombas peristálticas.

Componentes e instalación



KIT pH y KIT ORP sólo disponible para los modelos escalables.



ATENCIÓN: Instalar siempre de forma vertical sobre una superficie rígida y en un lugar seco y ventilado. Se recomienda la instalación del equipo en lugares que no estén a la intemperie. Evite la formación de ambientes corrosivos.



Consulte el manual completo para obtener más información sobre la instalación y el cableado.

Conexión de la célula de electrolisis

1. La célula debe instalarse en un tubo horizontal para garantizar que el flujo de agua que pasa a través de él, con un ángulo o una pendiente que no supere los 30° (A)
2. Respete el sentido de circulación del agua. (B)
3. Desmonte la célula. (C)
4. Coloque el adaptador de tubo EU (DN50 mm) al revés en el emplazamiento deseado de la tubería (D). Con la ayuda de una broca o punzón marque la ubicación de los agujeros a perforar en el tubo, retire el adaptador y perforo los agujeros con la ayuda de la corona suministrada.
5. Enganche las partes inferiores y superiores del collarín de la célula en el tubo a la altura de los agujeros respetando el sentido del agua (C).
6. Posicione la parte alta transparente de la célula (presencia de un indicador de posición), coloque el anillo de apriete en el roscado del collarín superior alineando el punto (E) del collarín con la flecha del collarín (F) y luego apriételo bien con la mano (**sin utilizar herramientas**).
7. Conecte el cable de alimentación eléctrica de la célula respetando los códigos de colores de los cables (conector(es) rojo(s), negro y azul) y luego ponga el tapón de protección.

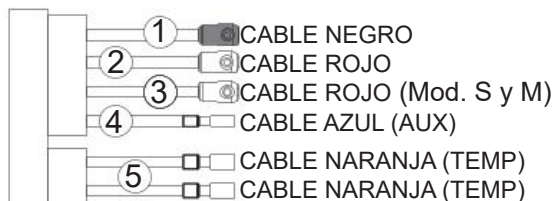
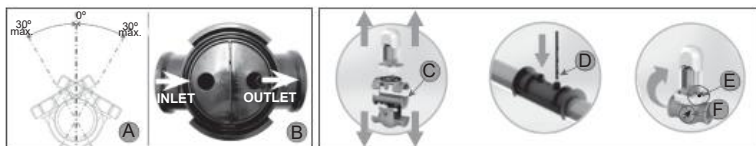
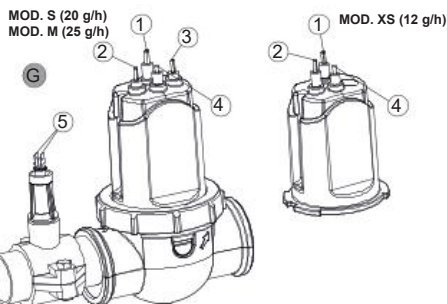
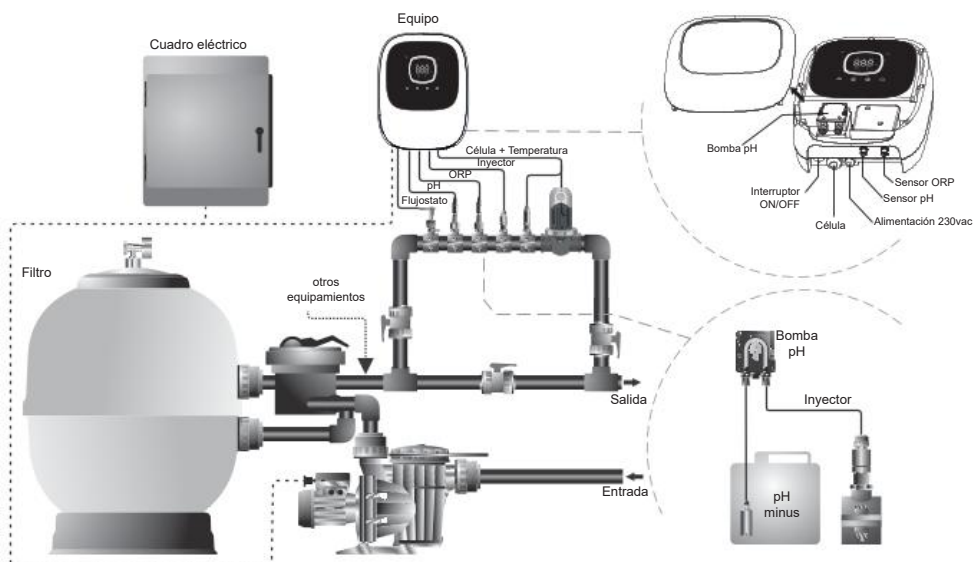
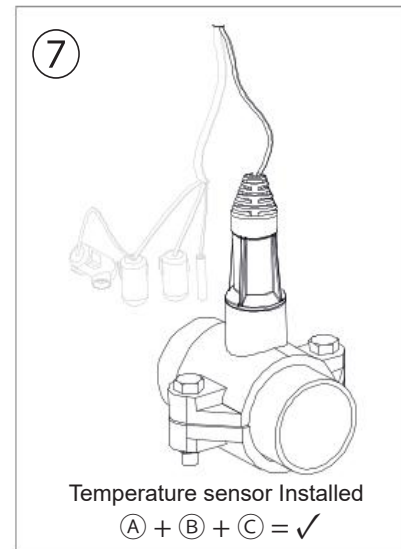
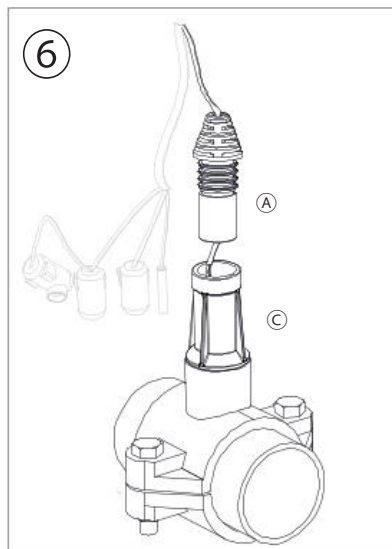
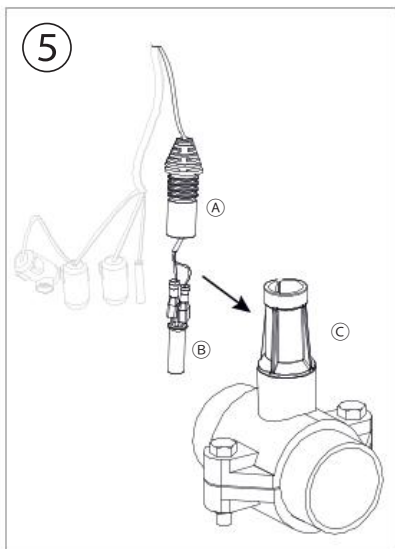
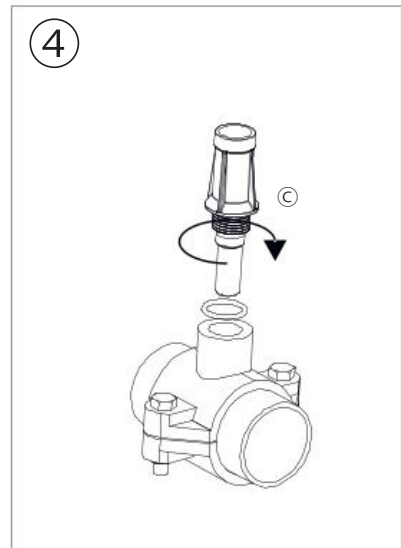
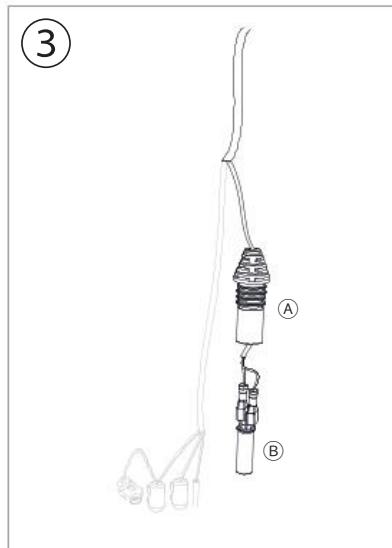
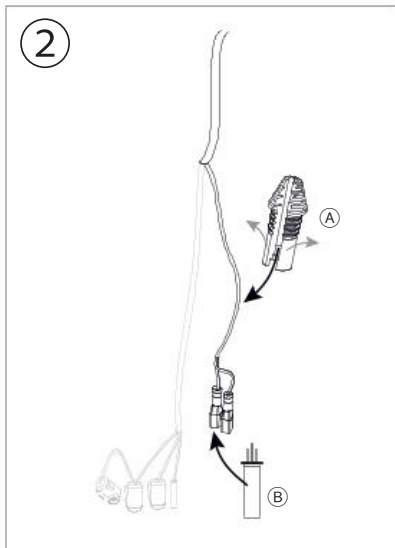
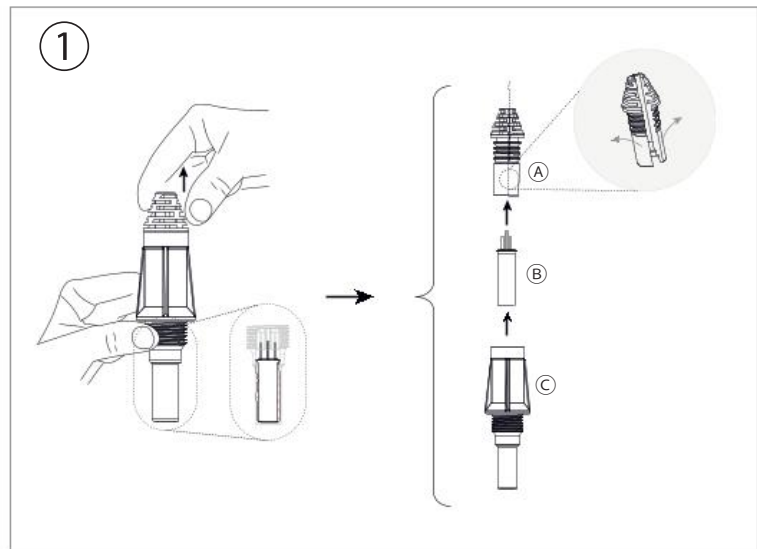
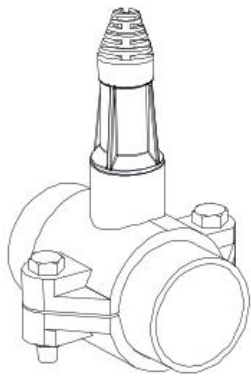


Diagrama de instalación

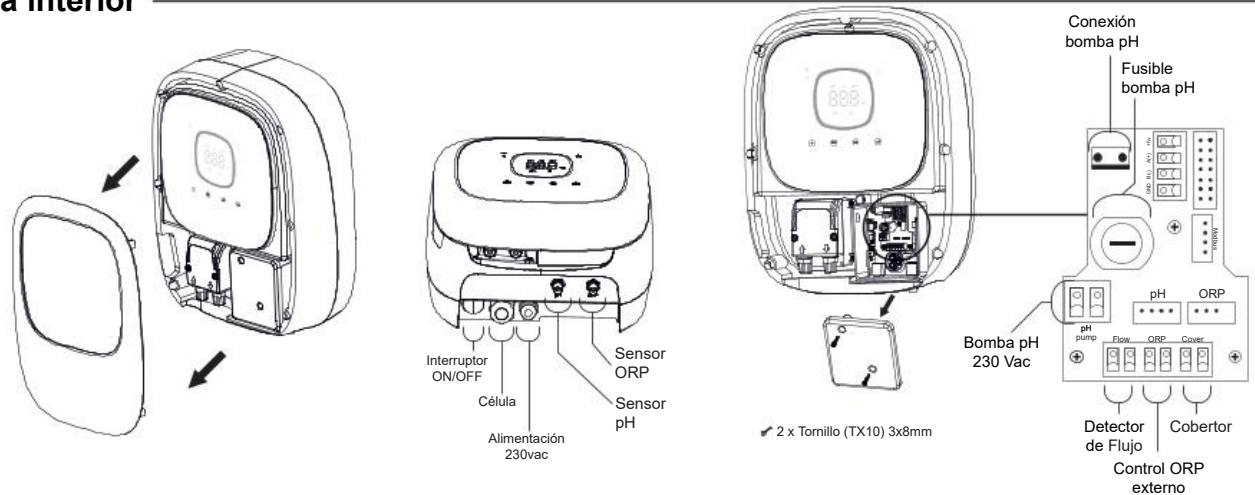


Nota: Este esquema representa una instalación de un modelo E12 IQ pH EVO con todas las opciones instaladas. Este esquema puede variar dependiendo del modelo adquirido.

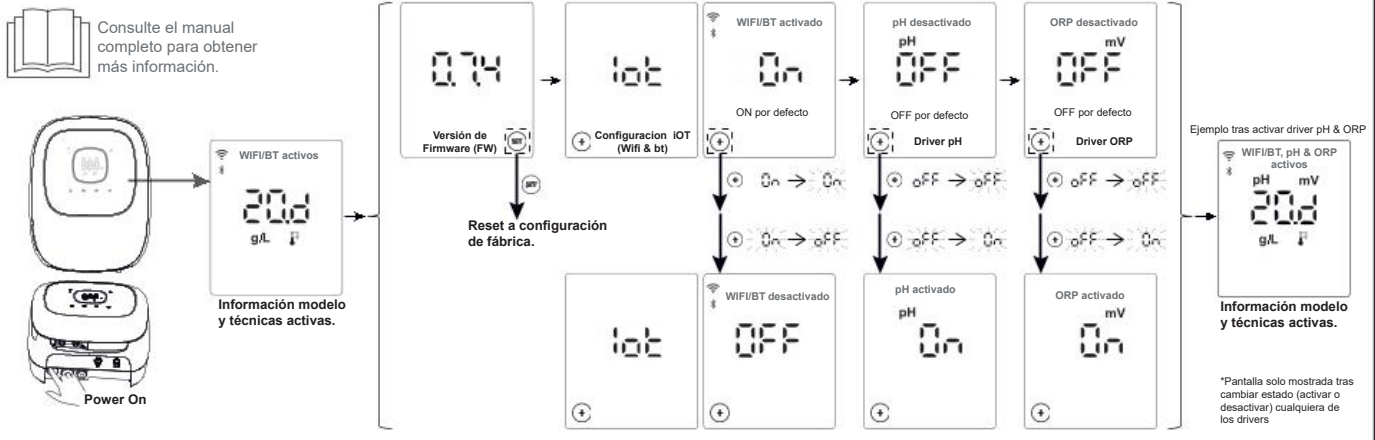
KIT Temperatura: Componentes e instalación



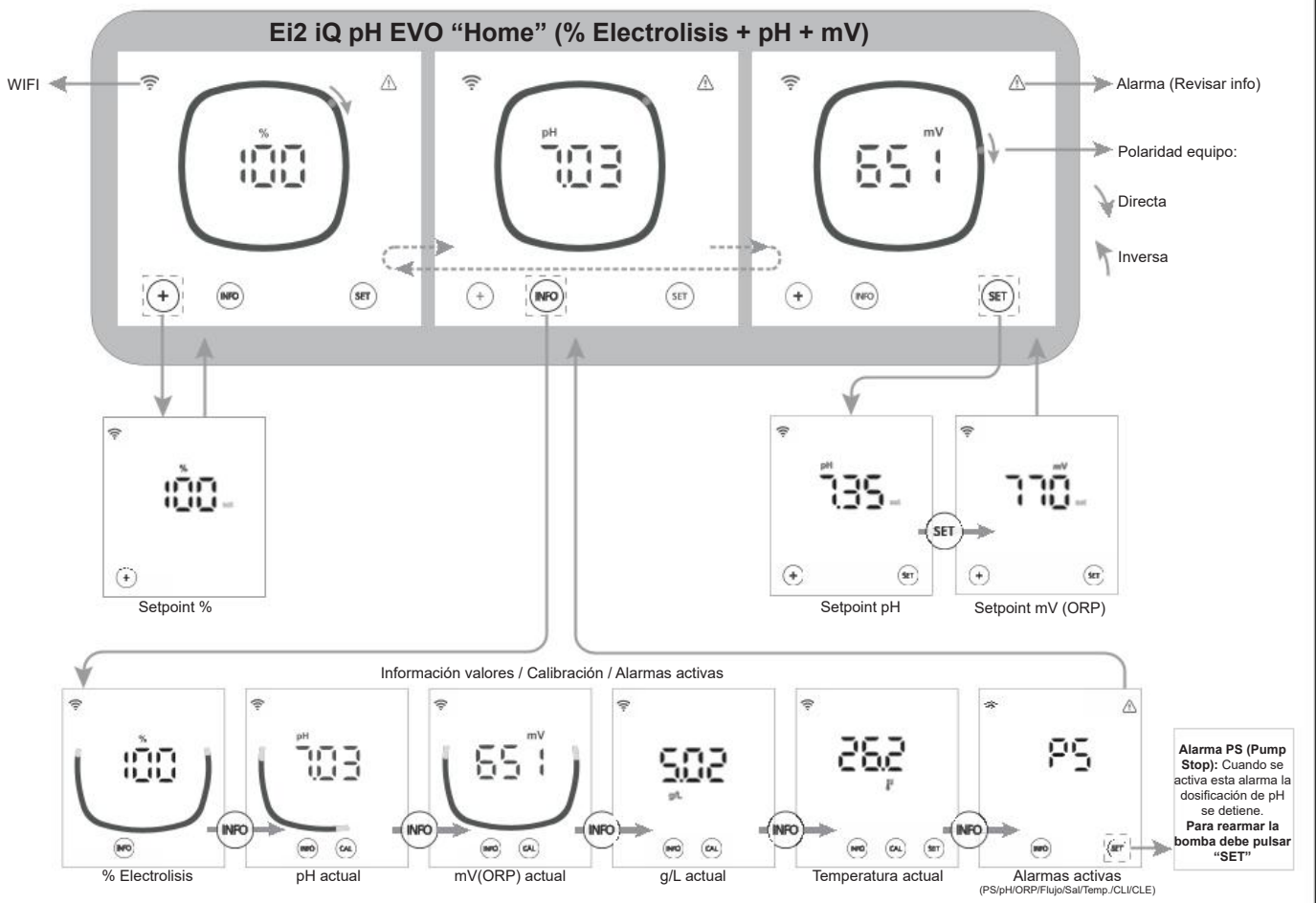
Vista interior



Secuencia de inicio, activación/desactivación de WIFI & drivers pH/ORP



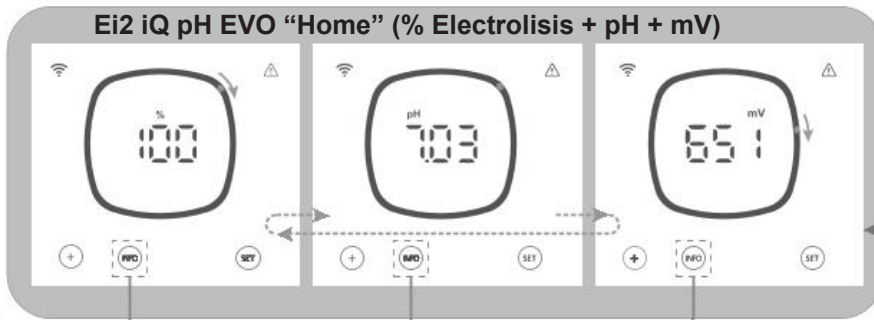
Interfaz de usuario



Menú de configuración



Consulte el manual completo para obtener más información sobre las configuraciones del equipo.



Configuración Alarms



Presionar "INFO" 5 segundos hasta que se muestre "CFG" en pantalla.

Versión fw equipo	Modelo y técnicas activas	Inversión de polaridad	Modo Boost	Flujostato	Flujo Electrodo	Cobertor	pH Intelligent
50F	pH mV g/L i	POL	65t	FS	FE	COU	pH Int
074	pH mV g/L i	2h	OFF	OFF	On	OFF	On
	Modelo 12/20/25 pH ORP on/off on/off	2h 3h 4h 7h test	24h OFF	On OFF	On OFF	OFF 10...90	On OFF

Reset a configuración por defecto

Horas Electrolisis
Horas bomba pH

INFO

Estabilización pH inicial	Pump Stop	Control cloro interno	Control cloro externo	Alarma Temperatura	Alarma gL	Modo Info	Biopool
pH Int	pH PS	CLT	CLE	tEn	GrL	Inf	bio
2	60	On	OFF	OFF	OFF	OFF	OFF
OFF 1 - 2 - 4 min	OFF 1...120 min	On OFF	On OFF	OFF ON : 0-40°C	OFF ON : 0,5-9,99°C	On OFF	On OFF


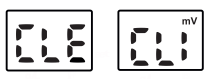
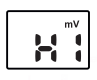
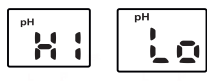

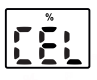
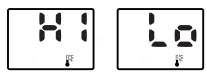
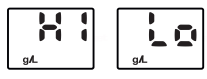
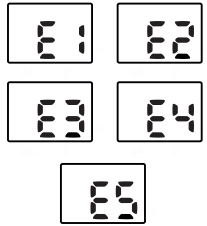
Nota: Configuración por defecto mostrada en pantallas

Conexión a Fluidra Pool



- 1) Descargar e instalar app FLUIDRA POOL.
- 2) Crear una cuenta de usuario y configurar parámetros de la piscina.
- 3) Activar modo pairing en el equipo ("+" & "INFO" simultáneamente durante 5s).
- 4) En la aplicación FLUIDRA POOL, pulsar sobre añadir equipo y seguir las instrucciones.

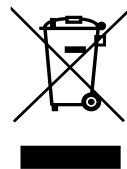
Resolución de problemas frecuentes

Mensaje	Solución										
<p>Alarma de Flujo</p> <ul style="list-style-type: none"> - Sensor de Gas (FE) - Sensor de flujo (FS) 	<p>La alarma de flujo aparecerá por no estar completamente inundada la célula (Sensor de gas del electrodo), o por no haber flujo de agua (Sensor de flujo).</p> <ul style="list-style-type: none"> • Revise la bomba, el filtro y la válvula de lavado. Limpie si es necesario. 										
<p>Alarma STOP CL</p> 	<p>La alarma STOP Cl puede aparecer por una de estas 3 razones:</p> <ul style="list-style-type: none"> • CLE= Detenido por un controlador externo • Revisar el regulador externo (ORP/ppm) y comprobar la lectura. • Si no dispone de un regulador externo deshabilitar la función CLE (CLE=off) o la producción no se iniciará. <p>CLl= Detenido por el valor de ClmV o Clppm en el aparato.</p> <ul style="list-style-type: none"> • Verifique el nivel de cloro en la piscina con un fotómetro o una tira reactiva. • Limpie y calibre el sensor de ORP/ppm de ser necesario 										
<p>ORP(mV) - Alarma Alto</p> 	<p>Las alarmas de bajo y alto aparecen si la medida está fuera de los valores de seguridad establecidos.</p> <p>Los valores de seguridad ClmV alto no son modificables:</p> <table border="1" data-bbox="790 638 1157 750"> <thead> <tr> <th>Modo</th> <th>Alarma de ORP Alto</th> </tr> </thead> <tbody> <tr> <td>Estándar</td> <td>ClmV > 855</td> </tr> <tr> <td>Biopool</td> <td>ClmV > 855</td> </tr> </tbody> </table> <ul style="list-style-type: none"> • Verifique el nivel de cloro en la piscina con un fotómetro o una tira reactiva. • Limpie y calibre el sensor de ORP de ser necesario. • Si tiene un valor bajo de cloro libre y un valor alto de cloro total realice una cloración de choque (con hipoclorito de sodio) para reducir las cloraminas. • En caso de que los ppm de cloro sean elevados y la lectura de mV sea baja, revise la concentración de ácido cianúrico. En caso de obtener valores superiores a 60 ppm vaciar parcialmente la piscina. Aumente la filtración diaria. • Si durante el proceso de calibrado la desviación es elevada (± 60 mV en la solución de 470 mV) el equipo notificará un error en la medida, que se puede dar por un deterioro del sensor o la solución de calibración. 	Modo	Alarma de ORP Alto	Estándar	ClmV > 855	Biopool	ClmV > 855				
Modo	Alarma de ORP Alto										
Estándar	ClmV > 855										
Biopool	ClmV > 855										
<p>Alarma pH Bajo/Alto</p> 	<p>Las alarmas de bajo y alto aparecen si la medida está fuera de los valores de seguridad establecidos.</p> <p>Estos valores de seguridad no son modificables (Si aparece la alarma de pH alto, la bomba de pH se apagará por razones de seguridad.):</p> <table border="1" data-bbox="678 1008 1268 1120"> <thead> <tr> <th>Modo</th> <th>Alarma de pH Bajo</th> <th>Alarma de pH Alto</th> </tr> </thead> <tbody> <tr> <td>Estándar</td> <td>pH < 6.5</td> <td>pH > 8.5</td> </tr> <tr> <td>Biopool</td> <td>pH < 6.0</td> <td>pH > 9.0</td> </tr> </tbody> </table> <ul style="list-style-type: none"> • Verifique el nivel de pH en la piscina con un fotómetro o una tira reactiva. • Limpie y calibre el sensor de pH de ser necesario. Ver secciones 6.1 - 6.2 y 8 en el manual para más información del mantenimiento de los sensores. • El pH de la piscina debe reducirse manualmente a 8.45 (modo estándar) o 8.95 (modo biopool) para que la bomba vuelva a dosificar. • Si durante el proceso de calibrado la desviación es elevada (± 1 unidad de pH) el equipo notificará un error en la medida, que se puede dar por un deterioro del sensor o la solución de calibración. 	Modo	Alarma de pH Bajo	Alarma de pH Alto	Estándar	pH < 6.5	pH > 8.5	Biopool	pH < 6.0	pH > 9.0	
Modo	Alarma de pH Bajo	Alarma de pH Alto									
Estándar	pH < 6.5	pH > 8.5									
Biopool	pH < 6.0	pH > 9.0									
<p>Alarma PUMP-STOP</p> 	<p>Cuando la FUNCIÓN PUMP-STOP está activada (por defecto 60 min), el sistema detiene la bomba de dosificación después de un tiempo programado sin haber alcanzado la consigna de pH.</p> <ul style="list-style-type: none"> • Verifique el valor de pH en la piscina con un fotómetro o una tira reactiva. • Limpie y calibre el sensor de pH de ser necesario • Compruebe y ajuste la alcalinidad del agua (consulte con su especialista en piscinas). • Compruebe los niveles de ácido en la garrafa. 										
<p>Alarma de célula</p> 	<p>La alarma de la célula aparecerá cuando los dispositivos detecten que el electrodo está al final de su vida útil (pasivado). Vida útil estimada de los electrodos = 8.000 - 10.000 h</p> <ul style="list-style-type: none"> • Sustituir el electrodo de ser necesario 										
<p>Alarma Sensor de TEMPERATURA Baja/Alta</p> 	<ul style="list-style-type: none"> • La alarma de temperatura aparecerá cuando los valores de temperatura estén fuera de los valores configurados por el usuario. (Alarma de temperatura desactivada por defecto) • Cuando la temperatura del agua es muy baja, el equipo no alcanzará el 100% de producción debido a la baja conductividad. 										
<p>Alarma g/L Bajo/Alto</p> 	<ul style="list-style-type: none"> • Al igual que la alarma de temperatura, esta alarma aparecerá cuando los valores de g/L de sal estén fuera de los valores configurados por el usuario. (Alarma g/L desactivada por defecto) • Normalmente, cuando el valor de g/L es muy bajo o alto, afectará a la producción del aparato, debido a la conductividad del agua. 										
<p>Alarmas E1...E5</p> 	<table border="1" data-bbox="478 1758 1461 2051"> <tbody> <tr> <td>E1</td> <td>Cuando el tiempo calibración supera los 5 min sin intervención del usuario</td> </tr> <tr> <td>E2</td> <td>Cuando la desviación entre las lecturas durante el proceso de calibración es superior al rango permitido (ej: sensor defectuoso) <ul style="list-style-type: none"> • Temperatura: Desviación de $\pm 20^{\circ}\text{C}$ • pH: Desviación de ± 1 unidad de pH • ORP: Desviación de ± 60 mV en la solución de 470 mV </td> </tr> <tr> <td>E3</td> <td>-</td> </tr> <tr> <td>E4</td> <td>Imposibilidad de calibrar T, pH fast y salinidad (g/L) cuando la filtración está apagada</td> </tr> <tr> <td>E5</td> <td>Se activa al no poder realizar la calibración si: <ul style="list-style-type: none"> • Temperatura: No hay NTC. • Salinidad g/L: La producción es inferior al 30%. • pH/ORP: No hay driver o se está inicializando el sistema. </td> </tr> </tbody> </table>	E1	Cuando el tiempo calibración supera los 5 min sin intervención del usuario	E2	Cuando la desviación entre las lecturas durante el proceso de calibración es superior al rango permitido (ej: sensor defectuoso) <ul style="list-style-type: none"> • Temperatura: Desviación de $\pm 20^{\circ}\text{C}$ • pH: Desviación de ± 1 unidad de pH • ORP: Desviación de ± 60 mV en la solución de 470 mV 	E3	-	E4	Imposibilidad de calibrar T, pH fast y salinidad (g/L) cuando la filtración está apagada	E5	Se activa al no poder realizar la calibración si: <ul style="list-style-type: none"> • Temperatura: No hay NTC. • Salinidad g/L: La producción es inferior al 30%. • pH/ORP: No hay driver o se está inicializando el sistema.
E1	Cuando el tiempo calibración supera los 5 min sin intervención del usuario										
E2	Cuando la desviación entre las lecturas durante el proceso de calibración es superior al rango permitido (ej: sensor defectuoso) <ul style="list-style-type: none"> • Temperatura: Desviación de $\pm 20^{\circ}\text{C}$ • pH: Desviación de ± 1 unidad de pH • ORP: Desviación de ± 60 mV en la solución de 470 mV 										
E3	-										
E4	Imposibilidad de calibrar T, pH fast y salinidad (g/L) cuando la filtración está apagada										
E5	Se activa al no poder realizar la calibración si: <ul style="list-style-type: none"> • Temperatura: No hay NTC. • Salinidad g/L: La producción es inferior al 30%. • pH/ORP: No hay driver o se está inicializando el sistema. 										

**NOTA**

Il manuale breve che accompagna questo prodotto contiene unicamente le informazioni di base sulle misure di sicurezza da adottare durante l'installazione, la manutenzione e l'avviamento.

Il manuale completo può essere consultato e scaricato come file PDF nel seguente sito web: <https://www.zodiac.com>. Tutte le operazioni di montaggio, installazione elettrica e manutenzione sono di esclusiva competenza di personale qualificato e autorizzato che abbia letto tutte le istruzioni di installazione e servizio.



Caratteristiche generali:

- Una volta installato l'impianto di elettrolisi salina, è necessario sciogliere una quantità di sale nell'acqua. L'impianto di elettrolisi salina è costituito da due componenti: una cella elettrolitica e un dispositivo di regolazione. La cella elettrolitica contiene un determinato numero di piastre di titanio (elettrodi): quando si fa circolare in questi ultimi una corrente elettrica e la soluzione salina li attraversa, si produce cloro libero.
- Il mantenimento di un certo livello di cloro nell'acqua della piscina ne garantirà la qualità sanitaria. L'impianto di elettrolisi salina produrrà cloro quando il sistema di filtraggio della piscina (pompa e filtro) è in funzione.
- Il dispositivo di regolazione dispone di vari dispositivi di sicurezza, i quali si attivano in caso di anomalie nel funzionamento dell'impianto, nonché di un microcontroller.
- Gli impianti di elettrolisi del sale dispongono di un sistema di pulizia automatico degli elettrodi che impedisce la formazione di incrostazioni su questi ultimi.

Avvertenze di sicurezza e raccomandazioni:

- Il montaggio e la manovra devono essere eseguiti da personale debitamente qualificato.
- È necessario osservare la vigente normativa in materia di prevenzione degli infortuni e di impianti elettrici.
- Durante l'installazione si deve tenere conto del fatto che per la disconnessione elettrica dell'apparecchiatura è necessario integrare un interruttore o interruttore automatico che soddisfi le norme IEC 60947-1 e IEC 60947-3 e che assicuri lo scollegamento onnipolare, collegato direttamente ai morsetti di alimentazione e con una separazione dei contatti in tutti i suoi poli, che garantisca la disconnessione totale in condizioni di sovratensione di categoria III, in un'area conforme ai requisiti di sicurezza del sito. L'interruttore va situato nelle immediate vicinanze dell'apparecchiatura e dev'essere facilmente accessibile. Inoltre va contrassegnato come elemento di scollegamento dell'apparecchiatura.
- L'apparecchiatura deve essere alimentata attraverso un interruttore differenziale non superiore a 30 mA (RDC). L'apparecchiatura dev'essere collegata elettricamente a terra.
- L'impianto deve essere conforme alla norma IEC / HD 60364-7-702 e alle norme nazionali applicabili alle piscine.
- Il fabbricante declina ogni responsabilità per il montaggio, l'installazione o la messa in funzione, nonché per qualsiasi manovra o aggiunta di componenti non effettuate presso i propri stabilimenti.
- Questo apparecchio non può essere utilizzato da persone (compresi i bambini), con ridotte capacità fisiche, sensoriali o mentali o prive dell'esperienza e delle conoscenze necessarie, a meno che l'uso avvenga sotto la supervisione di una persona responsabile per la loro sicurezza e che impartisca loro istruzioni su come utilizzare l'apparecchio. Assicurarsi che i bambini non giochino con l'apparecchio.
- Se il cavo di alimentazione è danneggiato, al fine di evitare pericoli deve essere sostituito dal fabbricante, dal suo servizio post-vendita o da personale di qualifica simile.
- Non tentare di modificare il dispositivo di regolazione perché funzioni con una tensione diversa.
- Accertarsi di eseguire collegamenti elettrici saldi onde evitare falsi contatti, con il conseguente riscaldamento degli stessi.
- Prima di procedere all'installazione o sostituzione di qualsiasi componente dell'impianto verificare che sia stato prima scollegato dalla tensione di alimentazione e che non sia presente flusso d'acqua. Utilizzare esclusivamente ricambi originali.
- Dato che l'apparecchiatura genera calore, è importante installarla in un punto sufficientemente ventilato. Evitare di installarla vicino a materiali infiammabili.
- Benché l'apparecchiatura sia dotata di un grado di protezione IP. Non va installato in nessun caso in zone esposte a inondazioni.
- Questa apparecchiatura è destinata a essere collegata in modo permanente alla rete idrica e non deve essere collegata per mezzo di un tubo flessibile temporaneo.
- Questa apparecchiatura è dotata di una staffa di montaggio; vedere le istruzioni di montaggio.

Avviamento

1. Accertarsi che il filtro sia completamente pulito e che l'acqua della piscina e l'impianto non contengano rame, ferro e alghe, nonché che qualsiasi apparecchio di riscaldamento installato sia compatibile con la presenza di sale nell'acqua.
2. Equilibrare l'acqua della piscina. Ciò consentirà di ottenere un trattamento più efficace con una minore concentrazione di cloro libero nell'acqua, nonché un funzionamento prolungato degli elettrodi e una formazione minore di depositi calcarei nella piscina.
3. Il sistema ha un intervallo di funzionamento da 3,5 a 10 g/L e si dovrebbe cercare di mantenere il livello di sale ottimale raccomandato di 4 g/L.
4. Prima di iniziare il ciclo di lavoro, scollegare il dispositivo di regolazione e avviare la pompa di filtraggio per 24 ore per assicurare uno scioglimento completo del sale.
5. Avviare quindi l'impianto di elettrolisi salina in modo che il livello di cloro libero si mantenga nell'intervallo raccomandato (0,5 - 2ppm).
6. Compatibile con MagnaPool, vedere il capitolo 2.8 del manuale.

Equilibrio della piscina

Mantenere i seguenti parametri dell'acqua:

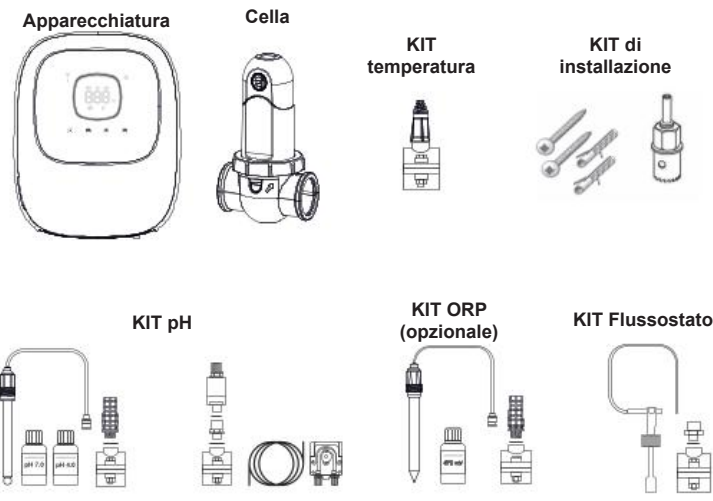
- Alcalinità totale tra 80 e 150 mg/L (ppm)
- pH tra 7,2 e 7,6
- Cloro libero tra 0,5 e 2 mg/L (ppm)
- Stabilizzatore di cloro 25-30 mg/L (ppm). Nelle piscine con forte irraggiamento solare o di uso intensivo, è consigliabile mantenere un livello di 25-30 mg/L di stabilizzante (acido isocianurico).



Consultare il manuale completo per ulteriori informazioni su:

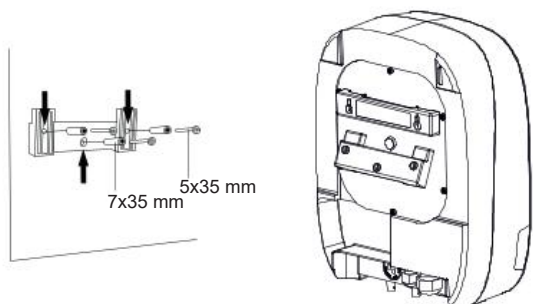
- Installazione e taratura dei sensori di pH, ORP, g/L e temperatura.
- Manutenzione della cella elettrolitica e delle pompe peristaltiche.

Componenti e installazione



KIT pH e KIT ORP disponibili solo per i modelli Ei2 iQ pH EVO.

Installazione dell'apparecchiatura a parete



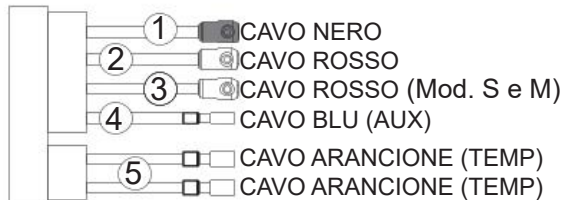
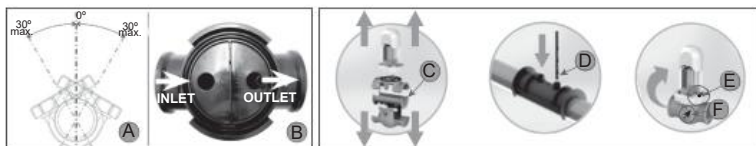
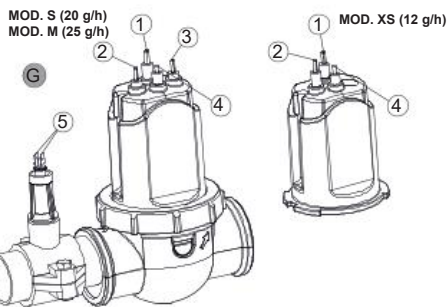
ATTENZIONE: installare sempre in verticale su una superficie rigida e in luogo asciutto e ventilato. Si raccomanda di installare l'apparecchiatura in punti non esposti agli agenti atmosferici. Evitare la formazione di ambienti corrosivi.



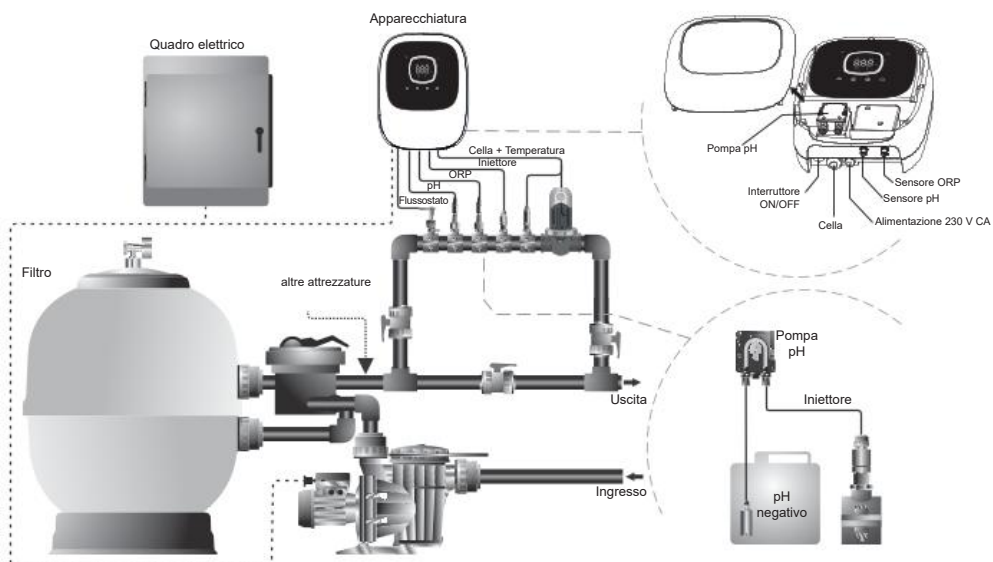
Consultare il manuale completo per ulteriori informazioni sull'installazione e il cablaggio.

Collegamento della cella elettrolitica

1. La cella deve essere installata in un tubo orizzontale per garantire che il flusso d'acqua scorra al suo interno con un angolo o una pendenza non superiore a 30° (A)
2. Rispettare la direzione di circolazione dell'acqua. (B)
3. Smontare la cella. (C)
4. Posizionare l'adattatore per tubi UE (DN50 mm) capovolto nella posizione desiderata per la tubazione (D). Con una punta di trapano o un punzone, segnare la posizione dei fori da praticare nel tubo, rimuovere l'adattatore e praticare i fori con la punta in dotazione.
5. Agganciare le parti superiore e inferiore del collare della cella nel tubo all'altezza dei fori, rispettando la direzione dell'acqua (C).
6. Posizionare la parte alta trasparente della cella (presenza di un indicatore di posizione), posizionare l'anello di serraggio sulla filettatura del collare superiore allineando il punto (E) del collare alla freccia del collare (F) e quindi serrare bene manualmente (**senza usare attrezzi**).
7. Collegare il cavo di alimentazione della cella rispettando i codici colore dei cavi (G) (connettore/i rosso/i, nero/i e blu) e quindi applicare il cappuccio di protezione.

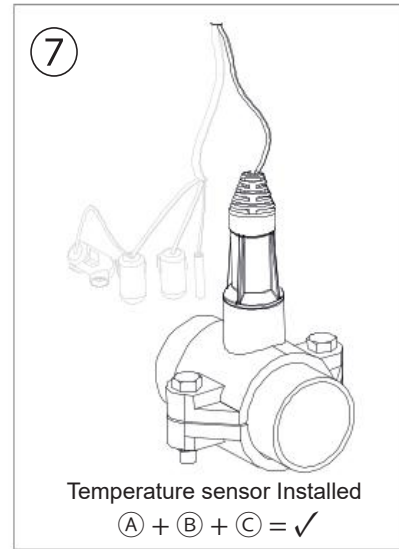
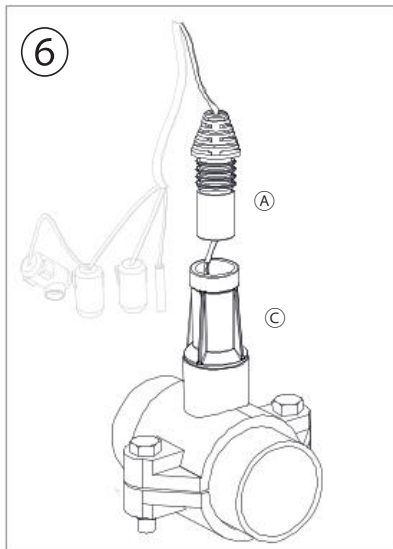
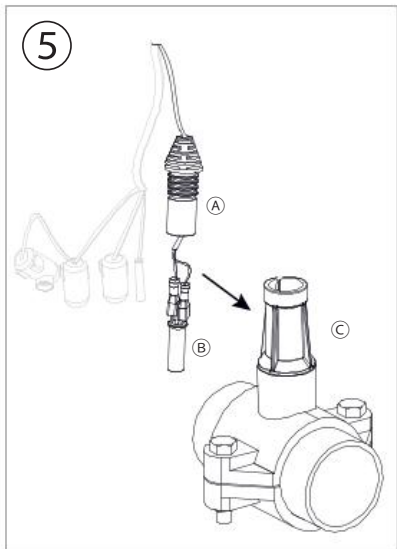
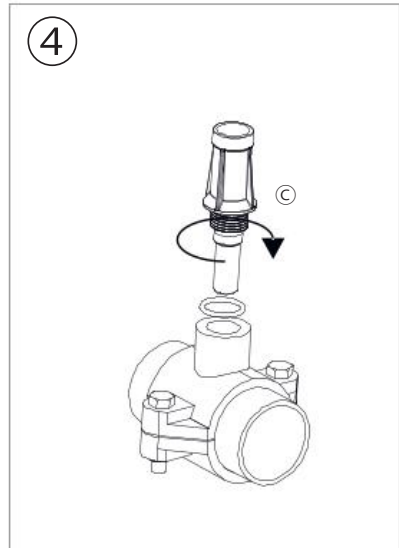
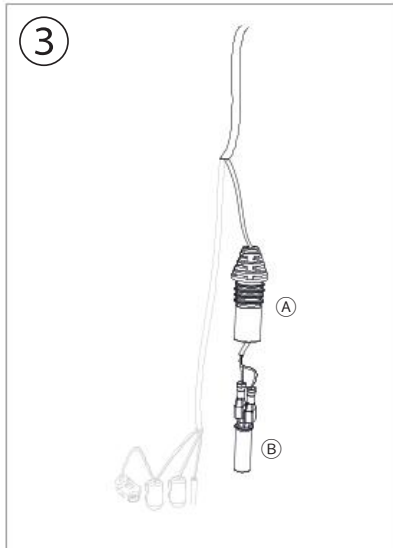
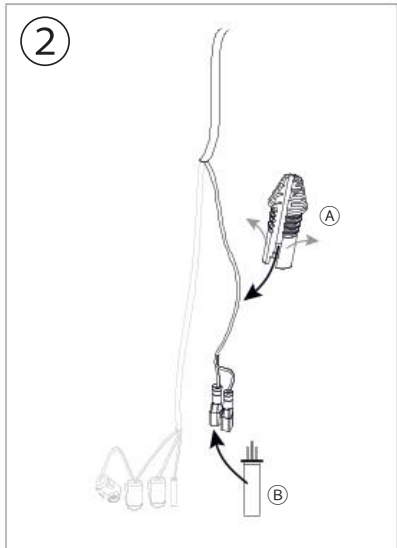
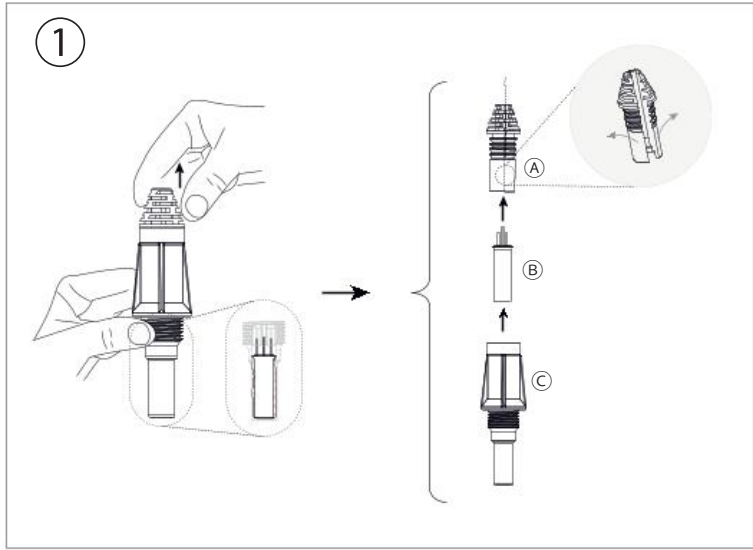
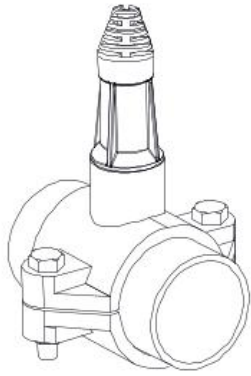


Schema di installazione

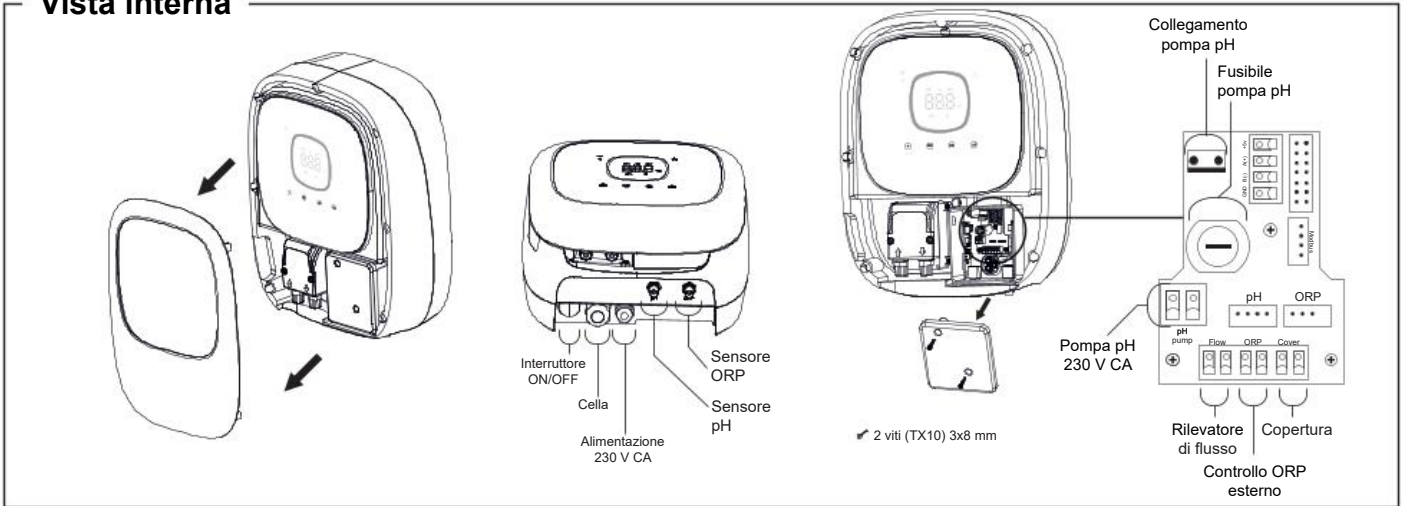


Nota: Questo schema rappresenta un impianto di un modello Ei2 iQ pH EVO con tutte le opzioni installate. Lo schema può variare in funzione del modello acquistato.

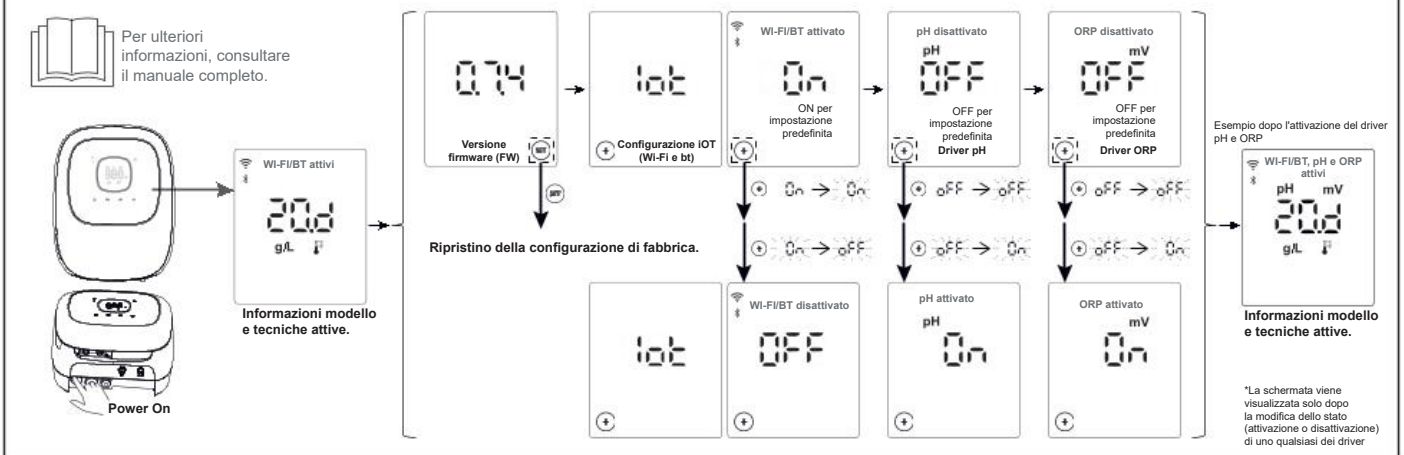
KIT temperatura: Componenti e installazione



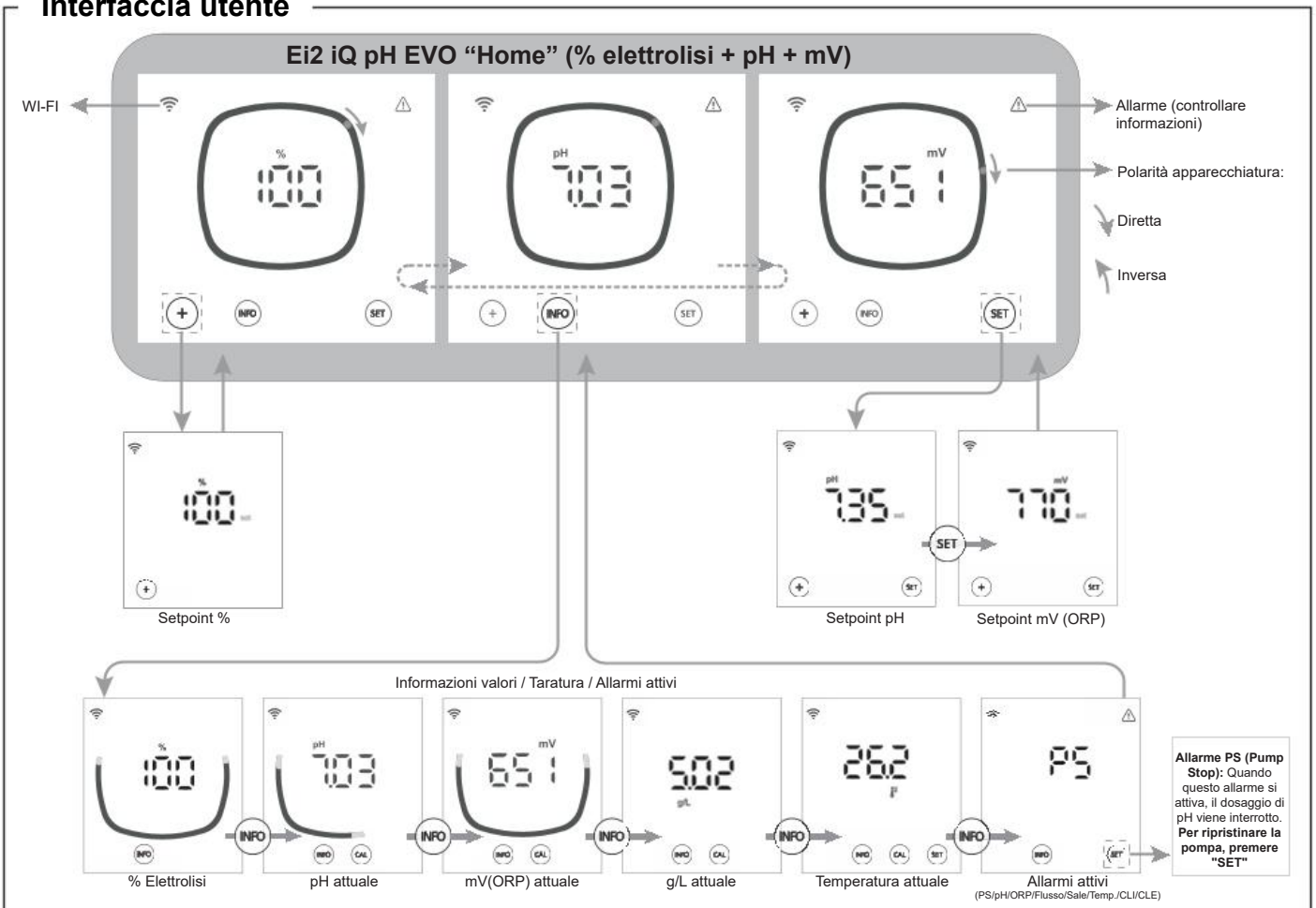
Vista interna



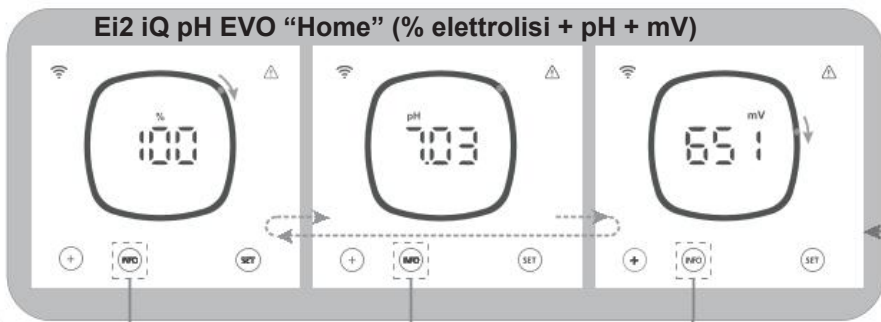
Sequenza di avvio, attivazione/disattivazione di WI-FI e driver pH/ORP



Interfaccia utente



Menu Configurazione



Per ulteriori informazioni sulle configurazioni dell'apparecchiatura, consultare il manuale completo.

Configurazione Allarmi



Premere "INFO" per 5 secondi finché non venga visualizzato "CFG" sulla schermata.

Versione FW apparecchiatura	Modello e tecniche attive	Inversione di polarità	Modo boost	Flussostato	Sensore di gas	Copertura	pH Intelligent
50F	pH mV g/L f	POL	bst	FS	FE	COU	pH Int
074	pH mV g/L f	2h	OFF	OFF	On	OFF	On
	Modello 12/20/25 pH ORP on/off on/off	2h 3h 4h 7h test	24h OFF	On OFF	On OFF	OFF 10...90	On OFF

Ripristino alla configurazione predefinita

Ore elettrolisi
Ore pompa pH

Stabilizzazione pH iniziale	Pump stop	Controllo cloro interno	Controllo cloro esterno	Allarme temperatura	Allarme gL	Modo Info	Biopool
pH InI	pH PS	CL I	CL E	tEm	GL	Inf	bio
2	60	On	OFF	OFF	OFF	OFF	OFF
OFF 1 - 2 - 4 min	OFF 1...120 min	On OFF	On OFF	OFF ON: 0-40 °C	OFF ON: 0,5-9,99 °C	On OFF	On OFF




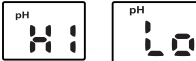



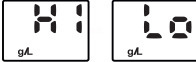
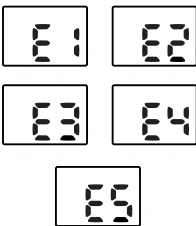
Nota: Configurazione predefinita visualizzata sulle schermate

Collegamento a Fluidra Pool



- 1) Scaricare e installare l'app FLUIDRA POOL.
- 2) Creare un account utente e configurare i parametri della piscina.
- 3) Attivare la modalità pairing sull'apparecchiatura ("+" e "INFO" contemporaneamente per 5 s).
- 4) Nell'applicazione FLUIDRA POOL, fare clic su Aggiungi apparecchiatura e seguire le istruzioni.

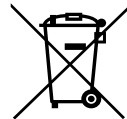
Risoluzione dei problemi frequenti

Messaggio	Soluzione										
<p>Allarme flusso</p> <ul style="list-style-type: none"> - Sensore di gas (FE) - Sensore di flusso (FS) 	<p>L'allarme di flusso compare perché la cella non è completamente allagata (sensore gas elettrodo) o perché non c'è flusso d'acqua (sensore flussostato).</p> <ul style="list-style-type: none"> Controllare la pompa, il filtro e la valvola di lavaggio. Pulire se necessario. 										
<p>Allarme STOP CL</p> 	<p>L'allarme STOP Cl può comparire per uno dei 3 motivi seguenti:</p> <p>CLE = arresto da controller esterno</p> <ul style="list-style-type: none"> Controllare il regolatore esterno (ORP/ppm) e verificare la lettura. Se non si dispone di un regolatore esterno disabilitare la funzione CLE (CLE=off) altrimenti la produzione non si avvia. <p>CLI = arresto per valore di ClmV o Clppm nell'apparecchiatura.</p> <ul style="list-style-type: none"> Verificare il livello di cloro nella piscina con un fotometro o una striscia reattiva. Se necessario pulire e tarare il sensore di ORP/ppm 										
<p>ORP(mV) - Allarme Alto</p> 	<p>Se la misurazione non rientra nei valori di sicurezza stabiliti, compaiono allarmi di livello basso e alto.</p> <p>I valori di sicurezza ClmV alto e basso non sono modificabili:</p> <table border="1"> <thead> <tr> <th>Modo</th> <th>Allarme ORP Alto</th> </tr> </thead> <tbody> <tr> <td>Standard</td> <td>ClmV > 855</td> </tr> <tr> <td>Biopool</td> <td>ClmV > 855</td> </tr> </tbody> </table> <ul style="list-style-type: none"> Verificare il livello di cloro nella piscina con un fotometro o una striscia reattiva. Se necessario pulire e tarare il sensore di ORP. Se il valore del cloro libero è basso e il valore del cloro totale è alto, realizzare una clorazione di impatto (con ipoclorito di sodio) per ridurre le clorammine. Se le ppm di cloro sono elevate e la lettura dell'mV è bassa, controllare la concentrazione di acido cianurico. Se si ottengono valori maggiori di 60 ppm, svuotare parzialmente la piscina. Aumentare il filtraggio giornaliero. Se durante il processo di taratura la deviazione è elevata (± 60 mV nella soluzione da 470 mV), l'apparecchiatura mostra un errore di misurazione, che potrebbe essere causato da un deterioramento del sensore o dalla soluzione di taratura. 	Modo	Allarme ORP Alto	Standard	ClmV > 855	Biopool	ClmV > 855				
Modo	Allarme ORP Alto										
Standard	ClmV > 855										
Biopool	ClmV > 855										
<p>Allarme pH Basso/Alto</p> 	<p>Se la misurazione non rientra nei valori di sicurezza stabiliti, compaiono allarmi di livello basso e alto.</p> <p>Questi valori di sicurezza non sono modificabili (Se compare l'allarme di pH alto, la pompa di pH viene spenta per motivi di sicurezza.):</p> <table border="1"> <thead> <tr> <th>Modo</th> <th>Allarme pH Basso</th> <th>Allarme pH Alto</th> </tr> </thead> <tbody> <tr> <td>Standard</td> <td>pH < 6,5</td> <td>pH > 8,5</td> </tr> <tr> <td>Biopool</td> <td>pH < 6,0</td> <td>pH > 9,0</td> </tr> </tbody> </table> <ul style="list-style-type: none"> Verificare il livello di pH nella piscina con un fotometro o una striscia reattiva. Se necessario pulire e tarare il sensore di pH. Per ulteriori informazioni sulla manutenzione dei sensori, vedere sezioni 6.1 - 6.2 e 8 del manuale. Il pH della piscina deve essere ridotto manualmente a 8,45 (modalità standard) o 8,95 (modalità biopool) affinché la pompa ricominci a dosare. Se durante il processo di taratura la deviazione è elevata (± 1 unità di pH), l'apparecchiatura mostra un errore di misurazione, che potrebbe essere causato da un deterioramento del sensore o dalla soluzione di taratura. 	Modo	Allarme pH Basso	Allarme pH Alto	Standard	pH < 6,5	pH > 8,5	Biopool	pH < 6,0	pH > 9,0	
Modo	Allarme pH Basso	Allarme pH Alto									
Standard	pH < 6,5	pH > 8,5									
Biopool	pH < 6,0	pH > 9,0									
<p>Allarme PUMP-STOP</p> 	<p>Quando è attivata la FUNZIONE PUMP-STOP (60 min per impostazione predefinita), il sistema arresta la pompa dosatrice dopo un tempo programmato senza aver raggiunto il setpoint di pH.</p> <ul style="list-style-type: none"> Controllare il valore di pH nella piscina con un fotometro o una striscia reattiva. Se necessario pulire e tarare il sensore di pH Controllare e regolare l'alcalinità dell'acqua (rivolgersi a uno specialista di piscine). Verificare i livelli di acido nel falcione. 										
<p>Allarme cella</p> 	<p>L'allarme della cella compare quando i dispositivi rilevano che l'elettrodo è giunto alla fine della sua vita utile (passivato). Vita utile stimata degli elettrodi = 8.000 - 10.000 ore</p> <ul style="list-style-type: none"> Sostituire l'elettrodo se necessario 										
<p>Allarme sensore TEMPERATURA bassa/alta</p> 	<ul style="list-style-type: none"> L'allarme di temperatura compare quando i valori di temperatura non rientrano nei valori configurati dall'utente. (Allarme temperatura disattivato per impostazione predefinita) Quando la temperatura dell'acqua è molto bassa, l'apparecchiatura non raggiunge il 100% della produzione a causa della bassa conduttività. 										
<p>Allarme g/L Basso/Alto</p> 	<ul style="list-style-type: none"> Come per l'allarme di temperatura, questo allarme compare quando i valori di g/L di sale non rientrano nei valori configurati dall'utente. (Allarme g/L disattivato per impostazione predefinita) Normalmente, se troppo basso o troppo alto, il valore di g/L influisce sulla produzione dell'apparecchiatura, a causa della conduttività dell'acqua. 										
<p>Allarmi E1...E5</p> 	<table border="1"> <tbody> <tr> <td>E1</td> <td>Quando il tempo di taratura supera i 5 minuti senza l'intervento dell'utente</td> </tr> <tr> <td>E2</td> <td>Quando la deviazione tra le letture durante il processo di taratura è superiore all'intervallo consentito (ad esempio, sensore difettoso) <ul style="list-style-type: none"> Temperatura: Deviazione di $\pm 20^\circ\text{C}$ pH: Deviazione di ± 1 unità di pH ORP: Deviazione di ± 60 mV nella soluzione di 470 mV </td> </tr> <tr> <td>E3</td> <td>-</td> </tr> <tr> <td>E4</td> <td>Impossibilità di tarare T, pH fast e salinità (g/L) quando il filtraggio è spento</td> </tr> <tr> <td>E5</td> <td>Si attiva quando la taratura non può essere eseguita se: <ul style="list-style-type: none"> Temperatura: Nessun NTC. Salinità g/L: La produzione è inferiore al 30%. pH/ORP: Non è presente nessun driver o è in corso l'inizializzazione del sistema. </td> </tr> </tbody> </table>	E1	Quando il tempo di taratura supera i 5 minuti senza l'intervento dell'utente	E2	Quando la deviazione tra le letture durante il processo di taratura è superiore all'intervallo consentito (ad esempio, sensore difettoso) <ul style="list-style-type: none"> Temperatura: Deviazione di $\pm 20^\circ\text{C}$ pH: Deviazione di ± 1 unità di pH ORP: Deviazione di ± 60 mV nella soluzione di 470 mV 	E3	-	E4	Impossibilità di tarare T, pH fast e salinità (g/L) quando il filtraggio è spento	E5	Si attiva quando la taratura non può essere eseguita se: <ul style="list-style-type: none"> Temperatura: Nessun NTC. Salinità g/L: La produzione è inferiore al 30%. pH/ORP: Non è presente nessun driver o è in corso l'inizializzazione del sistema.
E1	Quando il tempo di taratura supera i 5 minuti senza l'intervento dell'utente										
E2	Quando la deviazione tra le letture durante il processo di taratura è superiore all'intervallo consentito (ad esempio, sensore difettoso) <ul style="list-style-type: none"> Temperatura: Deviazione di $\pm 20^\circ\text{C}$ pH: Deviazione di ± 1 unità di pH ORP: Deviazione di ± 60 mV nella soluzione di 470 mV 										
E3	-										
E4	Impossibilità di tarare T, pH fast e salinità (g/L) quando il filtraggio è spento										
E5	Si attiva quando la taratura non può essere eseguita se: <ul style="list-style-type: none"> Temperatura: Nessun NTC. Salinità g/L: La produzione è inferiore al 30%. pH/ORP: Non è presente nessun driver o è in corso l'inizializzazione del sistema. 										



HINWEIS

Das kurze begleitende Handbuch enthält nur die grundlegenden Angaben über die Sicherheitsvorkehrungen, die bei Installation, Wartung und Betriebsbeginn einzurichten sind. Das vollständige Handbuch kann auf der folgenden Website als PDF-Datei angesehen und heruntergeladen werden: <https://www.zodiac.com>. Nur qualifiziertes und zugelassenes Personal, das sämtliche Anweisungen über Installation und Betrieb sorgfältig gelesen hat, darf die Arbeiten der Montage, elektrischen Installation und Wartung ausführen.



Allgemeine Merkmale:

- Nach der Installation Ihres Salzelektrolyse-Systems müssen Sie Salz im Wasser lösen. Das Salzelektrolyse-System umfasst zwei Elemente: eine Elektrolysezelle und ein Steuergerät. Die Elektrolysezelle besitzt eine bestimmte Anzahl von Titanplatten als Elektroden. Sobald elektrischer Strom fließt und die Salzlösung durch die Elektroden strömt, entsteht freies Chlor.
- Ein bestimmter Chlorgehalt im Schwimmbecken gewährleistet eine hygienische Wasserqualität. Das Salzelektrolyse-System setzt Chlor frei, solange die Filteranlage des Schwimmbeckens (Pumpe und Filter) arbeitet.
- Zum Steuergerät gehören mehrere Sicherheitsvorrichtungen, die bei anormalem Betrieb in Kraft treten, sowie eine Mikrosteuerung.
- Außerdem besitzen die Salzelektrolyse-Vorrichtungen ein System zur Elektroden-Selbstreinigung, das Ablagerungen verhindert.

Sicherheitshinweise und Empfehlungen:

- Die Montage und Handhabung müssen von entsprechend qualifiziertem Personal durchgeführt werden.
- Es sind die geltenden Vorschriften zur Vorbeugung von Unfällen sowie für elektrische Anlagen zu beachten.
- Bitte bei der Installation beachten: Zur elektrischen Abschaltung ist ein Trennschalter oder automatischer Leistungsschalter erforderlich, der die Normen IEC 60947-1 und IEC 60947-3 erfüllt. Der Schalter muss die allpolige Trennung gewährleisten, direkt an die Netzklemmen angeschlossen sein und die Kontakte aller Pole müssen voneinander getrennt sein. Bei Überspannungen der Kategorie III muss der Schalter die Anlage in einem Bereich, der die Sicherheitsvorschriften des Standorts erfüllt, vollständig abschalten. Der Trennschalter muss sich in unmittelbarer Nähe des Gerätes befinden und leicht zugänglich sein. Außerdem ist er als Trennvorrichtung des Gerätes zu kennzeichnen.
- Die Stromversorgung muss über eine Fehlerstrom-Schutzeinrichtung verfügen, deren Ansprechstrom 30 mA nicht überschreitet. Das Gerät muss elektrisch mit der Erde verbunden sein.
- Die Anlage muss der Norm IEC/HD 60364-7-702 und den für Schwimmbecken geltenden nationalen Normen entsprechen.
- Der Hersteller übernimmt in keinem Fall die Verantwortung für die Montage, Installation oder Inbetriebnahme sowie für jegliche Handhabung oder den Einbau von Komponenten, die nicht in seiner Anlage vorgenommen wurden.
- Dieses Gerät ist nicht für die Verwendung durch Personen (einschließlich Kinder) mit eingeschränkten physischen, sensorischen oder geistigen Fähigkeiten oder mit fehlender Erfahrung oder fehlendem Wissen bestimmt, es sei denn, sie werden von einer für ihre Sicherheit verantwortlichen Person beaufsichtigt oder in die Verwendung des Gerätes eingewiesen. Kinder sollten beaufsichtigt werden, um sicherzustellen, dass sie nicht mit dem Gerät spielen.
- Beschädigte Netzkabel sind aus Sicherheitsgründen und zur Vermeidung von Gefahrensituationen vom Hersteller, seinem Kundendienst oder ähnlich qualifiziertem Personal zu ersetzen.
- Versuchen Sie nicht, Änderungen am Steuergerät vorzunehmen, um mit einer anderen Spannung zu arbeiten.
- Vergewissern Sie sich, dass die elektrischen Verbindungen fest und sicher sind. So vermeiden Sie Fehl- und Wackelkontakte, die zu Überhitzungen führen könnten.
- Vergewissern Sie sich, dass das System von der Versorgungsspannung getrennt ist und kein Wasser durchfließt, bevor Sie eine Komponente installieren oder ersetzen. Verwenden Sie ausschließlich Original-Ersatzteile.
- Das Gerät erzeugt Hitze. Installieren Sie es daher unbedingt an einem ausreichend belüfteten Ort. Installieren Sie das Gerät nicht in der Nähe entzündlicher Materialien.
- Das gilt auch dann, wenn das Gerät eine bestimmte IP-Schutzart erfüllt. Installieren Sie es keinesfalls in überschwemmungsgefährdeten Bereichen.
- Dieses Gerät ist für eine permanent angeschlossene Wasserzufuhr ausgelegt. Schließen Sie keinen provisorischen Wasserschlauch an.
- Das Gerät besitzt eine Befestigungshalterung; siehe Montageanleitung.

Inbetriebnahme

1. Vergewissern Sie sich, dass der Filter zu 100 % sauber ist und dass das Wasser des Schwimmbeckens und der Anlage kein Kupfer, kein Eisen und keine Algen enthält. Jede eventuell installierte Heizung sollte mit salzhaltigem Wasser verträglich sein.
2. Bringen Sie das Beckenwasser ins Gleichgewicht. Das ermöglicht eine effiziente Aufbereitung mit einer geringeren Konzentration an freiem Chlor im Wasser, verlängert die Funktionszeit der Elektroden und vermindert die Kalkablagerungen im Schwimmbecken.
3. Das System hat einen Betriebsbereich von 3,5-10 g/L, und es sollte darauf geachtet werden, den empfohlenen optimalen Salzgehalt von 4 g/L aufrechtzuerhalten.
4. Bevor Sie einen Betriebszyklus einleiten: Trennen Sie das Steuergerät ab und setzen Sie die-Filterpumpe 24 Stunden lang in Betrieb, damit sich das gesamte Salz löst.
5. Stellen Sie anschließend das Salzelektrolyse-System so ein, dass der Gehalt an freiem Chlor im empfohlenen Intervall bleibt (0,5 bis 2 ppm).
6. Kompatibel mit MagnaPool, siehe Kapitel 2.8 des Handbuchs.

Gleichgewicht im Schwimmbecken

Erhalten Sie die folgenden Wasserparameter aufrecht:

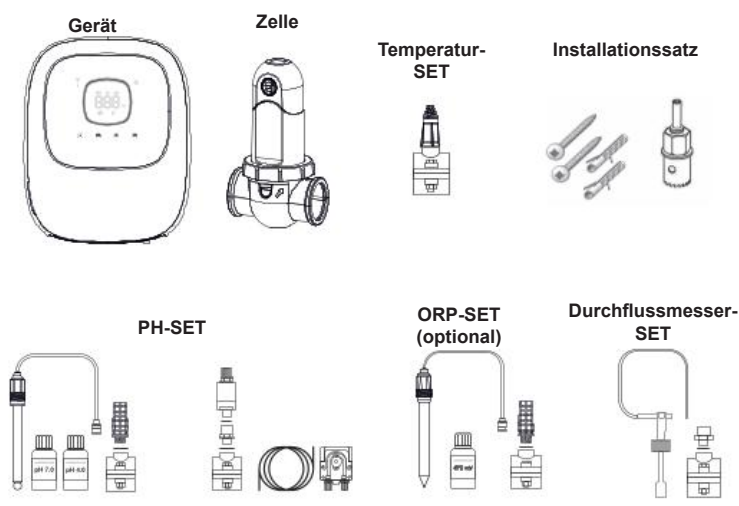
- Gesamte Alkalinität von 80 bis 150 mg/l (ppm)
- pH-Wert von 7,2 bis 7,6
- Gehalt an freiem Chlor von 0,5 bis 2 mg/l (ppm)
- Gehalt an Chlorstabilisator von 25 bis 30 mg/l (ppm). In Schwimmbecken mit starker Sonneneinstrahlung oder intensiver Nutzung sollten Sie einen Gehalt von 25 bis 30 mg/l des Chlorstabilisators (Trichlorisocyanursäure) aufrechterhalten.



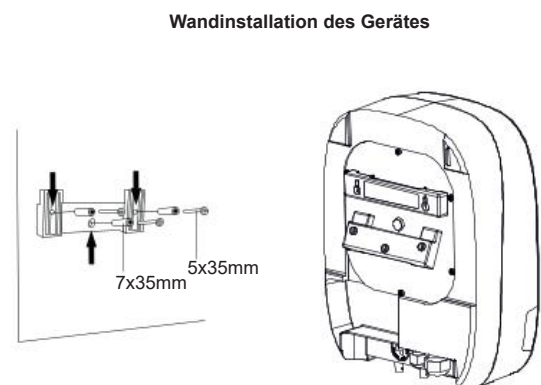
Im vollständigen Handbuch finden Sie weitere Angaben über:

- Installation und Kalibrierung der Sensoren für pH, Redoxpotenzial (ORP), g/l und Temperatur.
- Wartung der Elektrolysezelle und der Peristaltikpumpen.

Komponenten und Installation



Das pH-Set und das ORP-Set sind nur für Ei2 iQ pH EVO Modelle verfügbar.



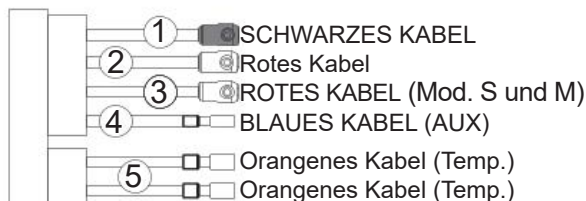
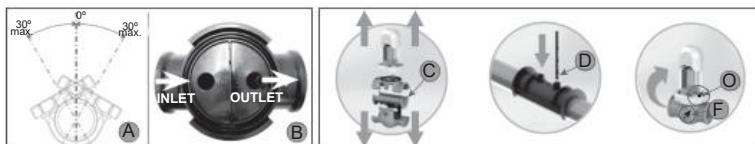
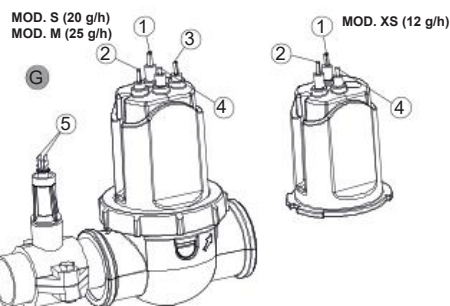
ACHTUNG! Installieren Sie das Gerät stets senkrecht auf einer festen Unterlage an einem trockenen und gut belüfteten Standort. Es ist empfehlenswert, das Gerät nicht im Freien zu installieren. Vermeiden Sie die Bildung ätzender Atmosphären.



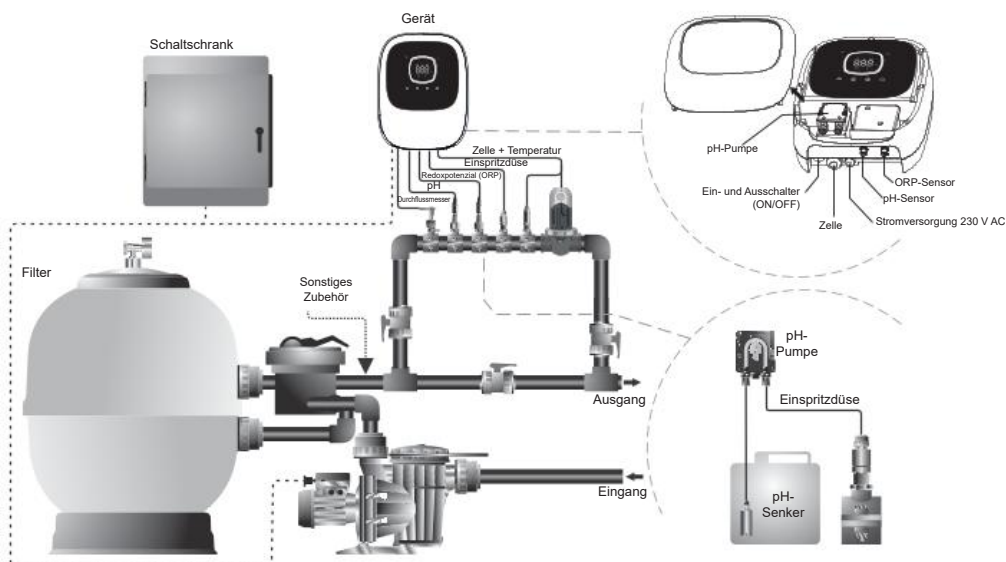
Weitere Angaben über die Installation und Verkabelung finden Sie im vollständigen Handbuch.

Anschluss der Elektrolysezelle

- Die Zelle muss in eine horizontale Rohrleitung eingebaut werden, damit das Wasser in einem Winkel oder einer Neigung von höchstens 30° (A) durch sie hindurchfließen kann.
- Achten Sie auf die Fließrichtung des Wassers. (B)
- Demontieren Sie die Zelle. (C)
- Setzen Sie den EU-Rohradapter (DN50 mm) umgedreht auf die gewünschte Rohrstelle (D). Markieren Sie mit einer Bohrkronen oder einem Dorn die Position der im Rohr zu bohrenden Löcher, entfernen Sie den Adapter und bohren Sie die Löcher mit der mitgelieferten Bohrkronen.
- Haken Sie den unteren und oberen Teil der Zellenmanschette auf der Höhe der Löcher in Fließrichtung des Wassers in das Rohr ein (C).
- Positionieren Sie den hohen transparenten Teil der Zelle (Vorhandensein eines Positionsanzeigers), setzen Sie den Spannring auf das Gewinde der oberen Manschette, indem Sie den Punkt (E) der Manschette mit dem Pfeil auf der Manschette (F) ausrichten, und ziehen Sie ihn dann mit der Hand fest (**ohne den Einsatz von Werkzeugen**).
- Schließen Sie das Netzkabel der Zelle unter Beachtung der Farbcodes der Drähte (G) (rote/r, schwarzer und blauer Verbinder) an und setzen Sie dann die Schutzkappe auf.

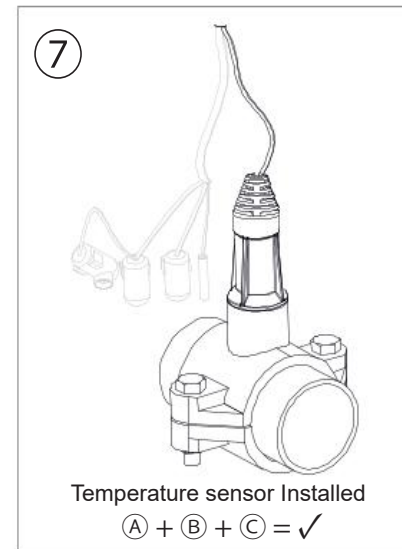
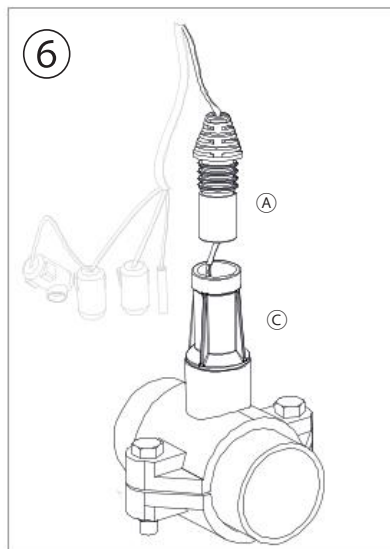
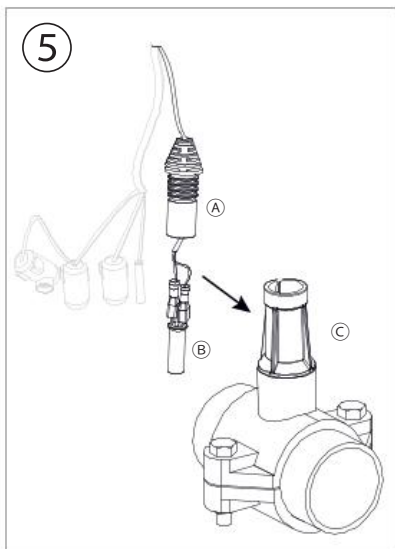
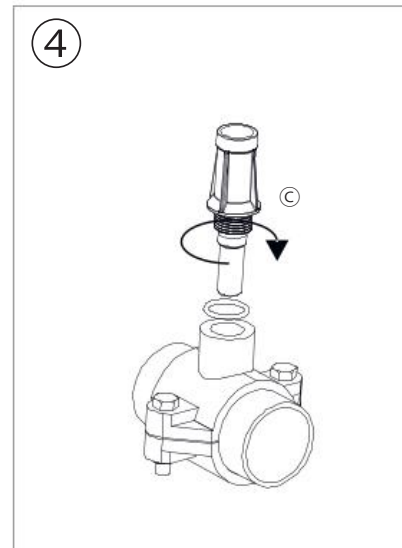
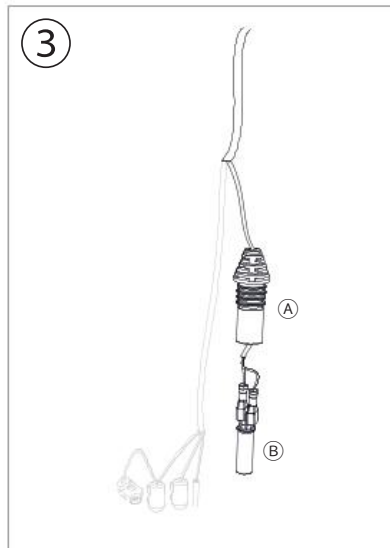
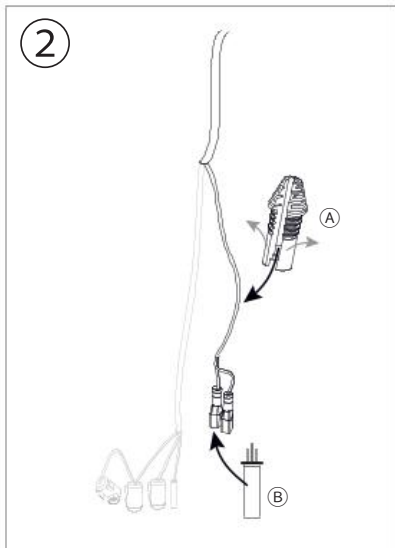
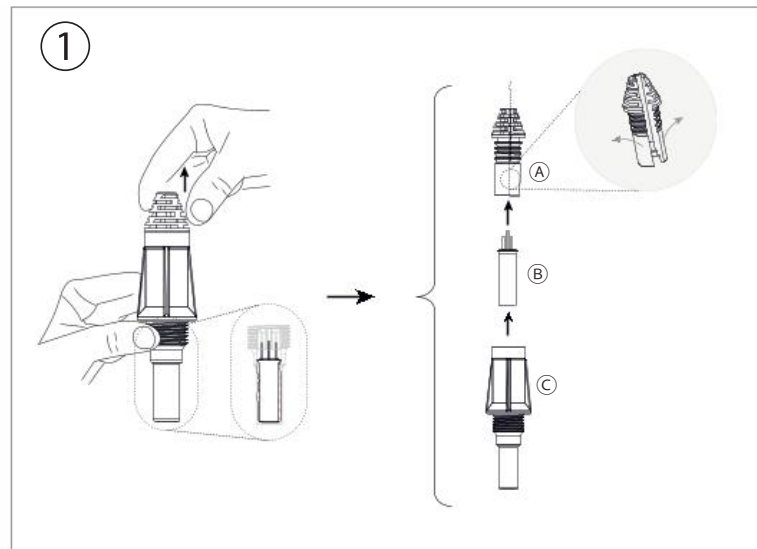
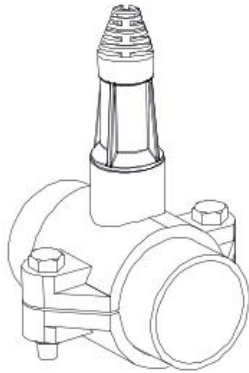


Montagediagramm

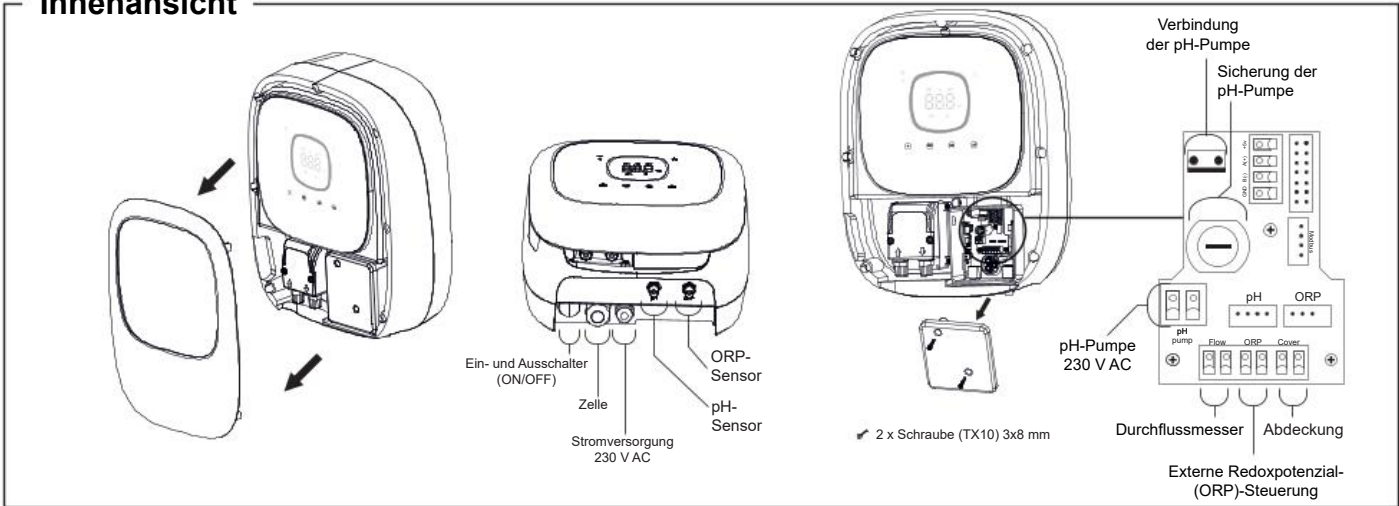


Hinweis: Dieses Schema stellt die Montage eines Ei2 iQ pH EVO Modells mit allen installierten Optionen dar. Abhängig vom jeweiligen Gerät kann das Schema variieren.

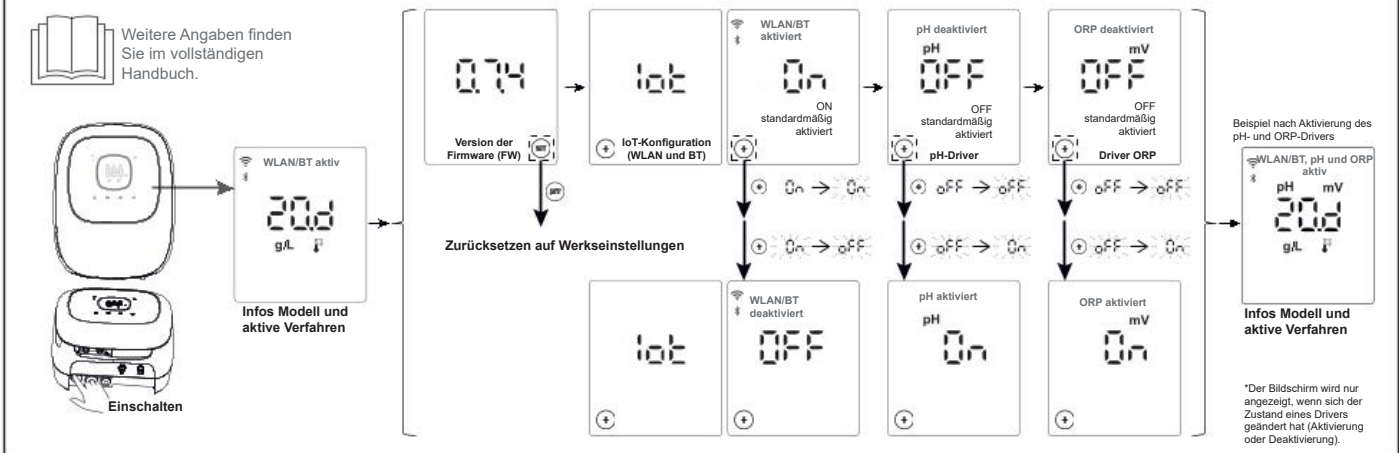
Temperatur-SET: Komponenten und Installation



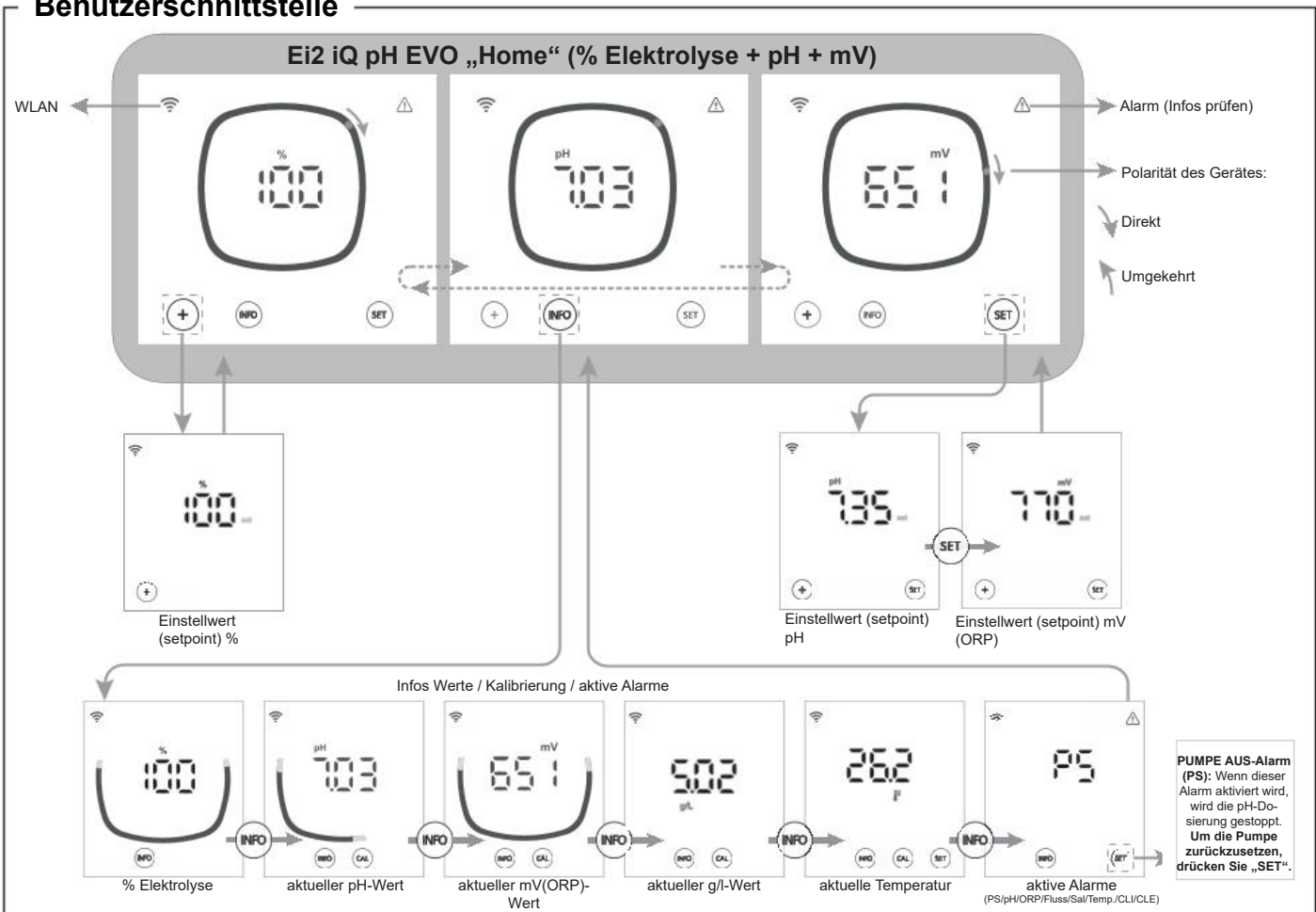
Innenansicht



Startsequenz, Aktivierung/Deaktivierung des WLAN und der Driver für pH und ORP (Redoxpotenzial)



Benutzerschnittstelle



Konfigurationsmenü



Weitere Informationen zu den Gerätekonfigurationen finden Sie im vollständigen Handbuch.

Ei2 iQ pH EVO „Home“ (% Elektrolyse + pH + mV)

Konfiguration Alarme

CFG **ALA**

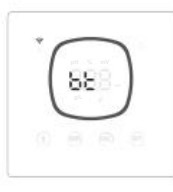
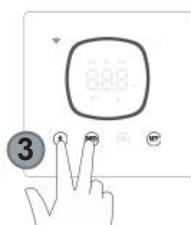
Drücken Sie 5 Sekunden lang „INFO“, bis „CFG“ angezeigt wird.

FW-Version des Gerätes	Modell und aktive Verfahren	Polaritätsumkehr	Boost-Modus	Durchflussmesser	Gassensor	Abdeckung	pH Intelligent
50F	pH mV g/L f	POL	bst	FS	FE	COU	pH Int
074	pH mV g/L f	2h	OFF	OFF	On	OFF	On
Zurücksetzen auf Standardkonfiguration	Modell 12/20/25 pH ORP on/off on/off	2h 3h 4h 7h Test	24h OFF	On OFF	On OFF	OFF 10...90	On OFF

Anfängliche pH-Stabilisierung	Pumpe Aus	Interne Chlorregelung	Externe Chlorregelung	Temperaturalarm	g/l-Alarm	Info-Modus	Biopool
pH Int	pH PS	CL1	CLE	tEn	g/L	Inf	bio
2	60	On	OFF	OFF	OFF	OFF	OFF
OFF 1 - 2 - 4 min	OFF 1...120 min	On OFF	On OFF	OFF ON: 0 - 40 °C	OFF ON: 0.5 - 9.99 °C	On OFF	On OFF

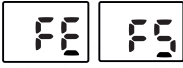
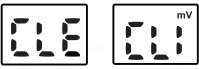
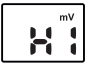
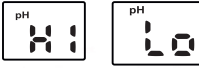

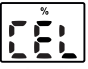
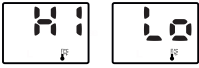
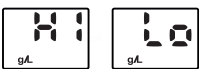
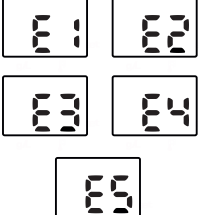
Hinweis: Auf Bildschirmen angezeigte Standardkonfigurationen

Verbindung zu Fluidra Pool



- 1) Laden Sie die FLUIDRA POOL-App herunter und installieren Sie sie.
- 2) Legen Sie ein Benutzerkonto an und konfigurieren Sie die Schwimmbecken-Parameter.
- 3) Schalten Sie den Pairing-Modus am Gerät ein („+“ und „INFO“ fünf Sekunden lang gleichzeitig drücken).
- 4) Drücken Sie auf „Gerät hinzufügen“ und befolgen Sie die Anweisungen von FLUIDRA POOL.

Lösen von häufigen Problemen

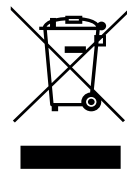
Nachricht	Problemlösung										
<p>Durchflussalarm - Gassensor (FE) - Durchflussmesser (FS)</p> 	<p>Der Durchflussalarm tritt ein, wenn die Elektrolysezelle nicht vollständig in Flüssigkeit eingetaucht ist (Gasstromsensor der Elektrode) oder wenn kein Wasser fließt (Durchflussmesser).</p> <ul style="list-style-type: none"> • Prüfen Sie die Pumpe, den Filter und das Rückspülventil. Reinigen Sie die Teile, falls erforderlich. 										
<p>STOP-CL-Alarm</p> 	<p>Der Alarm STOP Cl kann aus drei Gründen auftreten: CLE = von externer Steuerung angehalten.</p> <ul style="list-style-type: none"> • Prüfen Sie den externen Regler (ORP: Redoxpot. / ppm: Chlorgehalt) und den Anzeigewert. • Falls kein externer Regler vorhanden ist: Deaktivieren Sie die Funktion CLE (CLE=off); ansonsten läuft die Produktion nicht an. <p>CLI = aufgrund des Wertes von ClmV oder Clppm angehalten.</p> <ul style="list-style-type: none"> • Prüfen Sie den Chlorgehalt im Schwimmbecken mit einem Photometer oder einem Reaktionsstreifen. • Reinigen und kalibrieren Sie den ORP/ppm-Sensor, falls erforderlich. 										
<p>ORP (mV) – Alarm hohe Spannung</p> 	<p>Ein solcher Alarm tritt auf, wenn der Wert außerhalb des vorgegebenen Sicherheitsintervalls liegt (zu hoch oder zu niedrig ist).</p> <p>Der obere Sicherheitswert (Höchstwert) der Spannung ClmV lässt sich nicht verändern:</p> <table border="1" data-bbox="794 645 1157 763"> <thead> <tr> <th>Modus</th> <th>Alarm wegen hohen Redoxpotenzials (ORP)</th> </tr> </thead> <tbody> <tr> <td>Standard</td> <td>ClmV > 855</td> </tr> <tr> <td>Biopool</td> <td>ClmV > 855</td> </tr> </tbody> </table> <ul style="list-style-type: none"> • Prüfen Sie den Chlorgehalt im Schwimmbecken mit einem Photometer oder einem Reaktionsstreifen. • Reinigen und kalibrieren Sie den ORP-(Redoxpot.)-Sensor, falls erforderlich. • Falls der Gehalt an freiem Chlor niedrig, aber der gesamte Chlorgehalt hoch ist: Führen Sie eine „Schock-Chlorierung“ aus (mit Natriumhypochlorit), um den Gehalt an Chloraminen zu verringern. • Falls der Chlorgehalt (ppm) hoch, aber das abgelesene Redoxpotenzial in mV niedrig ist: Prüfen Sie die Konzentration der Cyanursäure. Entleeren Sie bei Werten über 60 ppm das Schwimmbecken teilweise. Verstärken Sie die tägliche Filterung. • Ist die Abweichung während des Kalibriervorgangs hoch (± 60 mV in der 470-mV-Lösung), meldet das Gerät einen Messwertfehler, der durch eine Verschlechterung des Sensors oder der Kalibrierlösung verursacht werden kann. 	Modus	Alarm wegen hohen Redoxpotenzials (ORP)	Standard	ClmV > 855	Biopool	ClmV > 855				
Modus	Alarm wegen hohen Redoxpotenzials (ORP)										
Standard	ClmV > 855										
Biopool	ClmV > 855										
<p>Alarm niedriger / hoher pH-Wert</p> 	<p>Ein solcher Alarm tritt auf, wenn der Wert außerhalb des vorgegebenen Sicherheitsintervalls liegt (zu hoch oder zu niedrig ist).</p> <p>Diese Sicherheitswerte lassen sich nicht verändern (bei einem Alarm wegen hohen pH-Wertes schaltet sich die pH-Pumpe aus Sicherheitsgründen ab):</p> <table border="1" data-bbox="679 1032 1273 1133"> <thead> <tr> <th>Modus</th> <th>Alarm niedriger pH</th> <th>Alarm hoher pH</th> </tr> </thead> <tbody> <tr> <td>Standard</td> <td>pH < 6,5</td> <td>pH > 8,5</td> </tr> <tr> <td>Biopool</td> <td>pH < 6,0</td> <td>pH > 9,0</td> </tr> </tbody> </table> <ul style="list-style-type: none"> • Prüfen Sie den pH-Wert im Schwimmbecken mit einem Photometer oder einem Reaktionsstreifen. • Reinigen und kalibrieren Sie den pH-Sensor, falls erforderlich. Weitere Informationen zur Wartung der Sensoren finden Sie in den Abschnitten 6.1 - 6.2 und 8 der Betriebsanleitung. • Verringern Sie einen zu hohen pH-Wert des Beckenwassers manuell auf 8,45 (im Standardmodus) oder auf 8,95 (im Biopool-Modus), damit die Pumpe wieder dosiert. • Ist die Abweichung während des Kalibriervorgangs hoch (± 1 pH-Wert-Einheit), meldet das Gerät einen Messwertfehler, der durch eine Verschlechterung des Sensors oder der Kalibrierlösung verursacht werden kann. 	Modus	Alarm niedriger pH	Alarm hoher pH	Standard	pH < 6,5	pH > 8,5	Biopool	pH < 6,0	pH > 9,0	
Modus	Alarm niedriger pH	Alarm hoher pH									
Standard	pH < 6,5	pH > 8,5									
Biopool	pH < 6,0	pH > 9,0									
<p>PUMP-STOP-Alarm</p> 	<p>Bei aktiver PUMP STOP (Standardeinstellung 60 min) stoppt das System die Dosierpumpe nach einer vorprogrammierten Zeit, auch wenn der Vorgabe-pH-Wert nicht erreicht ist.</p> <ul style="list-style-type: none"> • Prüfen Sie den pH-Wert im Becken mit einem Photometer oder einem Reaktionsstreifen. • Reinigen und kalibrieren Sie den pH-Sensor, falls erforderlich. • Prüfen Sie die Alkalinität des Wassers und regeln Sie sie nach (wenden Sie sich an Ihren Becken-Experten). • Prüfen Sie den Säurestand im Behälter. 										
<p>Elektrolysezellen-Alarm</p> 	<p>Ein Alarm der Elektrolysezelle tritt ein, sobald die Vorrichtungen feststellen, dass die Nutzlebensdauer der Elektrode zu Ende geht (wegen Passivierung). Die geschätzte Lebensdauer der Elektroden beträgt 8000 bis 10 000 Stunden.</p> <ul style="list-style-type: none"> • Tauschen Sie die Elektrode aus, falls erforderlich. 										
<p>Alarm am Temperatursensor zu tief/zu hoch</p> 	<ul style="list-style-type: none"> • Der Temperaturalarm tritt ein, wenn die Temperaturwerte außerhalb der vom Bediener konfigurierten Werte liegen. (Der Temperaturalarm ist standardmäßig deaktiviert.) • Bei tiefer Wassertemperatur liegt die Chlorproduktion aufgrund geringer Leitfähigkeit unter 100 %. 										
<p>Alarm: zu niedrige oder zu hohe Salzkonzentration (g/l)</p> 	<ul style="list-style-type: none"> • Ähnlich wie der Temperaturalarm tritt dieser Alarm ein, wenn die Salzkonzentration in Gramm pro Liter außerhalb der vom Benutzer konfigurierten Werte liegt. (Der Salzkonzentrationsalarm (g/l) ist standardmäßig deaktiviert.) • In der Regel wirkt sich eine sehr hohe oder sehr niedrige Salzkonzentration aufgrund der Leitfähigkeit des Wassers auf die Chlorproduktion aus. 										
<p>Alarmer E1...E5</p> 	<table border="1"> <tbody> <tr> <td>E1</td> <td>Wenn die Kalibrierungszeit ohne Benutzereingriff 5 Minuten überschreitet.</td> </tr> <tr> <td>E2</td> <td>Wenn die Abweichung zwischen den Messwerten während des Kalibriervorgangs größer ist als der zulässige Bereich (z. B. defekter Sensor). <ul style="list-style-type: none"> • Temperatur: Abweichung von ± 20 °C • pH: Abweichung von ± 1 pH-Wert-Einheit • Redoxpotential: Abweichung von ± 60 mV in der 470-mV-Lösung </td> </tr> <tr> <td>E3</td> <td>-</td> </tr> <tr> <td>E4</td> <td>Es ist unmöglich, T, pH-Wert und Salzgehalt (g/L) bei ausgeschalteter Filterung zu kalibrieren.</td> </tr> <tr> <td>E5</td> <td>Wird aktiviert, wenn die Kalibrierung nicht durchgeführt werden kann, wenn: <ul style="list-style-type: none"> • Temperatur: Kein NTC. • Salzgehalt g/l: Die Produktion beträgt weniger als 30 %. • pH/ORP: Kein Driver oder Systeminitialisierung im Gange. </td> </tr> </tbody> </table>	E1	Wenn die Kalibrierungszeit ohne Benutzereingriff 5 Minuten überschreitet.	E2	Wenn die Abweichung zwischen den Messwerten während des Kalibriervorgangs größer ist als der zulässige Bereich (z. B. defekter Sensor). <ul style="list-style-type: none"> • Temperatur: Abweichung von ± 20 °C • pH: Abweichung von ± 1 pH-Wert-Einheit • Redoxpotential: Abweichung von ± 60 mV in der 470-mV-Lösung 	E3	-	E4	Es ist unmöglich, T, pH-Wert und Salzgehalt (g/L) bei ausgeschalteter Filterung zu kalibrieren.	E5	Wird aktiviert, wenn die Kalibrierung nicht durchgeführt werden kann, wenn: <ul style="list-style-type: none"> • Temperatur: Kein NTC. • Salzgehalt g/l: Die Produktion beträgt weniger als 30 %. • pH/ORP: Kein Driver oder Systeminitialisierung im Gange.
E1	Wenn die Kalibrierungszeit ohne Benutzereingriff 5 Minuten überschreitet.										
E2	Wenn die Abweichung zwischen den Messwerten während des Kalibriervorgangs größer ist als der zulässige Bereich (z. B. defekter Sensor). <ul style="list-style-type: none"> • Temperatur: Abweichung von ± 20 °C • pH: Abweichung von ± 1 pH-Wert-Einheit • Redoxpotential: Abweichung von ± 60 mV in der 470-mV-Lösung 										
E3	-										
E4	Es ist unmöglich, T, pH-Wert und Salzgehalt (g/L) bei ausgeschalteter Filterung zu kalibrieren.										
E5	Wird aktiviert, wenn die Kalibrierung nicht durchgeführt werden kann, wenn: <ul style="list-style-type: none"> • Temperatur: Kein NTC. • Salzgehalt g/l: Die Produktion beträgt weniger als 30 %. • pH/ORP: Kein Driver oder Systeminitialisierung im Gange. 										



AVISO

O breve manual que acompanha este produto contém exclusivamente informações básicas sobre as medidas de segurança a aplicar durante a instalação, a manutenção e o arranque.

O manual completo está disponível para consulta e download como ficheiro PDF no seguinte website: <https://www.zodiac.com>. Todos os trabalhos de montagem, instalação elétrica e manutenção têm de ser realizados por pessoal qualificado e autorizado que tenha lido atentamente todas as instruções de instalação e serviço.



Características gerais:

- Após a instalação do sistema de eletrólise de sal, é necessário dissolver uma quantidade de sal na água. O sistema de Eletrólise de Sal é composto por dois elementos: uma célula de eletrólise e uma unidade de controlo. A célula de eletrólise contém um certo número de placas de titânio (elétrodos), quando estas são atravessadas por uma corrente elétrica e a solução salina passa através delas, é produzido cloro livre.
- A manutenção de um determinado nível de cloro na água da piscina, garantirá a sua qualidade sanitária. O sistema de Eletrólise de Sal produz cloro quando o sistema de filtragem da piscina (bomba e filtro) estão a funcionar.
- A unidade de controlo tem vários dispositivos de segurança, que são ativados em caso de funcionamento anómalo do sistema, bem como um microcontrolador de controlo.
- Os sistemas de eletrólise de sal possuem um sistema de limpeza automático dos elétrodos que evita a formação de incrustações nos mesmos.

⚠ Avisos de segurança e recomendações:

- A montagem ou manipulação devem ser efetuadas por pessoal devidamente qualificado.
- Devem ser respeitadas as normas em vigor para a prevenção de acidentes, bem como para as instalações elétricas.
- Ao realizar a instalação ter em atenção que para desligar o equipamento da rede elétrica é necessário instalar um interruptor ou disjuntor, em conformidade com as normas IEC 60947-1 e IEC 60947-3, que assegure o corte onipolar, seja ligado diretamente aos terminais de alimentação e tenha uma separação de contactos em todos os seus polos, assegurando o corte total da corrente em condições de sobretensão de categoria III, numa área que cumpra os requisitos de segurança do local. O interruptor/disjuntor deve estar localizado nas imediações do equipamento e ser de fácil acesso. Além disso, deve estar identificado como elemento para desligar o equipamento.
- O equipamento deve ser alimentado por um dispositivo de corrente residual que não exceda 30 mA (RDC). O equipamento deve estar ligado à terra.
- A instalação deve cumprir a norma IEC/HD 60364-7-702 e as normas nacionais aplicáveis às piscinas.
- O fabricante não se responsabiliza, em caso algum, pela montagem, instalação ou colocação em funcionamento, nem por qualquer manipulação ou incorporação de componentes que não sejam realizadas nas suas instalações.
- Este aparelho não foi concebido para ser utilizado por pessoas (incluindo crianças) com capacidades físicas, sensoriais ou mentais reduzidas ou com falta de experiência e conhecimentos, salvo se forem supervisionadas ou receberem instruções sobre a utilização do aparelho por uma pessoa responsável pela sua segurança. As crianças devem ser vigiadas para garantir que não brincam com o aparelho.
- Se o cabo de alimentação estiver danificado, deve ser substituído pelo fabricante, pelo serviço pós-venda ou por pessoal qualificado equivalente, para evitar perigos.
- Não tente alterar a unidade de controlo para funcionar com uma tensão diferente.
- Certifique-se de que realiza ligações elétricas firmes para evitar falsos contactos e conseqüente sobreaquecimento dos mesmos.
- Antes de proceder à instalação ou substituição de qualquer componente do sistema, certifique-se de que este ficou previamente desligado da tensão de alimentação e que não existe fluxo de água através do mesmo. Utilize exclusivamente peças sobresselentes originais.
- Como o equipamento gera calor, é importante instalá-lo num local suficientemente ventilado. Não instalar perto de materiais inflamáveis.
- Apesar de o equipamento ter um grau de proteção IP. Não deve ser instalado, em caso algum, em zonas expostas a inundações.
- Este equipamento destina-se a ser permanentemente ligado ao abastecimento de água e não deve ser ligado por meio de uma mangueira temporária.
- Este aparelho possui um suporte de fixação, ver as instruções de montagem.

Colocação em funcionamento

1. Assegurar que o filtro está 100% limpo e que a água da piscina e a instalação estão livres de cobre, ferro e algas, e que qualquer equipamento de aquecimento instalado é compatível com a presença de sal na água.
2. Equilibrar a água da piscina. Desta forma, poderá obter um tratamento mais eficiente com uma menor concentração de cloro livre na água, assim como um funcionamento mais prolongado dos elétrodos, além de uma menor formação de depósitos calcários na piscina.
3. O sistema tem uma faixa de operação de 3,5-10 g/L, e deve ser feito um esforço para manter o nível de sal recomendado de 4 g/L.
4. Antes de iniciar o ciclo de trabalho, desligar a unidade de controlo e colocar em funcionamento a bomba de filtragem durante 24 horas para assegurar a dissolução total do sal.
5. Em seguida, iniciar o sistema de eletrólise de sal, de modo que o nível de cloro livre seja mantido dentro dos níveis recomendados (0,5-2 ppm).
6. Compatível com MagnaPool, consulte o capítulo 2.8 do manual.

Equilíbrio da piscina

Manter os seguintes parâmetros da água:

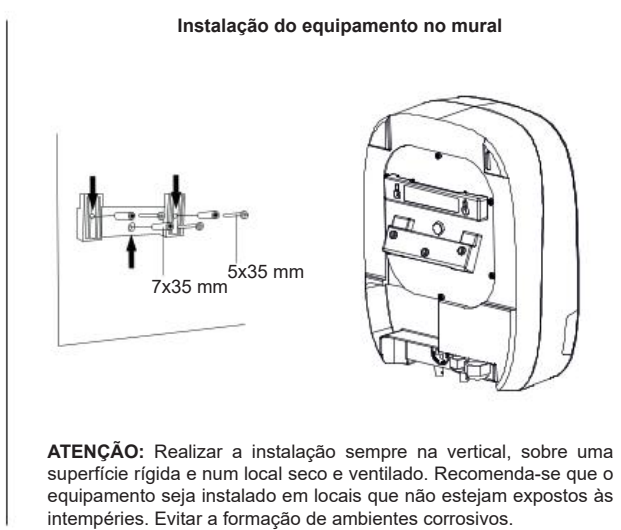
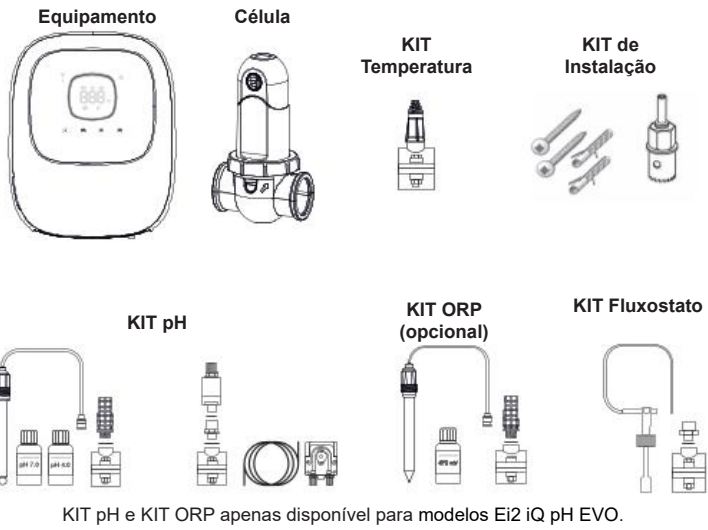
- Alcalinidade total entre 80 e 150 mg/L (ppm)
- pH entre 7,2 e 7,6
- Cloro livre entre 0,5 e 2 mg/L (ppm)
- Estabilizador de cloro 25-30 mg/L (ppm). Em piscinas com elevada exposição solar ou uso intensivo, é aconselhável manter um nível de 25-30 mg/L de estabilizante (ácido isocianúrico).

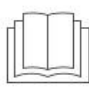


Consulte o manual completo para mais informações sobre:

- Instalação e calibração de sensores de pH, ORP, ppm, g/L e temperatura.
- Manutenção da célula de eletrólise e bombas peristálticas.

Componentes e instalação



 Consulte o manual completo para mais informações sobre a instalação e a cablagem.

Ligação da célula de eletrólise

1. A célula deve ser instalada num tubo horizontal para garantir que o fluxo de água a atravessa, com um ângulo ou uma inclinação não superior a 30° (A).
2. Respeitar o sentido do fluxo de água. (B)
3. Desmontar a célula. (C)
4. Colocar o adaptador de tubo EU (DN50 mm) de cabeça para baixo no ponto pretendido da tubagem (D). Com um berbequim ou um punção, marcar a localização dos furos a executar no tubo, retirar o adaptador e executar os furos usando a coroa de perfuração fornecida.
5. Encaixar as partes superior e inferior do colar da célula no tubo à altura dos furos, respeitando o sentido do fluxo da água (C).
6. Posicionar a parte alta transparente da célula (presença de um indicador de posição), colocar o anel de aperto na rosca do colar superior, alinhando o ponto (E) do colar com a seta do colar (F) e, em seguida, apertar bem à mão (**sem utilizar ferramentas**).
7. Ligar o cabo de alimentação elétrica da célula respeitando os códigos de cor dos cabos (G) (conector(es) vermelho, preto e azul) e, em seguida, colocar a tampa de proteção.

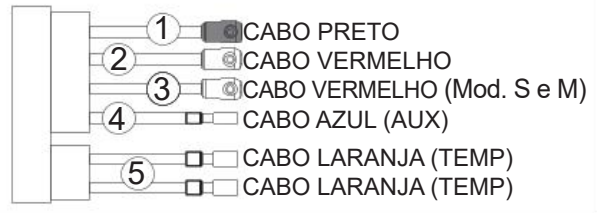
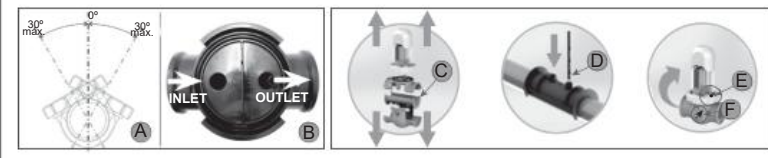
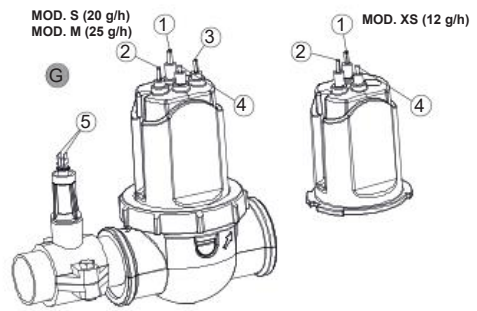
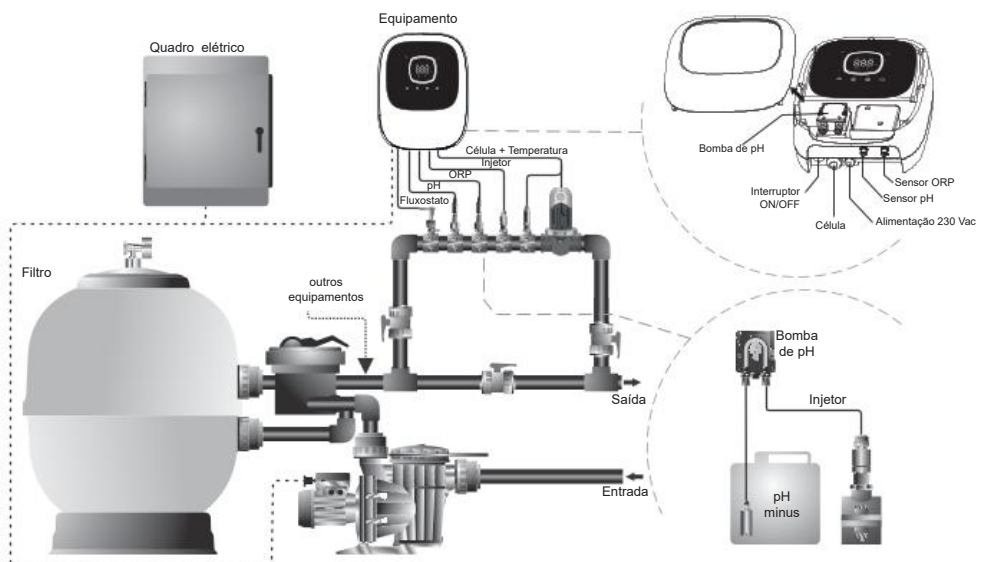
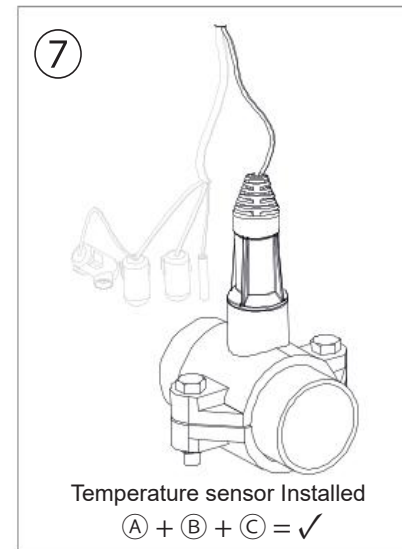
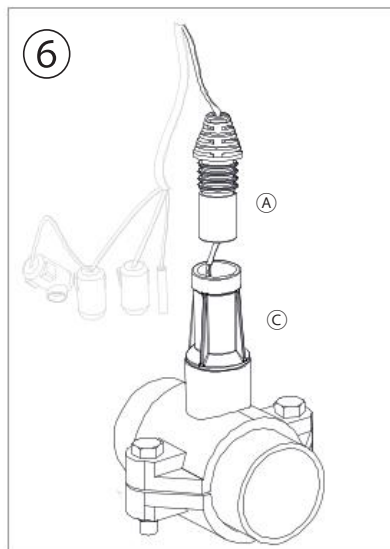
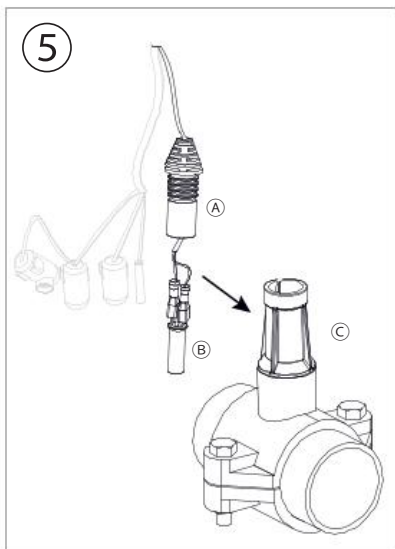
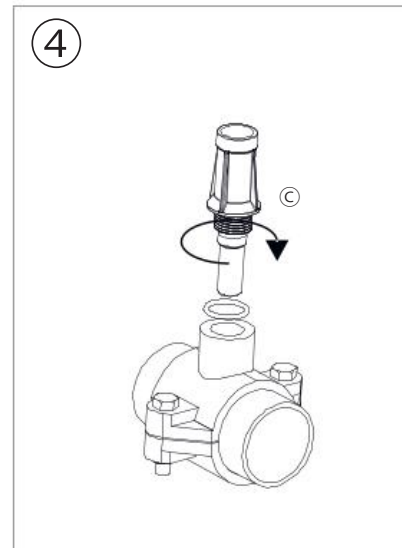
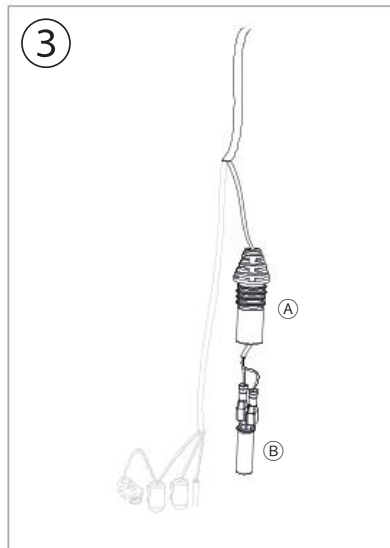
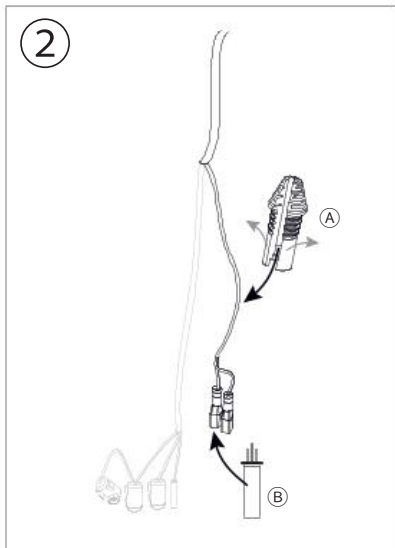
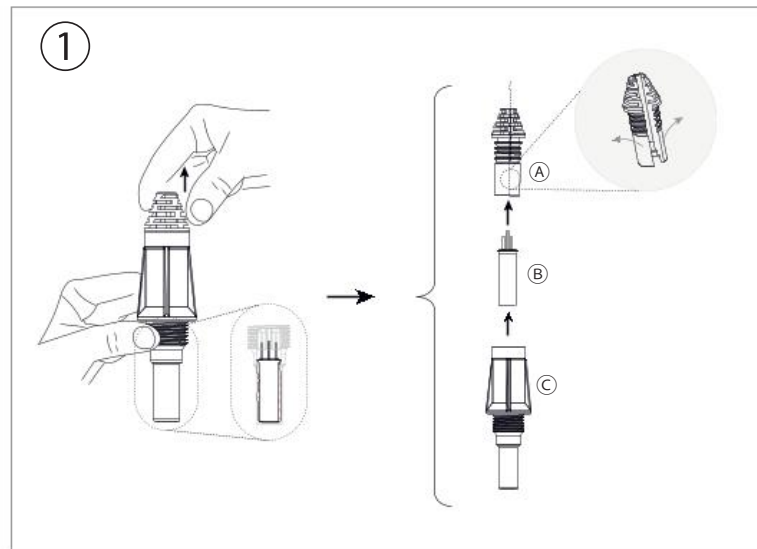
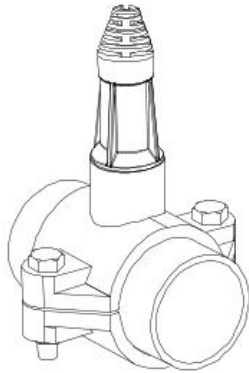


Diagrama de instalação

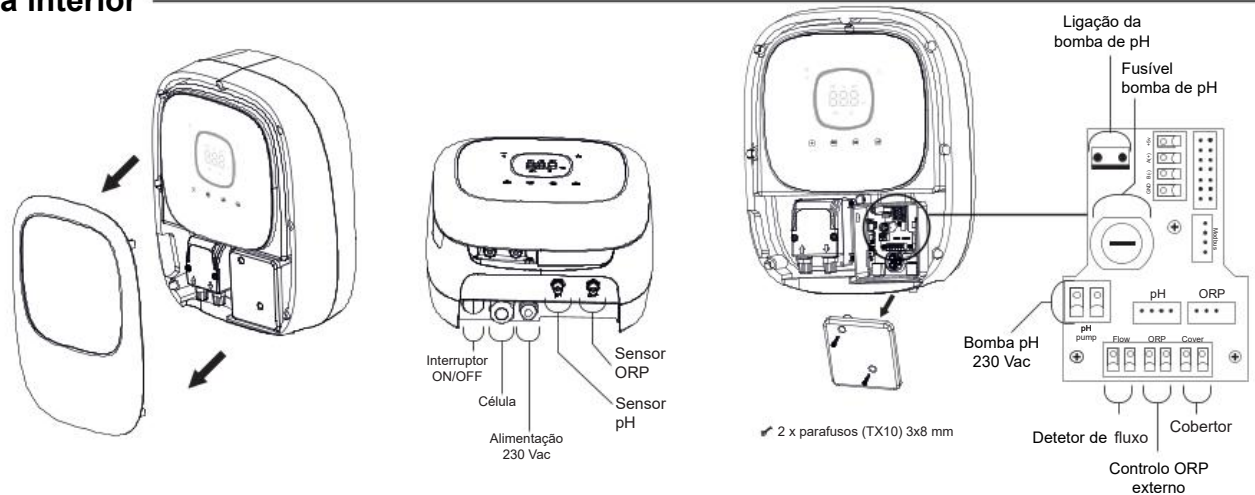


Nota: Este esquema é uma representação de uma instalação de um modelo Ei2 iQ pH EVO com todas as opções instaladas. Este esquema pode variar consoante o modelo adquirido.

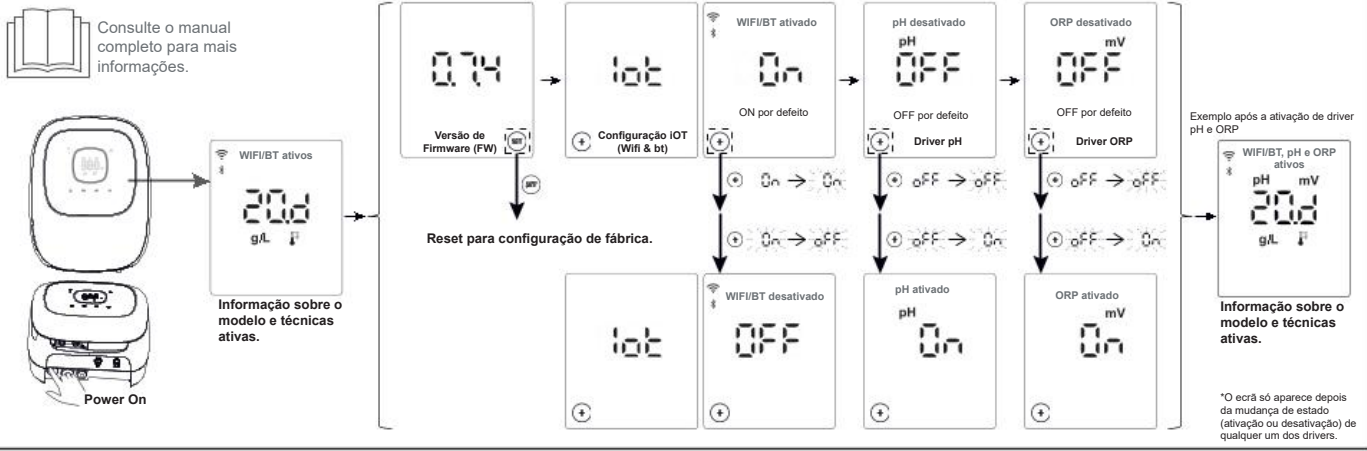
KIT temperatura: Componentes e instalação



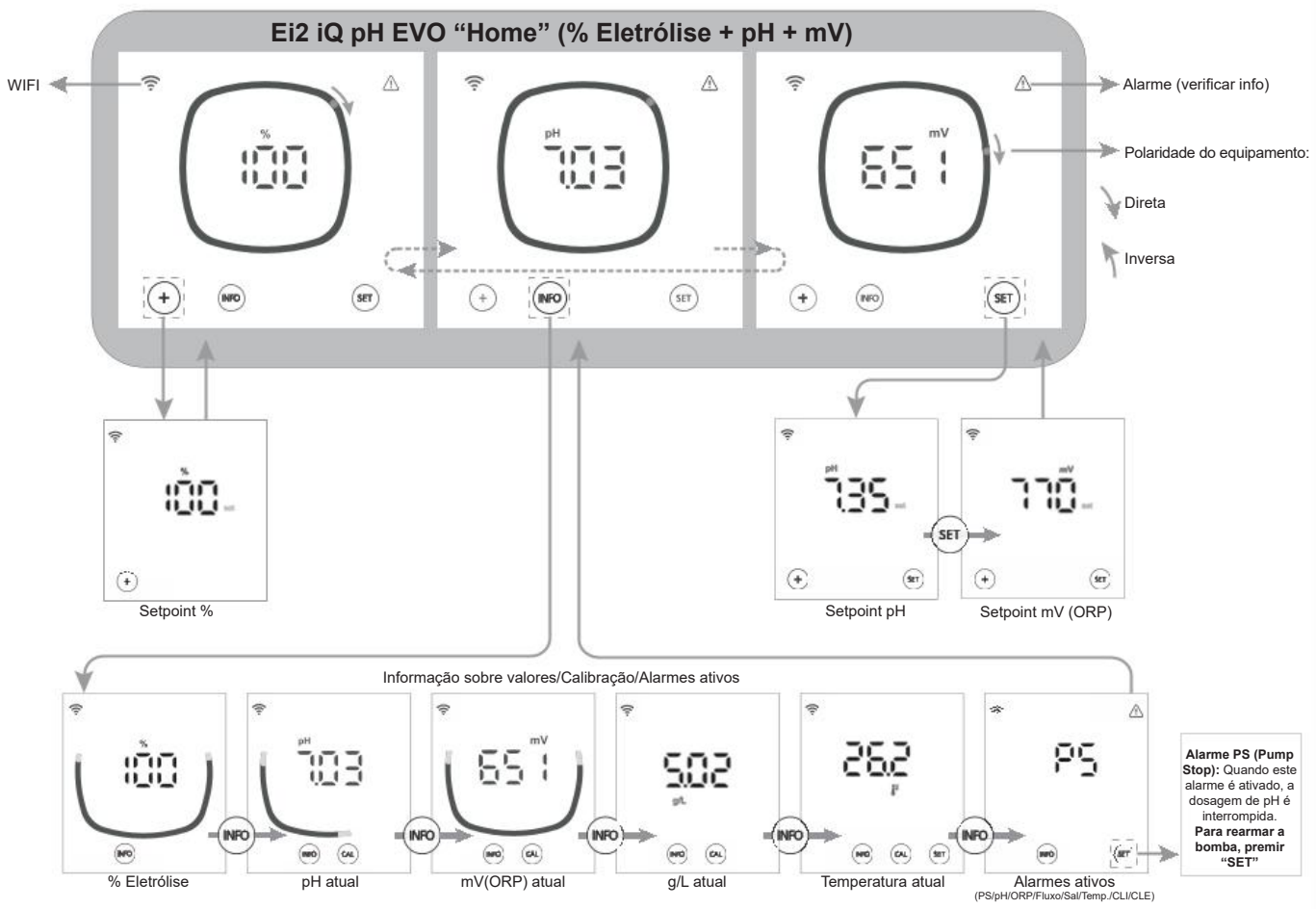
Vista interior



Seqüência de arranque, ativação/desativação dos drivers WIFI e pH/ORP



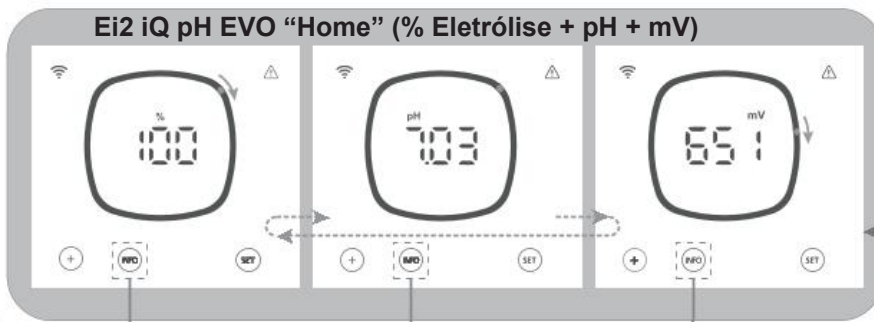
Interface do utilizador



Menu de configuração



Consulte o manual completo para mais informações sobre as configurações do equipamento.



Configuração Alarmes



Premir "INFO" durante 5 segundos até aparecer "CFG" no ecrã.

Versão fw do equipamento

Modelo e técnicas ativas

Inversão de polaridade

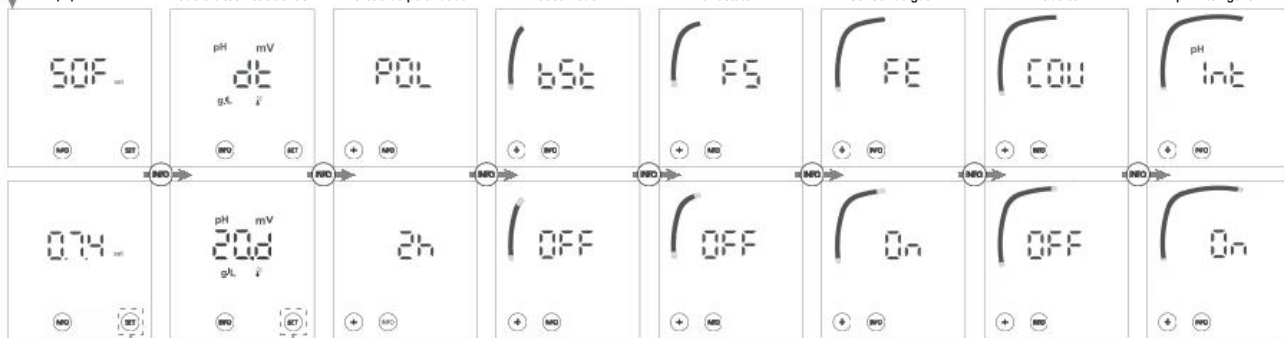
Boost Modo

Fluxostato

Sensor de gás

Cobertor

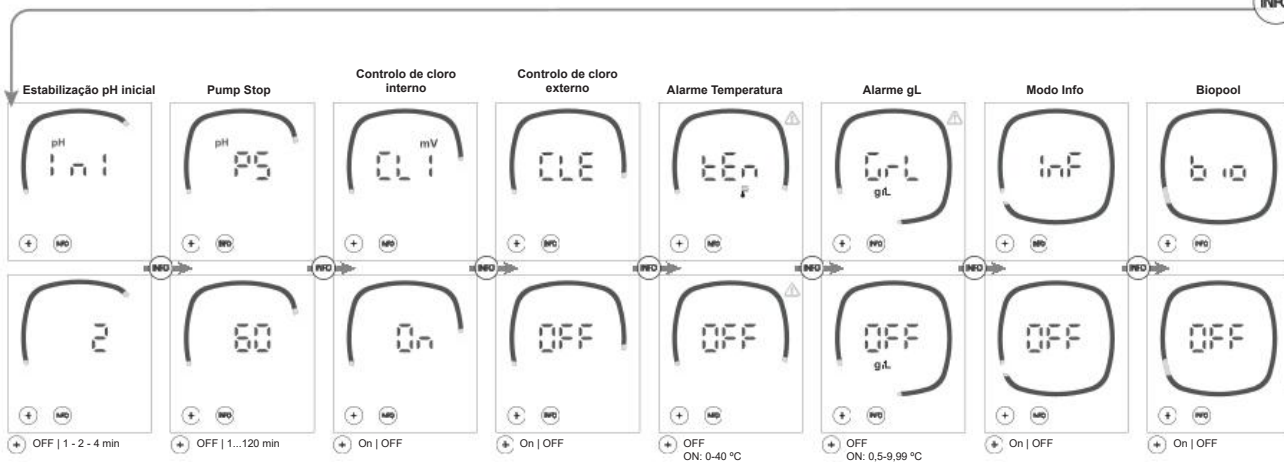
pH Intelligent



Modelo 12/20/25
pH ORP on/off on/off

Reset para configuração por defeito

Horas Eletrólise
Horas bomba pH




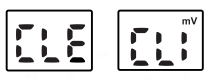
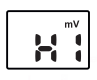
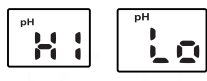

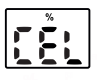
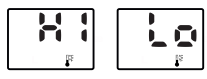
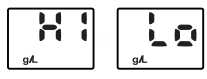
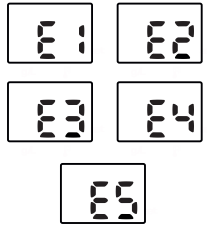
Nota: Configuração por defeito mostrada nos ecrãs

Ligação a Fluidra Pool



- 1) Descarregar e instalar a aplicação FLUIDRA POOL.
- 2) Criar uma conta de utilizador e configurar os parâmetros da piscina.
- 3) Ativar o modo de emparelhamento no equipamento ("+" & "INFO" simultaneamente durante 5 s).
- 4) Na aplicação FLUIDRA POOL, clicar em adicionar equipamento e seguir as instruções.

Resolução de problemas frequentes

Mensagem	Solução										
<p>Alarme de fluxo</p> <ul style="list-style-type: none"> - Sensor de Gás (FE) - Sensor de fluxo (FS) 	<p>O alarme de fluxo aparece quando a célula (sensor de gás do eletrodo) não está completamente inundada ou porque não há fluxo de água (sensor de fluxostato).</p> <ul style="list-style-type: none"> • Verificar a bomba, o filtro e a válvula de backwashing. Limpar se necessário. 										
<p>Alarme STOP CL</p> 	<p>O alarme STOP CL pode aparecer por uma de 3 razões:</p> <p>CLE = Parado por um controlador externo</p> <ul style="list-style-type: none"> • Verificar o regulador externo (ORP/ppm) e a leitura. • Se não houver um regulador externo, desativar a função CLE (CLE=off) ou a produção não arrancará. <p>CLI = Parado pelo valor de ClmV ou Clppm no aparelho.</p> <ul style="list-style-type: none"> • Verificar o nível de cloro da piscina com um fotômetro ou uma tira de teste. • Limpar e calibrar o sensor de ORP/ppm, se necessário 										
<p>ORP (mV) - Alarme Alto</p> 	<p>Os alarmes baixo e alto aparecem se a medição estiver fora dos valores de segurança definidos.</p> <p>Os valores de segurança ClmV alto não são modificáveis.</p> <table border="1" data-bbox="790 638 1157 750"> <thead> <tr> <th>Modo</th> <th>Alarme de ORP alto</th> </tr> </thead> <tbody> <tr> <td>Standard</td> <td>ClmV > 855</td> </tr> <tr> <td>Biopool</td> <td>ClmV > 855</td> </tr> </tbody> </table> <ul style="list-style-type: none"> • Verificar o nível de cloro da piscina com um fotômetro ou uma tira de teste. • Limpar e calibrar o sensor de ORP, se necessário. • Se houver um valor baixo de cloro livre e um valor alto de cloro total, realizar um tratamento de choque com cloro (com hipoclorito de sódio) para reduzir as cloraminas. • Se os valores ppm de cloro forem elevados e a leitura de mV for baixa, verificar a concentração de ácido cianúrico. Se os valores forem superiores a 60 ppm, esvaziar parcialmente a piscina. Aumentar a filtragem diária. • Se, durante o processo de calibração, o desvio for elevado (± 60 mV na solução de 470 mV), o equipamento comunicará um erro de medição, que pode ser causado por uma deterioração do sensor ou da solução de calibração. 	Modo	Alarme de ORP alto	Standard	ClmV > 855	Biopool	ClmV > 855				
Modo	Alarme de ORP alto										
Standard	ClmV > 855										
Biopool	ClmV > 855										
<p>Alarme pH Baixo/Alto</p> 	<p>Os alarmes baixo e alto aparecem se a medição estiver fora dos valores de segurança definidos.</p> <p>Estes valores de segurança não são modificáveis. (Se o alarme de pH alto aparecer, a bomba de pH será desligada por razões de segurança.):</p> <table border="1" data-bbox="678 1008 1268 1120"> <thead> <tr> <th>Modo</th> <th>Alarme de pH baixo</th> <th>Alarme de pH alto</th> </tr> </thead> <tbody> <tr> <td>Standard</td> <td>pH < 6,5</td> <td>pH > 8,5</td> </tr> <tr> <td>Biopool</td> <td>pH < 6,0</td> <td>pH > 9,0</td> </tr> </tbody> </table> <ul style="list-style-type: none"> • Verificar o nível de pH da piscina com um fotômetro ou uma tira de teste. • Limpar e calibrar o sensor de pH, se necessário. Consultar as secções 6.1, 6.2 e 8 do manual para obter mais informações sobre a manutenção dos sensores. • O pH da piscina deve ser reduzido manualmente para 8,45 (modo Standard) ou 8,95 (modo Biopool) para que a bomba comece a dosear novamente. • Se, durante o processo de calibração, o desvio for elevado (± 1 unidade de pH), o equipamento comunicará um erro de medição, que pode ser causado por uma deterioração do sensor ou da solução de calibração. 	Modo	Alarme de pH baixo	Alarme de pH alto	Standard	pH < 6,5	pH > 8,5	Biopool	pH < 6,0	pH > 9,0	
Modo	Alarme de pH baixo	Alarme de pH alto									
Standard	pH < 6,5	pH > 8,5									
Biopool	pH < 6,0	pH > 9,0									
<p>Alarme PUMP STOP</p> 	<p>Quando a FUNÇÃO PUMP STOP está ativada (60 minutos por defeito), o sistema para a bomba doseadora após um tempo programado sem ter atingido o setpoint de pH.</p> <ul style="list-style-type: none"> • Verificar o valor de pH da piscina com um fotômetro ou uma tira de teste. • Limpar e calibrar o sensor de pH, se necessário • Verificar e ajustar a alcalinidade da água (consultar o especialista em piscinas). • Verificar os níveis de ácido na garrafa. 										
<p>Alarme de célula</p> 	<p>O alarme de célula aparece quando os dispositivos detetam que o eletrodo está no fim da sua vida útil (passivado). A vida útil estimada dos eletrodos é de 8000 a 10.000 h</p> <ul style="list-style-type: none"> • Substituir o eletrodo, se for necessário 										
<p>Alarme de sensor de TEMPERATURA Baixa/Alta</p> 	<ul style="list-style-type: none"> • O alarme de temperatura aparece quando os valores de temperatura estiverem fora dos valores configurados pelo utilizador. (Alarme de temperatura desativado por defeito) • Quando a temperatura da água é muito baixa, o equipamento não atinge 100% da produção devido à baixa condutividade. 										
<p>Alarme g/L baixo/alto</p> 	<ul style="list-style-type: none"> • Tal como o alarme de temperatura, este alarme aparece quando os valores g/L de sal estiverem fora dos valores definidos configurados pelo utilizador. (Alarme g/L desativado por defeito) • Normalmente, quando o valor g/L é demasiado baixo ou demasiado alto, tal afeta a produção do aparelho, devido à condutividade da água. 										
<p>Alarmes E1....E5</p> 	<table border="1" data-bbox="478 1758 1461 2051"> <tbody> <tr> <td>E1</td> <td>Quando o tempo de calibração for superior a 5 minutos sem intervenção do utilizador</td> </tr> <tr> <td>E2</td> <td>Quando o desvio entre as leituras durante o processo de calibração é superior ao intervalo permitido (p. ex.: sensor defeituoso) <ul style="list-style-type: none"> • Temperatura: Desvio de ± 20 °C • pH: Desvio de ± 1 unidade de pH • ORP: Desvio de ± 60 mV na solução de 470 mV </td> </tr> <tr> <td>E3</td> <td>-</td> </tr> <tr> <td>E4</td> <td>Não é possível calibrar T, pH Veloz e salinidade (g/L) quando a filtragem está desligada</td> </tr> <tr> <td>E5</td> <td>Ativado quando a calibração não puder ser realizada, se: <ul style="list-style-type: none"> • Temperatura: Não há NTC. • Salinidade g/L: A produção é inferior a 30%. • pH/ORP: Não há driver ou o sistema está a ser inicializado. </td> </tr> </tbody> </table>	E1	Quando o tempo de calibração for superior a 5 minutos sem intervenção do utilizador	E2	Quando o desvio entre as leituras durante o processo de calibração é superior ao intervalo permitido (p. ex.: sensor defeituoso) <ul style="list-style-type: none"> • Temperatura: Desvio de ± 20 °C • pH: Desvio de ± 1 unidade de pH • ORP: Desvio de ± 60 mV na solução de 470 mV 	E3	-	E4	Não é possível calibrar T, pH Veloz e salinidade (g/L) quando a filtragem está desligada	E5	Ativado quando a calibração não puder ser realizada, se: <ul style="list-style-type: none"> • Temperatura: Não há NTC. • Salinidade g/L: A produção é inferior a 30%. • pH/ORP: Não há driver ou o sistema está a ser inicializado.
E1	Quando o tempo de calibração for superior a 5 minutos sem intervenção do utilizador										
E2	Quando o desvio entre as leituras durante o processo de calibração é superior ao intervalo permitido (p. ex.: sensor defeituoso) <ul style="list-style-type: none"> • Temperatura: Desvio de ± 20 °C • pH: Desvio de ± 1 unidade de pH • ORP: Desvio de ± 60 mV na solução de 470 mV 										
E3	-										
E4	Não é possível calibrar T, pH Veloz e salinidade (g/L) quando a filtragem está desligada										
E5	Ativado quando a calibração não puder ser realizada, se: <ul style="list-style-type: none"> • Temperatura: Não há NTC. • Salinidade g/L: A produção é inferior a 30%. • pH/ORP: Não há driver ou o sistema está a ser inicializado. 										



WAARSCHUWING

De meegeleverde beknopte handleiding bevat alleen basisinformatie over veiligheidsmaatregelen die tijdens installatie, onderhoud en opstarten geïmplementeerd moeten worden.

De volledige handleiding kunt u als PDF-bestand raadplegen en downloaden door middel van de QR-code of op de volgende website: <https://www.zodiac.com>. Montage-, elektrische installatie- en onderhoudswerkzaamheden mogen uitsluitend worden uitgevoerd door gekwalificeerd en geautoriseerd personeel dat alle installatie- en service-instructies zorgvuldig heeft gelezen.



Algemene kenmerken:

- Zodra het zoutelektrolysesysteem bij u geïnstalleerd is, is het nodig om een bepaalde hoeveelheid zout in het water te laten oplossen. Het zoutelektrolysesysteem bestaat uit twee elementen: een elektrolysecel en een besturingseenheid. De elektrolysecel is uitgerust met een bepaald aantal titanium platen (elektroden). Wanneer deze platen onder elektrische stroom worden gezet en er een zoutoplossing langs stroomt, wordt er vrij chloor geproduceerd.
- Door de concentratie chloor in het badwater op een bepaald niveau te houden, kan de waterkwaliteit gewaarborgd worden. Het zoutelektrolysesysteem produceert chloor wanneer het filteringssysteem van het zwembad (pomp en filter) in bedrijf is.
- De besturingseenheid beschikt over meerdere beveiligingsmechanismen, die geactiveerd worden bij een verminderde werking van het systeem, evenals over een microbesturingseenheid.
- De zoutelektrolysesystemen beschikken over een automatisch reinigingssysteem dat de vorming van aanslag op de elektroden voorkomt.

⚠ Veiligheidswaarschuwingen en aanbevelingen:

- De montage of bediening mag uitsluitend worden uitgevoerd door gekwalificeerd personeel.
- De geldende normen ter preventie van ongevallen, alsmede die met betrekking tot elektrische installaties, dienen in acht te worden genomen.
- Vergeet bij installatie niet dat het apparaat van de stroom losgekoppeld moet worden om een (automatische) schakelaar te installeren die voldoet aan de normen IEC 60947-1 en IEC 60947-3 en die omnipolaire onderbreking garandeert. Deze moet rechtstreeks aangesloten zijn op de voedingsklemmen en moet op al zijn polen een contactafstand hebben, waardoor volledige loskoppeling plaatsvindt conform overspanningsvoorwaarden uit categorie III, in een gebied dat voldoet aan de veiligheidseisen voor de locatie. De schakelaar moet zich in de directe nabijheid van het apparaat bevinden en moet gemakkelijk toegankelijk zijn. Bovendien moet dit als ontkoppelmecanisme worden aangegeven.
- De apparatuur moet via een aardlekschakelaar van maximaal 30 mA (RDC) worden gevoed. De apparatuur moet elektrisch geaard zijn.
- De installatie moet voldoen aan de norm IEC / HD 60364-7-702 en aan de nationale normen met betrekking tot zwembaden.
- De fabrikant draagt in geen geval aansprakelijkheid voor de montage, installatie of inbedrijfstelling, noch voor enige behandeling of inbouw van componenten, evenals alle werkzaamheden en toevoeging van onderdelen die niet in zijn eigen vestiging zijn uitgevoerd.
- Dit apparaat mag niet door personen (met name ook kinderen) met verminderde fysieke, zintuiglijke of mentale capaciteiten of met een gebrek aan ervaring en kennis gebruikt worden, mits zij onder voldoende toezicht staan en voldoende onderricht hebben ontvangen over het gebruik van het apparaat door iemand die verantwoordelijk is voor hun veiligheid. Kinderen moeten onder toezicht staan om te voorkomen dat ze met het apparaat spelen.
- Als de voedingskabel beschadigd is, moet deze door de fabrikant, de klantenservice of vergelijkbaar gekwalificeerd personeel vervangen worden om gevaarlijke situaties te voorkomen.
- Probeer geen ingrepen aan de besturingseenheid door te voeren om op een andere spanning te kunnen werken.
- Controleer of alle elektrische aansluitingen stevig vastzitten om slechte contacten en daarmee gepaard gaande oververhitting te voorkomen.
- Controleer voordat u onderdelen van het systeem gaat installeren of vervangen of deze al van de netspanning is losgekoppeld en dat er niets door stroomt. Gebruik uitsluitend originele reserveonderdelen.
- Aangezien het apparaat verhit raakt, is het zaak om het op een goed geventileerde plaats te installeren. Installeer het apparaat niet in de nabijheid van brandbare materialen.
- Hoewel het apparaat een zekere mate van IP-bescherming heeft, hij mag het nooit geïnstalleerd worden in ruimtes die door overstromingen getroffen kunnen worden.
- Dit apparaat is ontwikkeld voor permanente aansluiting op de watervoorziening en mag niet met een tijdelijke slang aangesloten worden.
- Dit apparaat heeft een montagesteun om het aan te bevestigen (zie de montage-instructies).

Inbedrijfstelling

1. Controleer of de filter 100% schoon is en of het water van het zwembad en de installatie geen koper, ijzer of algen bevatten. Ga na of de geïnstalleerde verwarmingsinstallatie compatibel is met zout water.
2. Zorg voor een goede waterbalans, om een efficiëntere behandeling en een lagere concentratie vrij chloor in het badwater mogelijk te maken, evenals een langer durende werking van de elektroden doordat er minder kalkaanslag in het zwembad ontstaat.
3. Het systeem heeft een werkingsbereik van 3,5-10 g/L en er moet worden gestreefd naar het handhaven van het aanbevolen optimale zoutgehalte van 4 g/L.
4. Compatibel met MagnaPool, zie hoofdstuk 2.8 van de handleiding.
5. Alvorens het zoutelektrolyseapparaat in bedrijf te stellen, dient u de besturingseenheid uit te schakelen en de filtratiepomp gedurende 24 uur te laten draaien om te kunnen garanderen dat het zout volledig is opgelost.
6. Stel vervolgens het zoutelektrolysesysteem in werking met een productieniveau waarbij de concentratie vrij chloor binnen het aanbevolen bereik blijft (0,5 - 2 ppm).
7. Compatibel met MagnaPool, zie hoofdstuk 2.8 van de handleiding.

Waterbalans in zwembad

Houd de volgende waterwaarden aan:

- Totale alkaliniteit tussen 80 en 150 mg/L (ppm)
- pH tussen 7,2 y 7,6
- Vrij chloor tussen 0,5 en 2 mg/L (ppm)

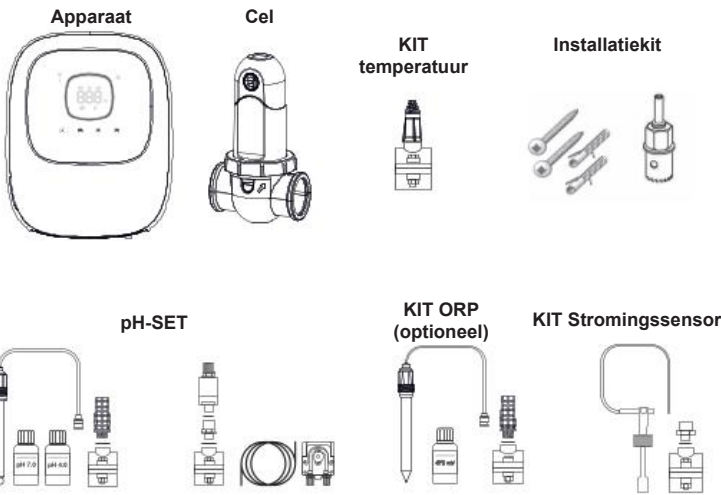
- Chloorstabilisator 25-30 mg/L (ppm). Bij zwembaden waar veel zonlicht op valt of die intensief gebruikt worden, wordt aangeraden een concentratie stabilisatiemiddel (cyanuurzuur) van 25-30 mg/liter aan te houden.



Raadpleeg de volledige handleiding voor meer informatie over:

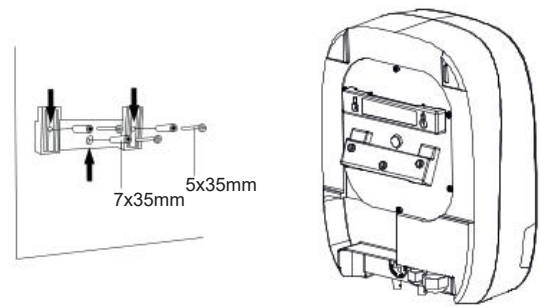
- Installatie en kalibratie van de pH-, ORP-, g/l- en temperatuursensoren.
- Onderhoud van de elektrolysecel en slangenpompen.

Onderdelen en installatie



pH KIT en ORP KIT alleen verkrijgbaar voor Ei2 iQ pH EVO modellen.

Wandapparatuur installeren



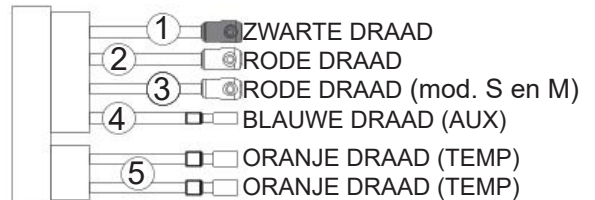
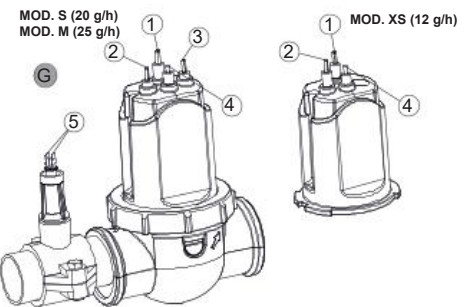
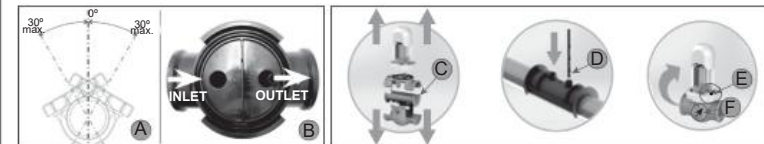
LET OP: Installeer het apparaat altijd verticaal op een stevige ondergrond en op een droge en geventileerde plaats. Aanbevolen wordt om het apparaat te installeren op plaatsen die niet aan de elementen blootgesteld zijn. Vermijd de vorming een corrosieve atmosfeer.



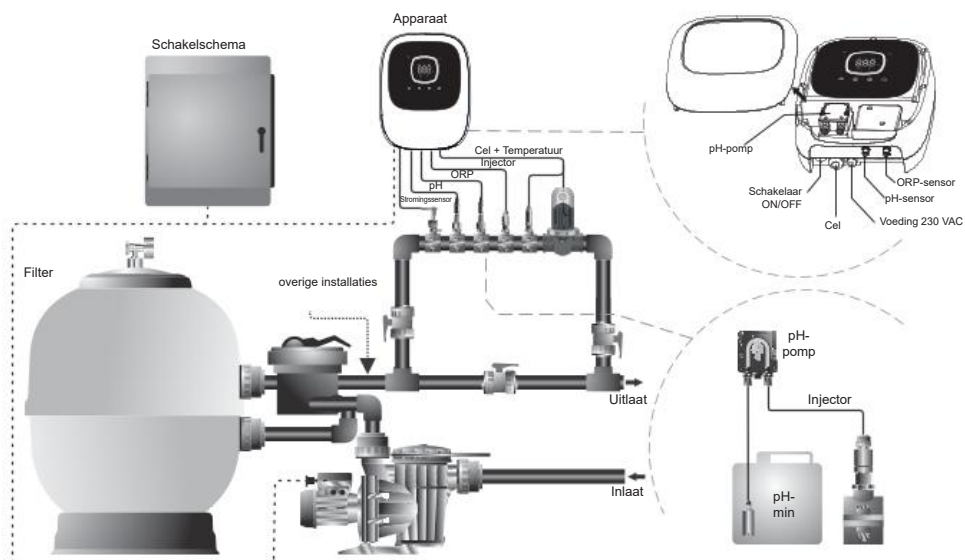
Voor meer informatie over installatie en bedrading, raadpleeg de volledige handleiding.

Elektrolysecel aansluiten

- De cel moet in een horizontale buis geïnstalleerd worden om ervoor te zorgen dat de waterstroom erdoorheen gaat, met een hoek of hellingshoek die niet groter is dan 30° (A)
- Houd rekening met de stroomrichting van het water. (B)
- Bouw de cel uit. (C)
- Plaats het EU-buisverloopstuk (DN50 mm) andersom op de gewenste plek van de buis (D). Markeer met een boor of priem de plaats van de te boren gaten in de buis. Verwijder het verloopstuk en boor de gaten met de meegeleverde boor.
- Haak het onderste en bovenste deel van de kraagbeugel van de cel vast op de buis ter hoogte van de gaten; let hierbij op de stroomrichting van het water (C).
- Positioneer het doorzichtige bovenste deel van de cel (aanwezigheid van een positie-indicator), plaats de klemring op de schroefdraad van de bovenste kraagbeugel (let op: het punt (E) van de kraagbeugel moet samenvallen met de pijl op de kraagbeugel (F)) en draai deze vervolgens goed vast met de hand (**zonder gereedschap te gebruiken**).
- Sluit de voedingskabel van de cel aan; let daarbij op de kleurcodes van de kabels (G) (rode, zwarte en blauwe connector(en)); breng vervolgens de beschermkap aan.

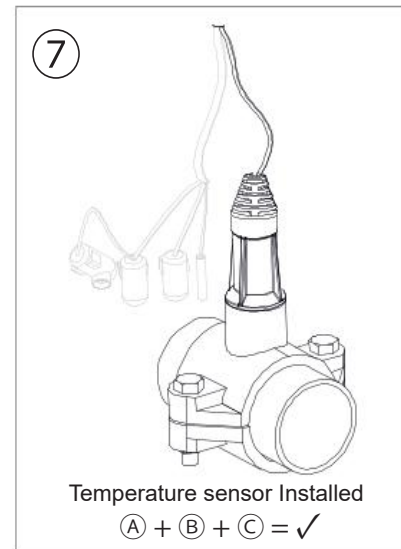
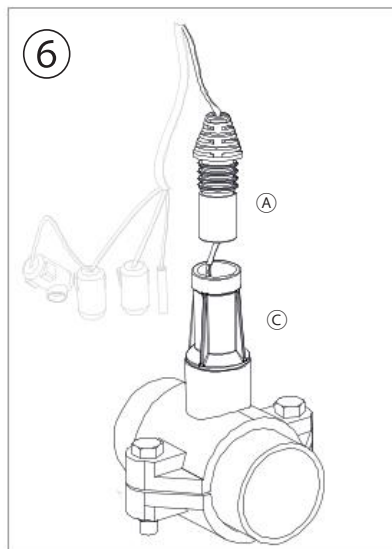
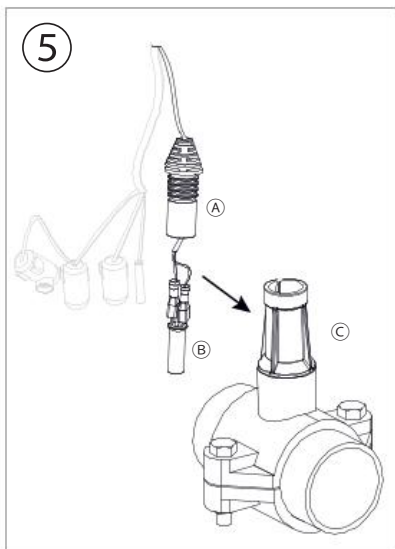
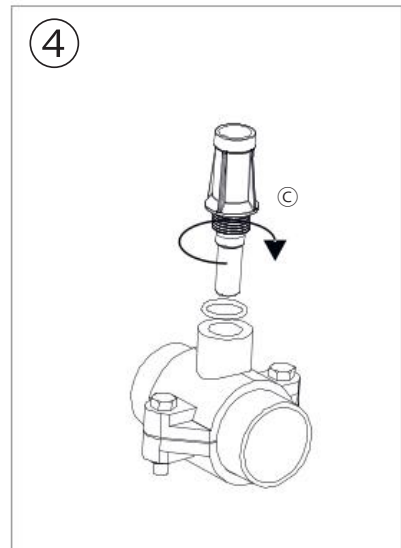
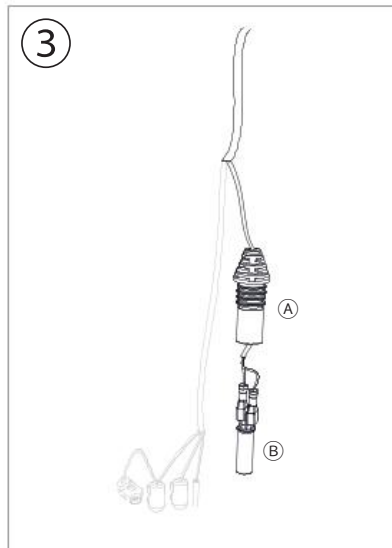
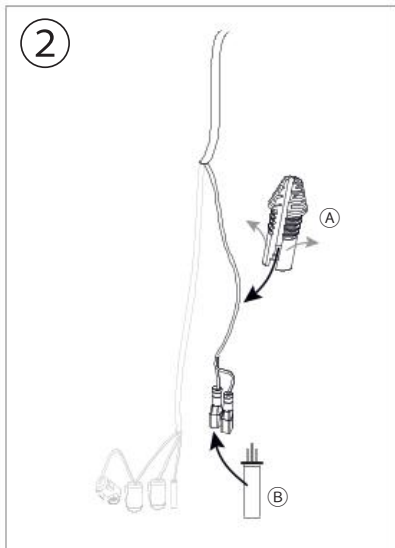
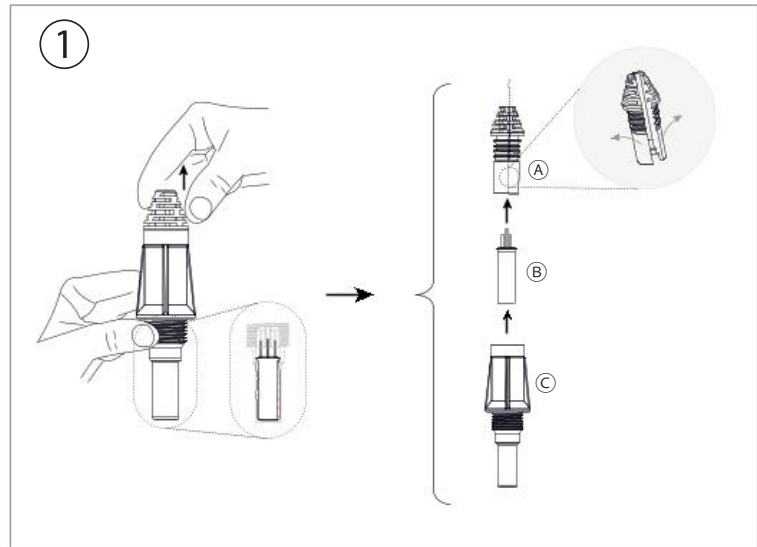
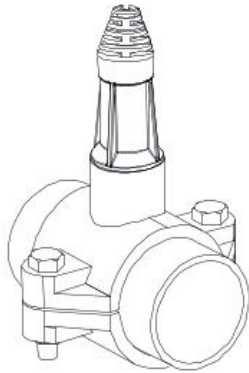


Installatieschema

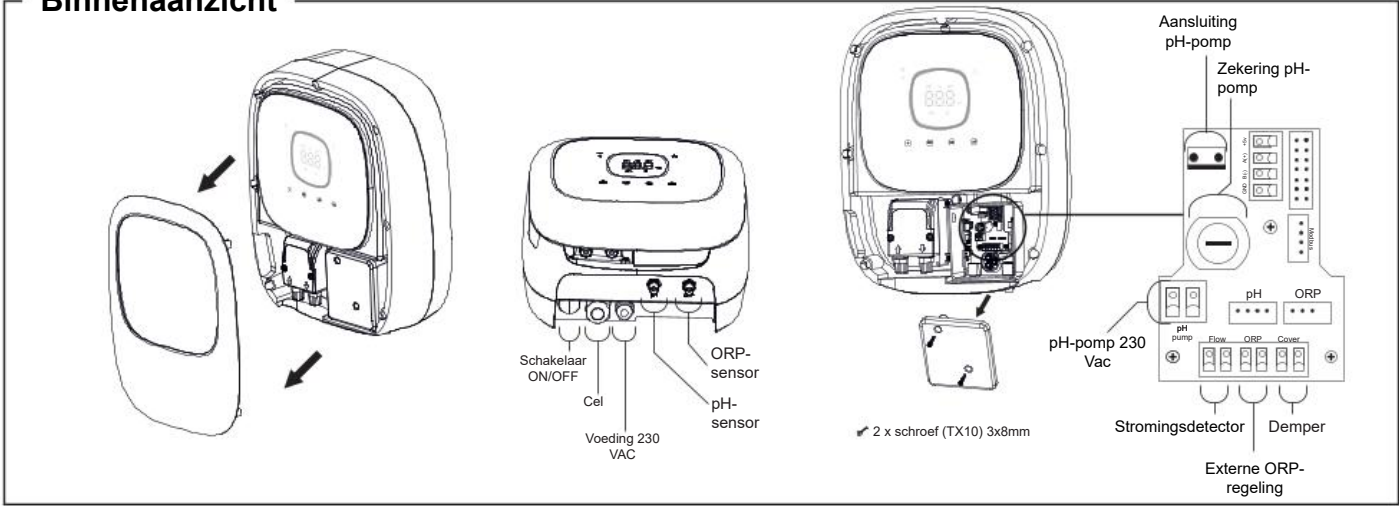


Opmerking: In dit schema ziet u een installatie van een Ei2 iQ pH EVO model met alle geïnstalleerde opties. Dit schema kan verschillen afhankelijk van het aangeschafte model.

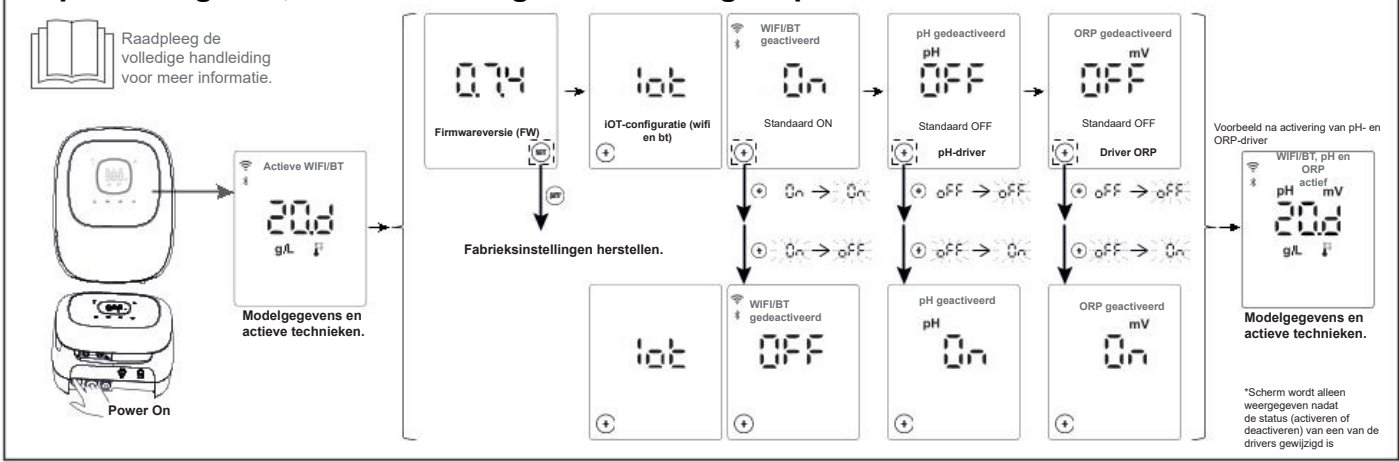
KIT temperatuur: Onderdelen en installatie



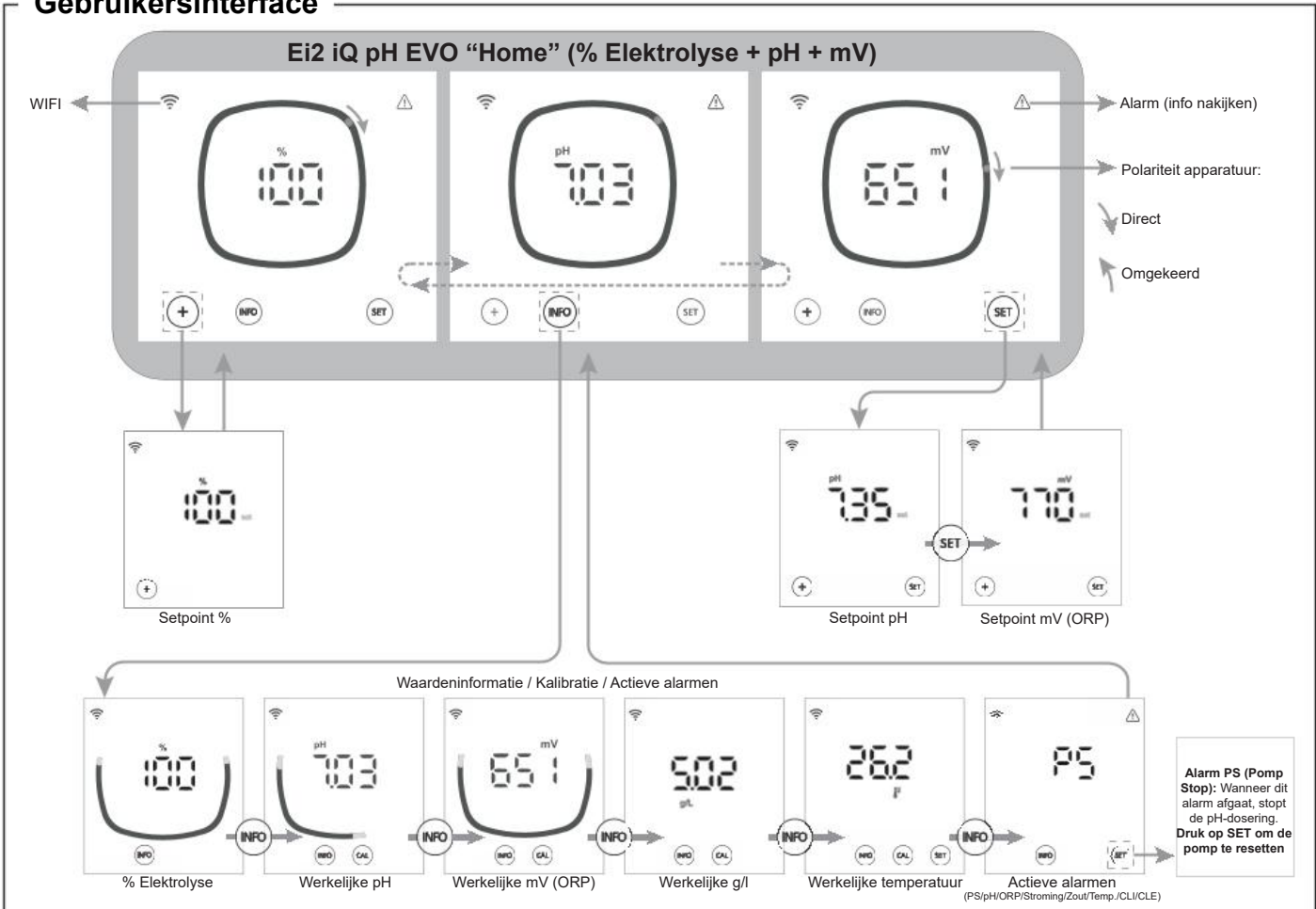
Binnenaanzicht



Opstartvolgorde, WIFI-activering/-deactivering en pH/ORP-drivers



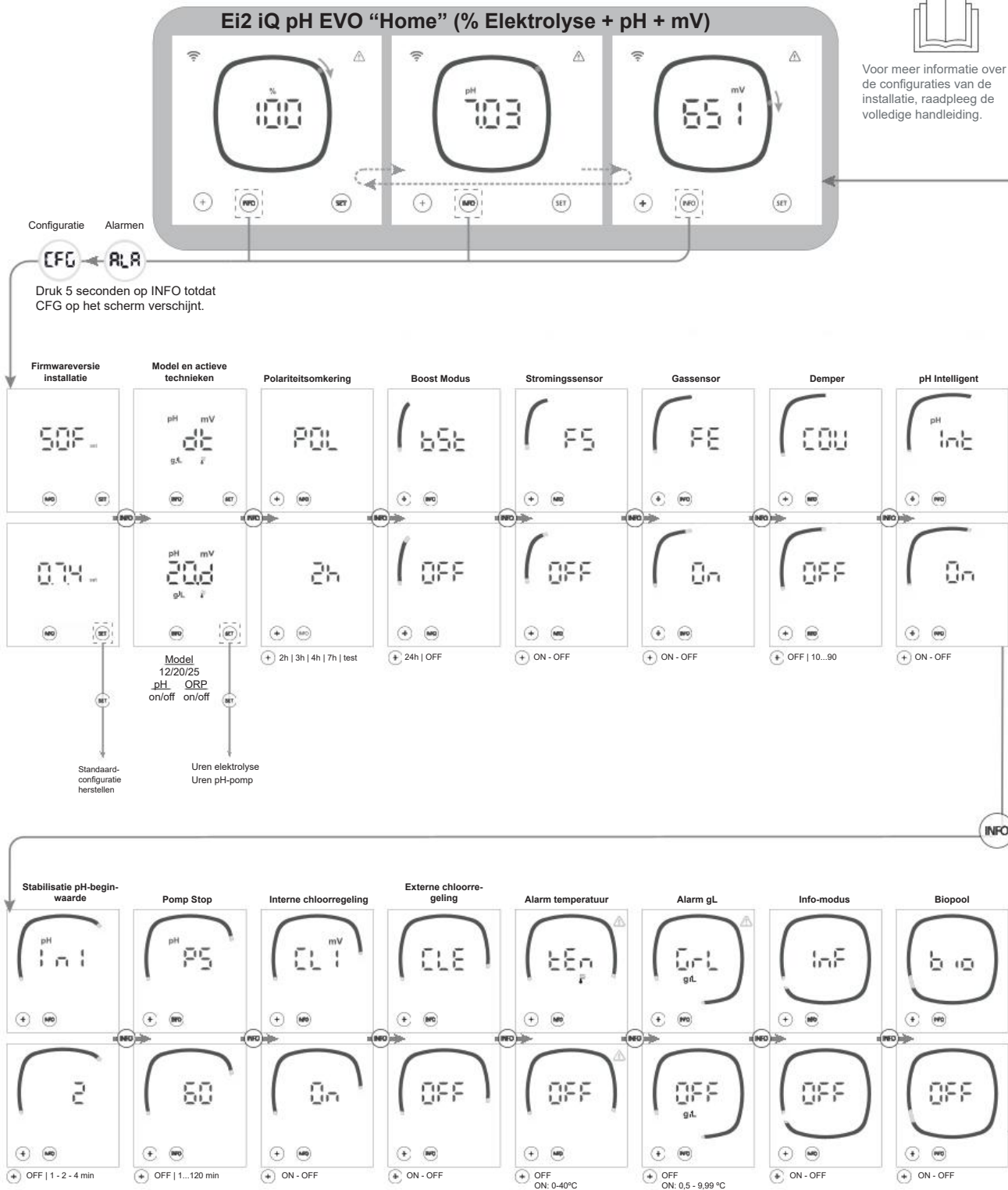
Gebruikersinterface



Menu Instellingen



Voor meer informatie over de configuraties van de installatie, raadpleeg de volledige handleiding.


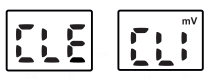
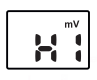
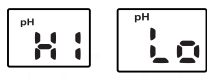

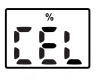
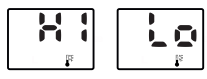
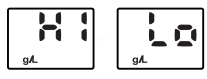
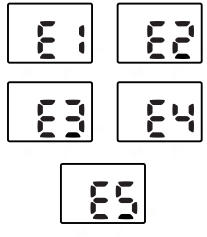


Aansluiten op Fluidra Pool



- 1) Download en installeer de app FLUIDRA POOL.
- 2) Maak een gebruikersaccount aan en configureer de zwembadwaarden.
- 3) Activeer de koppelingsmodus op het apparaat ("+" & "INFO" 5 sec. gelijktijdig indrukken).
- 4) Klik in de FLUIDRA POOL-applicatie op Apparaat toevoegen en volg de aanwijzingen.

Veelvoorkomende problemen oplossen

Bericht	Oplossing										
<p>Stromingsalarm - Gassensor (F.I.) - Stromingssensor (F.U.)</p> 	<p>Het stromingsalarm verschijnt als de cel niet volledig onder water staat (gassensor van de elektrode) of als er geen waterstroming is (stromingssensor).</p> <ul style="list-style-type: none"> Controleer de pomp, het filter en de spoelklep. Maak indien nodig schoon. 										
<p>STOP CL-alarm</p> 	<p>Het STOP Cl-alarm kan om een van deze 3 redenen verschijnen:</p> <p>CLE = stopgezet door externe controller</p> <ul style="list-style-type: none"> Controleer de externe regelaar (ORP/ppm) en controleer de waarde. Heeft u geen externe regelaar, schakel dan de CLE uit (CLE=off). Anders start de productie niet. <p>CLI = stopgezet door ClmV- of Clppm-waarde in het apparaat.</p> <ul style="list-style-type: none"> Controleer de concentratie chloor in het zwembad met een fotometer of teststrip. Reinig de ORP/ppm-sensor en kalibreer deze indien nodig 										
<p>ORP (mV) - Alarm Hoog</p> 	<p>Er verschijnen lage en hoge alarmen als de meting buiten de ingestelde beveiligingswaarden valt.</p> <p>De hoge ClmV-beveiligingswaarden kunnen niet gewijzigd worden:</p> <table border="1" data-bbox="790 638 1157 750"> <thead> <tr> <th>Modus</th> <th>Alarm Hoog ORP</th> </tr> </thead> <tbody> <tr> <td>Standaard</td> <td>ClmV > 855</td> </tr> <tr> <td>Biopool</td> <td>ClmV > 855</td> </tr> </tbody> </table> <ul style="list-style-type: none"> Controleer de concentratie chloor in het zwembad met een fotometer of teststrip. Reinig de ORP-sensor en kalibreer deze indien nodig. Als deze een lage waarde vrij chloor en een hoge waarde totale chloor aangeeft, voer dan een chloorschok uit (met natriumhypochloriet) om de chlooramines te verminderen. Als de chloor-ppm-waarde hoog en de mV-waarde laag is, controleer dan de concentratie cyanuurzuur. Worden waarden hoger dan 60 ppm gemeten, maak het zwembad dan gedeeltelijk leeg. Verhoog de dagelijkse filtratie. Is de afwijking tijdens het kalibratieproces groot (± 60 mV in de 470 mV-oplossing), dan meldt het apparaat een meefout, die mogelijk te wijten is aan schade aan de sensor of aan een verouderde kalibratieoplossing. 	Modus	Alarm Hoog ORP	Standaard	ClmV > 855	Biopool	ClmV > 855				
Modus	Alarm Hoog ORP										
Standaard	ClmV > 855										
Biopool	ClmV > 855										
<p>pH-alarm Laag/Hoog</p> 	<p>Er verschijnen lage en hoge alarmen als de meting buiten de ingestelde beveiligingswaarden valt.</p> <p>Deze beveiligingswaarden kunnen niet gewijzigd worden (als het alarm Hoog pH verschijnt, wordt de pH-pomp om veiligheidsredenen uitgeschakeld.):</p> <table border="1" data-bbox="678 1008 1268 1120"> <thead> <tr> <th>Modus</th> <th>Alarm Laag pH</th> <th>Alarm Hoog pH</th> </tr> </thead> <tbody> <tr> <td>Standaard</td> <td>pH < 6,5</td> <td>pH > 8,5</td> </tr> <tr> <td>Biopool</td> <td>pH < 6,0</td> <td>pH > 9,0</td> </tr> </tbody> </table> <ul style="list-style-type: none"> Controleer de pH-waarde in het zwembad met een fotometer of teststrip. Reinig de pH-sensor en kalibreer deze indien nodig. Voor meer informatie over sensoronderhoud, zie paragrafen 6.1 - 6.2 en 8 in de handleiding. De pH-waarde van het zwembad moet handmatig naar 8,45 (standaardmodus) of 8,95 (Biopoolmodus) worden verlaagd voordat de pomp opnieuw kan doseren. Is de afwijking tijdens het kalibratieproces groot (± 1 pH-eenheid), dan meldt het apparaat een meefout, die mogelijk te wijten is aan schade aan de sensor of aan een verouderde kalibratieoplossing. 	Modus	Alarm Laag pH	Alarm Hoog pH	Standaard	pH < 6,5	pH > 8,5	Biopool	pH < 6,0	pH > 9,0	
Modus	Alarm Laag pH	Alarm Hoog pH									
Standaard	pH < 6,5	pH > 8,5									
Biopool	pH < 6,0	pH > 9,0									
<p>POMP-STOP alarm</p> 	<p>Wanneer de POMP-STOP FUNCTIE geactiveerd is (standaard 60 min), stopt het systeem de doseerpomp na een geprogrammeerde tijd zonder dat het pH-instelpunt is bereikt.</p> <ul style="list-style-type: none"> Controleer de pH-waarde in het zwembad met een fotometer of teststrip. Reinig de pH-sensor en ijk deze indien nodig Controleer de alkaliteit van het water en stel deze bij (raadpleeg uw zwembadspecialist). Controleer het zuurniveau in de jerrycan. 										
<p>Celalarm</p> 	<p>Het celalarm verschijnt wanneer de apparaten detecteren dat de elektrode het einde van zijn levensduur bereikt heeft (gepassiveerd). Geschatte levensduur van de elektroden = 8.000 - 10.000 uur</p> <ul style="list-style-type: none"> Vervang de elektrode indien nodig 										
<p>Alarm TEMPERATUURvoeler Laag/Hoog</p> 	<ul style="list-style-type: none"> Het temperatuuralarm verschijnt wanneer de temperatuurwaarden buiten de door de gebruiker ingestelde waarden vallen (temperatuuralarm standaard uitgeschakeld). Wanneer de watertemperatuur erg laag is, zal de apparatuur vanwege het lage geleidingsvermogen geen 100% productie halen. 										
<p>Alarm g/l Laag/Hoog</p> 	<ul style="list-style-type: none"> Net als bij het temperatuuralarm verschijnt dit alarm wanneer de zout-g/l-waarden buiten de ingestelde waarden vallen (g/l-alarm standaard uitgeschakeld). Wanneer de g/l-waarde zeer laag of zeer hoog is, zal dit normaal gesproken de productie van het apparaat beïnvloeden vanwege het geleidingsvermogen van het water. 										
<p>Alarmen E1...E5</p> 	<table border="1" data-bbox="478 1758 1461 2051"> <tbody> <tr> <td>E1</td> <td>Wanneer de kalibratie langer dan 5 min duurt zonder tussenkomst van de gebruiker</td> </tr> <tr> <td>E2</td> <td>Wanneer de afwijking tussen de metingen tijdens het kalibratieproces groter is dan het toegestane bereik (bijv. defecte sensor) <ul style="list-style-type: none"> Temperatuur: Afwijking van $\pm 20^{\circ}\text{C}$ pH: Afwijking van ± 1 pH-eenheid ORP: Afwijking van ± 60 mV in de 470 mV-oplossing </td> </tr> <tr> <td>E3</td> <td>-</td> </tr> <tr> <td>E4</td> <td>Kan T, pH fast en zoutgehalte (g/l) niet kalibreren als de filtratie is uitgeschakeld</td> </tr> <tr> <td>E5</td> <td>Deze gaat af wanneer de kalibratie niet kan worden uitgevoerd als: <ul style="list-style-type: none"> Temperatuur: Er is geen NTC. Zoutgehalte g/l: De productie bedraagt minder dan 30%. pH/ORP: Er is geen driver beschikbaar óf het systeem is bezig met opstarten. </td> </tr> </tbody> </table>	E1	Wanneer de kalibratie langer dan 5 min duurt zonder tussenkomst van de gebruiker	E2	Wanneer de afwijking tussen de metingen tijdens het kalibratieproces groter is dan het toegestane bereik (bijv. defecte sensor) <ul style="list-style-type: none"> Temperatuur: Afwijking van $\pm 20^{\circ}\text{C}$ pH: Afwijking van ± 1 pH-eenheid ORP: Afwijking van ± 60 mV in de 470 mV-oplossing 	E3	-	E4	Kan T, pH fast en zoutgehalte (g/l) niet kalibreren als de filtratie is uitgeschakeld	E5	Deze gaat af wanneer de kalibratie niet kan worden uitgevoerd als: <ul style="list-style-type: none"> Temperatuur: Er is geen NTC. Zoutgehalte g/l: De productie bedraagt minder dan 30%. pH/ORP: Er is geen driver beschikbaar óf het systeem is bezig met opstarten.
E1	Wanneer de kalibratie langer dan 5 min duurt zonder tussenkomst van de gebruiker										
E2	Wanneer de afwijking tussen de metingen tijdens het kalibratieproces groter is dan het toegestane bereik (bijv. defecte sensor) <ul style="list-style-type: none"> Temperatuur: Afwijking van $\pm 20^{\circ}\text{C}$ pH: Afwijking van ± 1 pH-eenheid ORP: Afwijking van ± 60 mV in de 470 mV-oplossing 										
E3	-										
E4	Kan T, pH fast en zoutgehalte (g/l) niet kalibreren als de filtratie is uitgeschakeld										
E5	Deze gaat af wanneer de kalibratie niet kan worden uitgevoerd als: <ul style="list-style-type: none"> Temperatuur: Er is geen NTC. Zoutgehalte g/l: De productie bedraagt minder dan 30%. pH/ORP: Er is geen driver beschikbaar óf het systeem is bezig met opstarten. 										



UPOZORNĚNÍ

Stručný návod přiložený k tomuto výrobku obsahuje pouze základní informace o bezpečnostních opatřeních, která je třeba při instalaci, údržbě a uvedení do provozu dodržovat.

Kompletní návod je k dispozici ke konzultaci a ke stažení ve formátu PDF na následujících webových stránkách: <https://www.zodiac.com>. Veškeré montážní, elektroinstalační a údržbářské práce musí provádět kvalifikovaný a oprávněný personál, který si pečlivě přečetl všechny pokyny k instalaci a obsluze.



Obecné vlastnosti:

- Po instalaci systému solné elektrolyzy je nutné ve vodě rozpustit určité množství soli. Systém elektrolyzy soli se skládá ze dvou prvků: elektrolyzního článku a řídicí jednotky. Elektrolytický článek obsahuje několik titanových desek (elektrod), takže při průchodu elektrického proudu a průchodu roztoku soli vzniká volný chlor.
- Udržování určité hladiny chlóru v bazénové vodě zajistí její hygienickou kvalitu. Systém elektrolyzy soli produkuje chlor, když je v provozu filtrační systém bazénu (čerpadlo a filtr).
- Řídicí jednotka je vybavena několika bezpečnostními zařízeními, která se aktivují v případě poruchy systému, a také řídicím mikrokontrolérem.
- Systémy solné elektrolyzy mají automatický systém čištění elektrod, který zabraňuje tvorbě inkrustace na elektrodách.

Bezpečnostní upozornění a doporučení:

- Instalaci nebo manipulaci s přístrojem musí provádět pracovníci s příslušnou kvalifikací.
- Je třeba dodržovat platné předpisy pro prevenci úrazů a elektrická zařízení.
- Při instalaci je třeba vzít v úvahu, že pro elektrické odpojení zařízení je nutné zabudovat spínač nebo jistič odpovídající normám IEC 60947-1 a IEC 60947-3, který zajišťuje všesměrové odpojení, je přímo připojen ke svorkám napájení a musí mít ve všech svých pólech oddělení kontaktů, které zajišťuje úplné odpojení v podmínkách přepětí kategorie III, a to v prostoru, který odpovídá bezpečnostním požadavkům daného místa. Spínač musí být umístěn v bezprostřední blízkosti zařízení a musí být snadno přístupný. Musí být navíc označen jako odpojovací prvek zařízení.
- Zařízení musí být napájeno z proudového chrániče, který nepřesahuje 30 mA (RDC). Zařízení musí být elektricky uzemněno.
- Instalace musí být v souladu s IEC / HD 60364-7-702 a platnými státními normami pro bazény.
- Výrobce v žádném případě neodpovídá za montáž, instalaci nebo uvedení do provozu, jakož i za jakoukoli manipulaci nebo zabudování součástí, které nebyly provedeny v jeho provezech.
- Tento spotřebič není určen pro použití osobami (včetně dětí) se sníženými fyzickými, smyslovými nebo duševními schopnostmi nebo s nedostatkem zkušeností či znalostí, pokud jim osoba odpovědná za jejich bezpečnost neposkytne dohled nebo je nepoučí o používání spotřebiče. Děti by měly být pod dohledem, aby se zajistilo, že si se spotřebičem nebudou hrát.
- Pokud je síťový kabel poškozen, musí jej vyměnit výrobce, jeho poprodejní servis nebo podobně kvalifikovaný personál, aby se předešlo případnému nebezpečí.
- Nepokoušejte se měnit řídicí jednotku tak, aby fungovala při jiném napětí.
- Dbejte na pevná elektrická spojení, aby nedošlo k falešným kontaktům a jejich následnému přehřátí.
- Před instalací nebo výměnou jakékoli součásti systému se ujistěte, že byla odpojena od napájení a že jí neprotéká voda. Používejte pouze originální náhradní díly.
- Vzhledem k tomu, že zařízení vytváří teplo, je důležité jej instalovat na dostatečně větraném místě. Neinstalujte v blízkosti hořlavých materiálů.
- I když má zařízení stupeň ochrany IP, v žádném případě by nemělo být instalováno v oblastech vystavených záplavám.
- Toto zařízení je určeno k trvalému připojení přívodu vody a nesmí být připojeno pomocí dočasné hadice.
- Toto zařízení je vybaveno montážním držákem, viz návod k instalaci.

Uvedení do provozu

1. Ujistěte se, že filtr je 100% čistý, že voda bazénu a zařízení neobsahují měď, železo a řasy a že instalované topné zařízení je kompatibilní s přítomností soli ve vodě.
2. Vyvážení vody v bazénu. To nám umožní dosáhnout účinnějšího ošetření s nižší koncentrací volného chlóru ve vodě a také delšího provozu elektrod spolu s nižší tvorbou vápenatých usazenin v bazénu.
3. Systém má provozní rozsah 3,5–10 g/l a mělo by se usilovat o udržení doporučené optimální hladiny soli 4 g/l.
4. Před zahájením pracovního cyklu vypněte řídicí jednotku a nechte běžet-depurační čerpadlo po dobu 24 hodin, aby se zajistilo úplné rozpuštění soli.
5. Poté spusťte systém elektrolyzy soli a nastavte úroveň produkce elektrolyzy soli tak, aby se hladina volného chlóru udržovala v doporučených hodnotách (0,5 - 2 ppm).
6. Kompatibilní s MagnaPool, viz kapitola 2.8 manuálu.

Vyváženost bazénu

Udržujte následující parametry vody:

- Celková alkalita v rozmezí 80 až 150 mg/l (ppm)
- pH mezi 7,2 a 7,6
- Volný chlor mezi 0,5 a 2 mg/l (ppm)

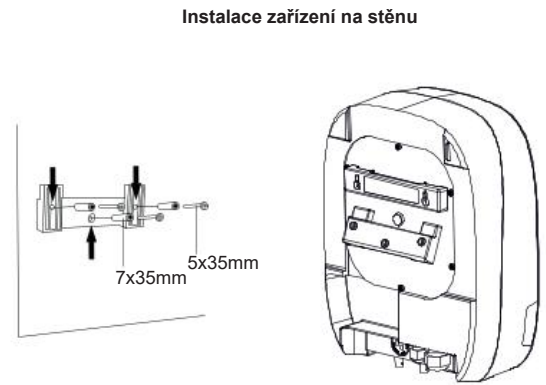
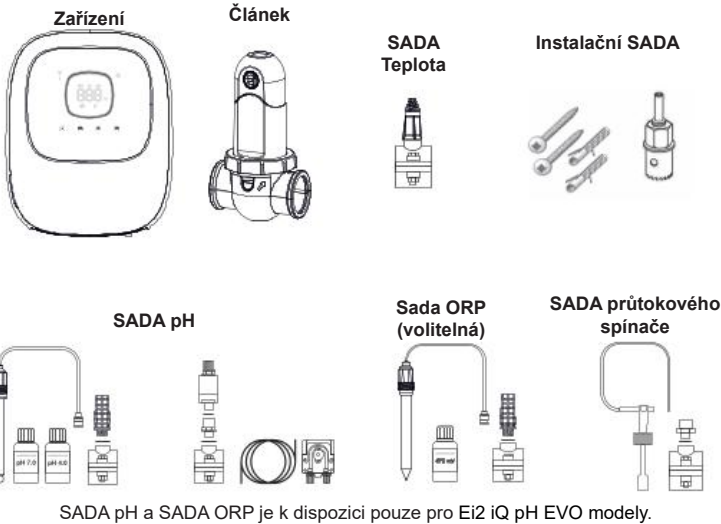
- Chlorový stabilizátor 25-30 mg/l (ppm). V bazénech se silným slunečním zářením nebo intenzivním používáním se doporučuje udržovat úroveň stabilizátoru na 25-30 mg/L (kyseliny izokyanurové).



Další informace naleznete v podrobném návodu:

- Instalace a kalibrace snímačů pH, ORP, ppm, g/l a teploty.
- Údržba elektrolytického článku a peristaltických čerpadel.

Komponenty a instalace



POZOR: Instalaci provádějte vždy ve svislé poloze na pevném povrchu a na suchém a větraném místě. Zařízení se doporučuje instalovat na místech, která nejsou vystavena povětrnostním vlivům. Zabraňte vzniku korozivního prostředí.



Další informace o instalaci a zapojení naleznete v úplném návodu k obsluze.

Připojení elektrolytického článku

- Článek musí být instalován ve vodorovném potrubí, aby jím mohla protékat voda, přičemž úhel nebo sklon nesmí přesáhnout 30° (A)
- Respektujte směr proudění vody. (B)
- Demontujte článek. (C)
- Umístěte trubkový adaptér EU (DN50 mm) obráceně na požadované místo potrubí (D). Pomocí vrtáku nebo razníku označte místo otvorů, které je třeba vyvrtat do trubky, vyjměte adaptér a vyvrtejte otvory pomocí dodaného vrtáku.
- Zahákněte horní a dolní část objímky článku do trubky ve výšce otvorů, přičemž respektujte směr proudění vody. (C)
- Umístěte vysokou průhlednou část článku (přítomnost ukazatele polohy), nasadte upínací kroužek na závit horní objímky tak, aby byl bod (E) objímky zarovnan se šipkou na objímce (F), a poté jej dobře utáhněte rukou (**bez použití nástrojů**).
- Připojte napájecí kabel článku s ohledem na barevné kódy vodičů (G) (červený, černý a modrý konektor/y) a poté nasadte ochrannou krytku.

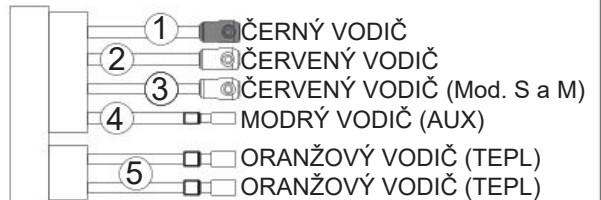
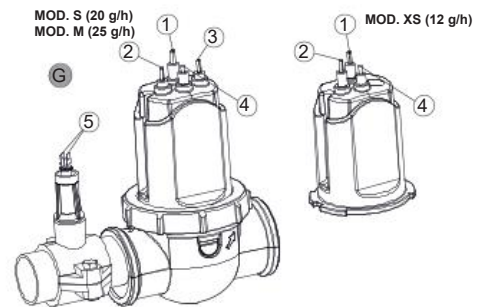
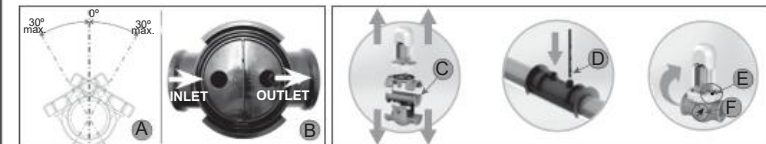
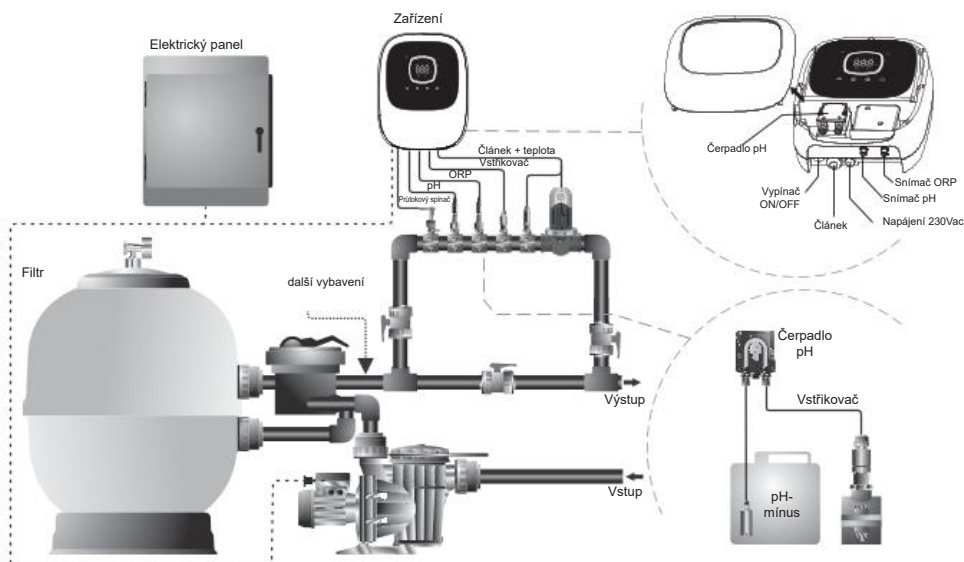
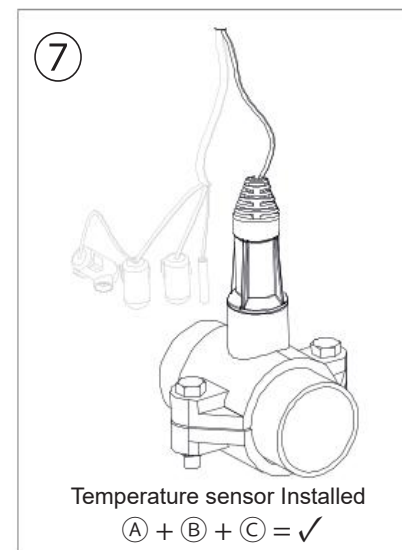
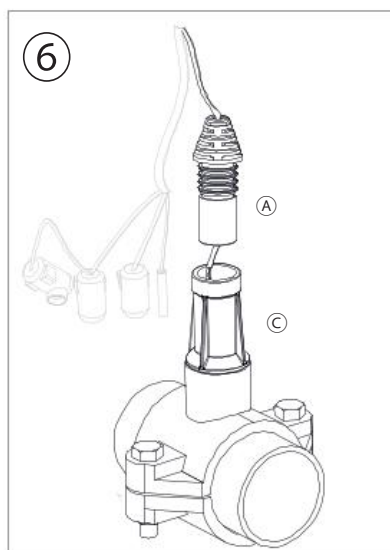
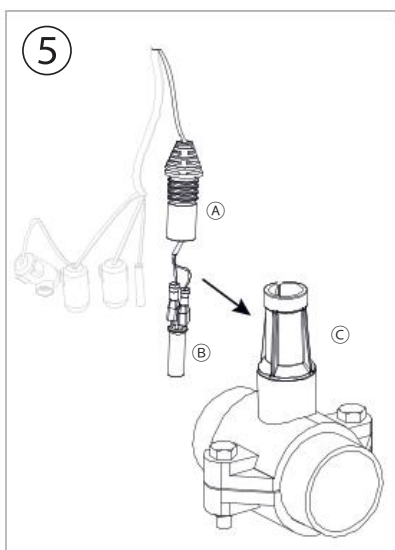
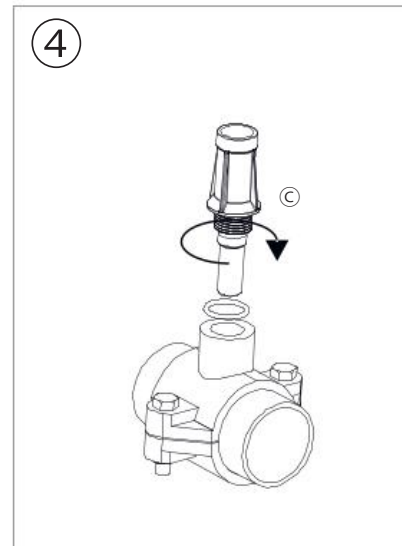
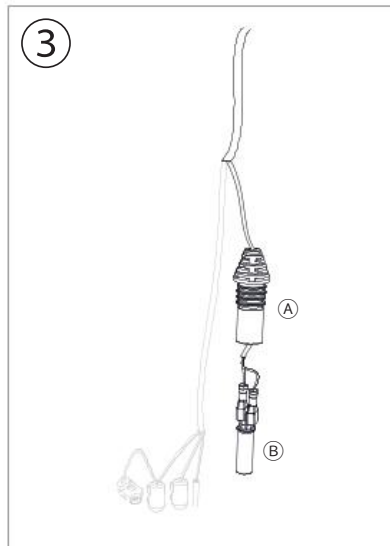
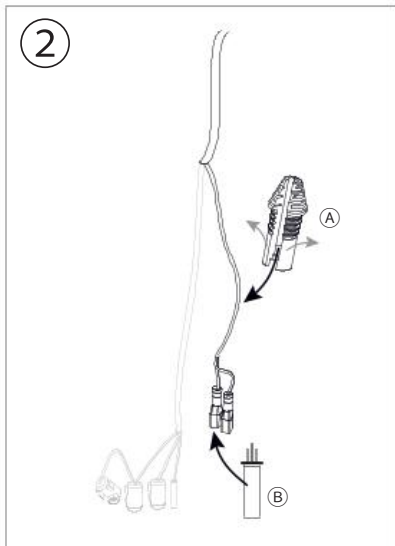
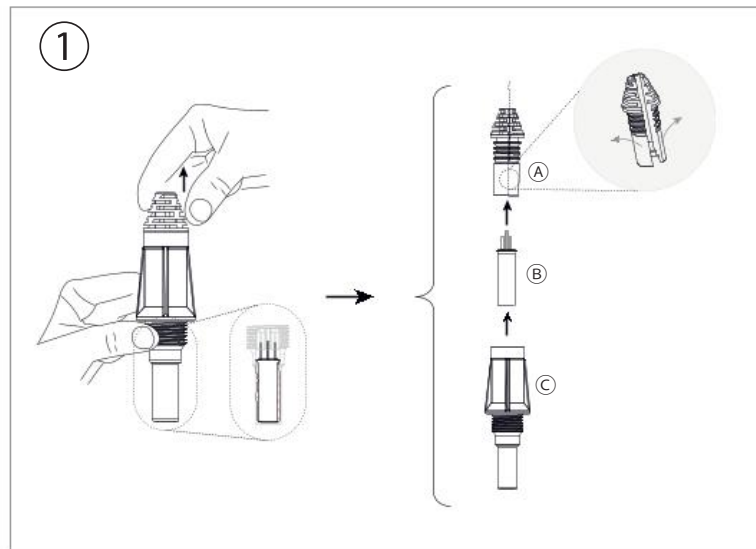
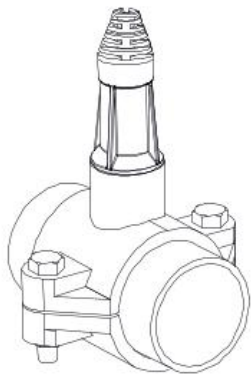


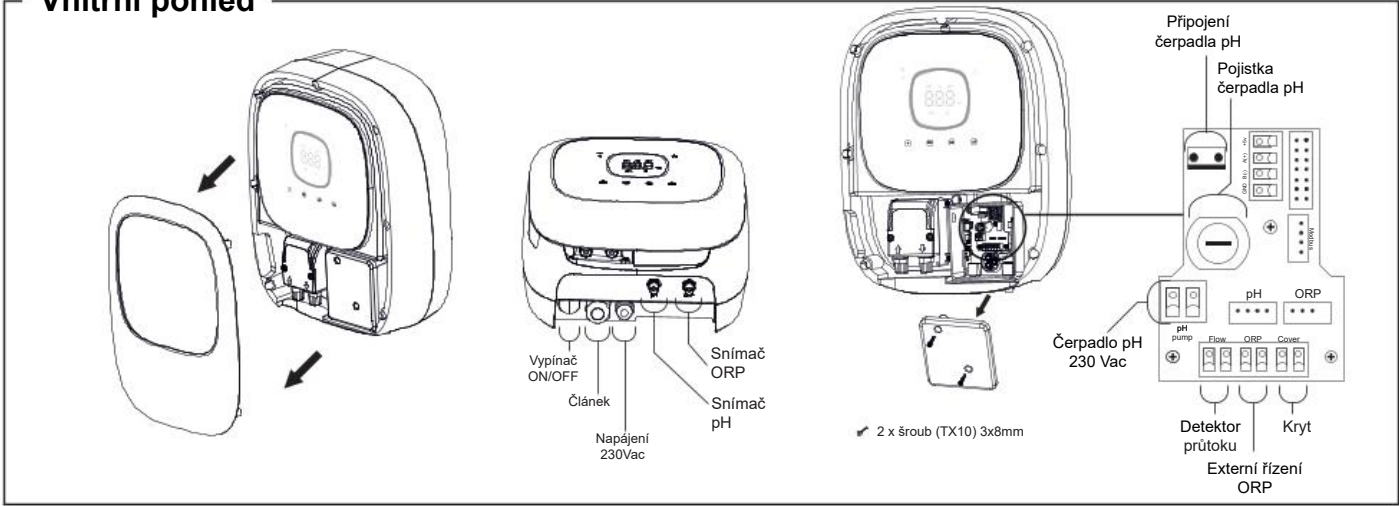
Schéma instalace



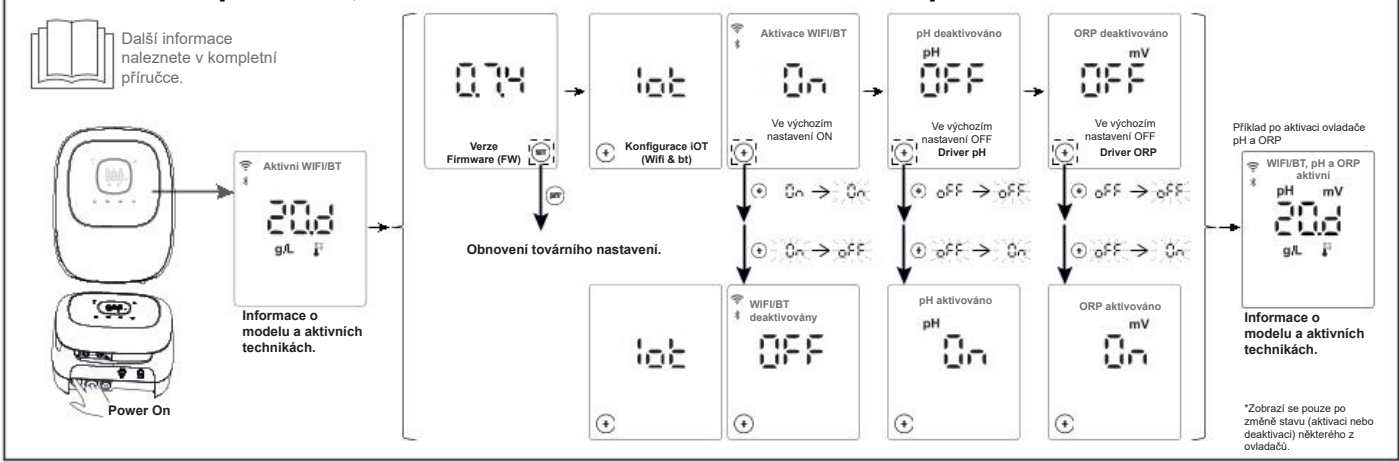
Poznámka: Toto schéma představuje instalaci Ei2 iQ pH EVO modelu s nainstalovanými všemi možnostmi. Toto schéma se může lišit v závislosti na zakoupeném modelu.



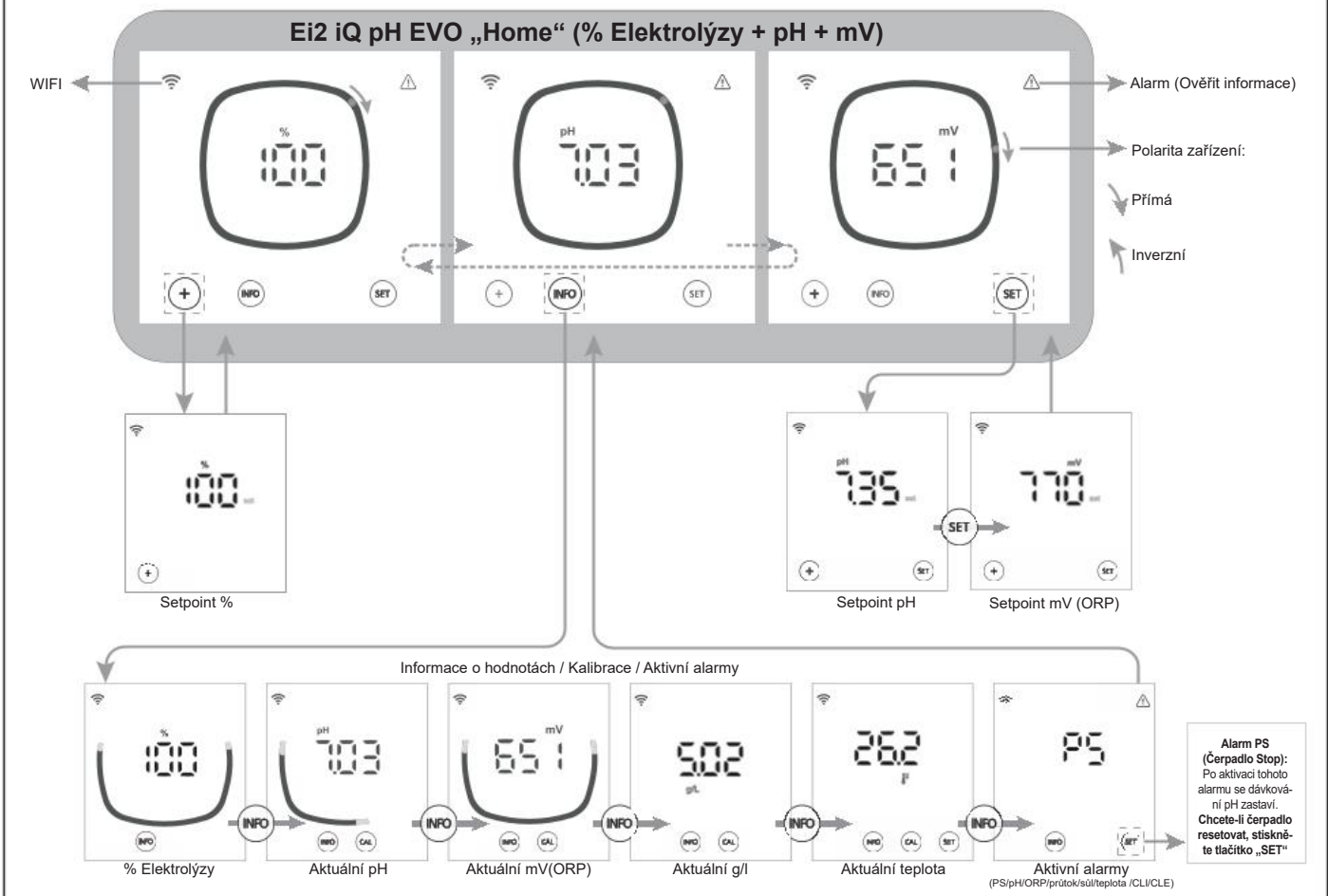
Vnitřní pohled



Sekvence spouštění, aktivace/deaktivace WIFI a ovladačů pH/ORP



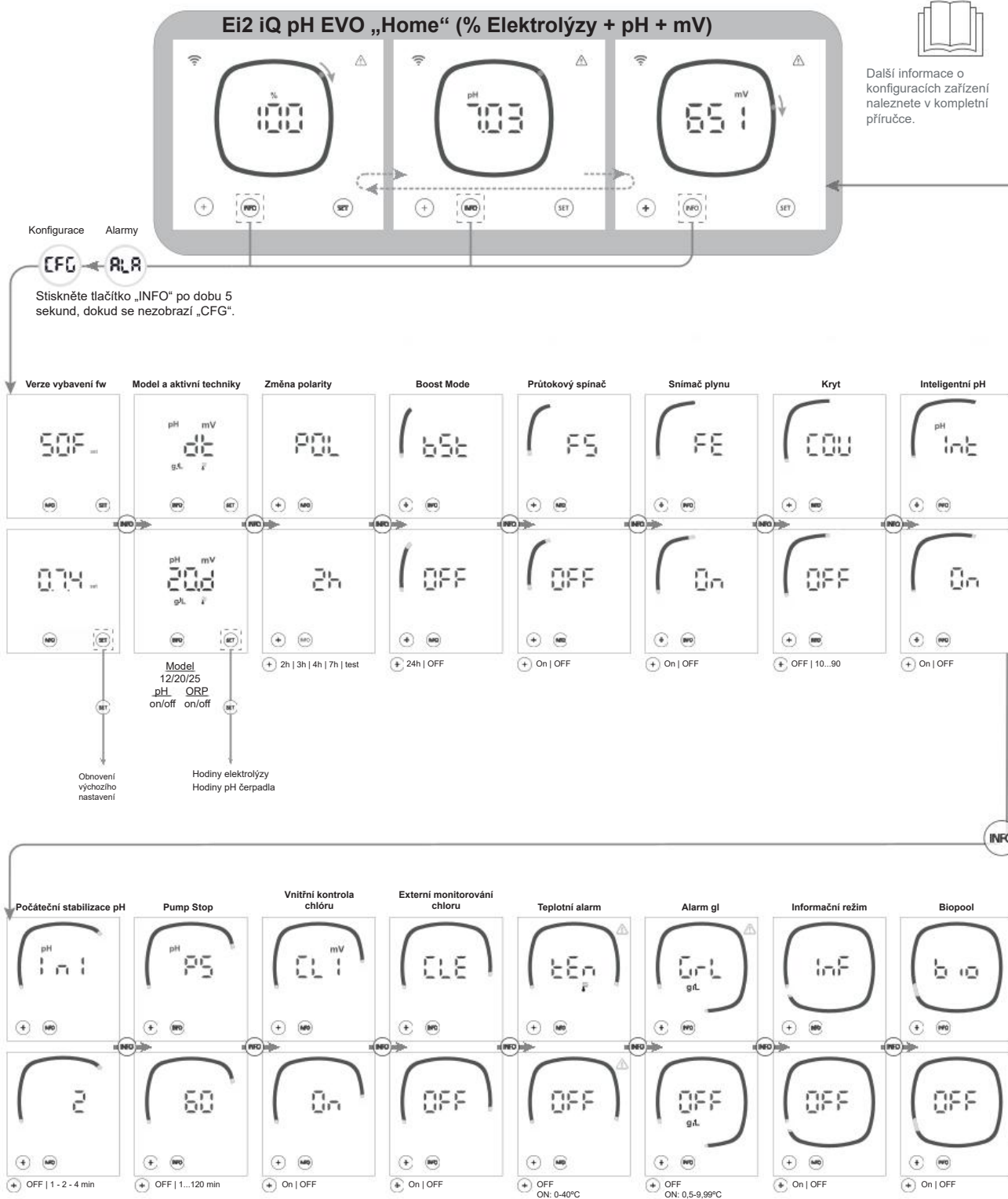
Uživatelské rozhraní



Nabídka konfigurace

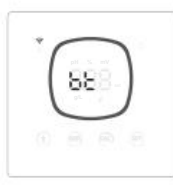
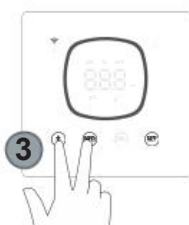


Další informace o konfiguraci zařízení naleznete v kompletní příručce.



Poznámka: Výchozí nastavení zobrazovaná na obrazovkách

Připojení k Fluidra Pool











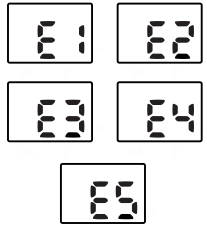
1) Stáhněte a nainstalujte aplikaci FLUIDRA POOL.

2) Vytvořte uživatelský účet a nakonfigurujte parametry bazény.

3) Aktivujte v zařízení režim párování („+“ a „INFO“ současně po dobu 5 s).

4) V aplikaci FLUIDRA POOL klikněte na přidat zařízení a postupujte podle pokynů.

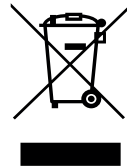
Řešení častých problémů

Zpráva	Řešení										
Alarm průtoku - Snímač plynu (FE) - Snímač průtoku (FS) 	Alarm průtoku se objeví v důsledku toho, že článek není zcela zaplaven (snímač plynu elektrody), nebo v důsledku toho, že voda neproudí (snímač průtokového spínače). <ul style="list-style-type: none"> Zkontrolujte čerpadlo, filtr a ventil backwashingu. V případě potřeby je vyčistěte. 										
Alarm STOP CL 	Alarm STOP Cl se může objevit z jednoho ze 3 následujících důvodů: CLE= Zastaveno externím ovladačem <ul style="list-style-type: none"> Zkontrolujte externí ovladač (ORP/ppm) a zkontrolujte údaje. Pokud nemáte externí ovladač, vypněte funkci CLE (CLE=off), jinak se výroba nespustí. CLl= Zastaveno hodnotou ClmV nebo Clppm v zařízení. <ul style="list-style-type: none"> Zkontrolujte hladinu chloru v bazénu pomocí fotometru nebo testovacího proužku. V případě potřeby vyčistěte a zkalibrujte snímač ORP/ppm 										
ORP(mV) - Alarm vysokého 	Pokud je naměřená hodnota mimo nastavené bezpečné hodnoty, zobrazí se alarm nízká a vysoká. Bezpečnostní hodnoty ClmV vysoké nejsou modifikovatelné: <table border="1" data-bbox="790 638 1157 750"> <thead> <tr> <th>Mode</th> <th>Alarm vysokého ORP</th> </tr> </thead> <tbody> <tr> <td>Standard</td> <td>ClmV > 855</td> </tr> <tr> <td>Biopool</td> <td>ClmV > 855</td> </tr> </tbody> </table> <ul style="list-style-type: none"> Zkontrolujte hladinu chloru v bazénu pomocí fotometru nebo testovacího proužku. V případě potřeby vyčistěte a zkalibrujte snímač ORP. Pokud máte nízkou hodnotu volného chloru a vysokou hodnotu celkového chloru, proveďte šokové chlorování (chlornanem sodným), abyste snížili obsah chloraminů. Pokud je hodnota ppm chloru vysoká a hodnota mV nízká, zkontrolujte koncentraci kyseliny kyanurové. V případě hodnot nad 60 ppm bazén částečně vyprázdněte. Zvyšte denní filtraci. Pokud je během kalibrace odchylka vysoká (± 60 mV v roztoku 470 mV), přístroj ohlásí chybu měření, která může být způsobena zhoršením stavu snímače nebo kalibračního roztoku. 	Mode	Alarm vysokého ORP	Standard	ClmV > 855	Biopool	ClmV > 855				
Mode	Alarm vysokého ORP										
Standard	ClmV > 855										
Biopool	ClmV > 855										
Alarm nízkého/vysokého pH 	Pokud je naměřená hodnota mimo nastavené bezpečné hodnoty, zobrazí se alarm nízká a vysoká. Tyto hodnoty zabezpečení nelze upravovat (Pokud se objeví alarm vysokého pH, čerpadlo pH se z bezpečnostních důvodů vypne): <table border="1" data-bbox="678 1008 1268 1108"> <thead> <tr> <th>Mode</th> <th>Alarm nízkého pH</th> <th>Alarm vysokého pH</th> </tr> </thead> <tbody> <tr> <td>Standard</td> <td>pH < 6,5</td> <td>pH > 8,5</td> </tr> <tr> <td>Biopool</td> <td>pH < 6,0</td> <td>pH > 9,0</td> </tr> </tbody> </table> <ul style="list-style-type: none"> Zkontrolujte hladinu pH v bazénu pomocí fotometru nebo testovacího proužku. V případě potřeby snímač pH vyčistěte a zkalibrujte. Další informace o údržbě snímače naleznete v kapitolách 6.1 - 6.2 a 8 příručky. Aby čerpadlo mohlo pokračovat v dávkování, je třeba ručně snížit pH bazénu na 8,45 (standardní režim) nebo 8,95 (režim biopool). Pokud je během kalibrace odchylka vysoká (± 1 jednotka pH), přístroj ohlásí chybu měření, která může být způsobena zhoršením stavu snímače nebo kalibračního roztoku. 	Mode	Alarm nízkého pH	Alarm vysokého pH	Standard	pH < 6,5	pH > 8,5	Biopool	pH < 6,0	pH > 9,0	
Mode	Alarm nízkého pH	Alarm vysokého pH									
Standard	pH < 6,5	pH > 8,5									
Biopool	pH < 6,0	pH > 9,0									
Alarm PUMP-STOP 	Když je aktivována FUNKCE PUMP-STOP (výchozí hodnota 60 min), systém zastaví dávkovací čerpadlo po uplynutí naprogramované doby, aniž by bylo dosaženo nastavené hodnoty pH. <ul style="list-style-type: none"> Zkontrolujte hodnotu pH v bazénu pomocí fotometru nebo testovacího proužku. V případě potřeby snímač pH vyčistěte a zkalibrujte Zkontrolujte a upravte alkalitu vody (poradte se s odborníkem na bazény). Zkontrolujte hladinu kyseliny v kádince. 										
Alarm článku 	Alarm článku se zobrazí, když zařízení zjistí, že životnost elektrody je na konci (pasivovaná). Předpokládaná životnost elektrod = 8.000 - 10.000 h <ul style="list-style-type: none"> V případě potřeby elektrodu vyměňte 										
Alarm snímače TEPLOTY nízké/vysoké 	<ul style="list-style-type: none"> Teplotní alarm se zobrazí, pokud jsou hodnoty teploty mimo hodnoty nastavené uživatelem. (Teplotní alarm je ve výchozím nastavení deaktivován) Pokud je teplota vody velmi nízká, zařízení nedosáhne 100% výkonu z důvodu nízké vodivosti. 										
Alarm g/L Nízké/Vysoké 	<ul style="list-style-type: none"> Stejně jako teplotní alarm se tento alarm zobrazí, když hodnoty g/l soli překročí hodnoty nastavené uživatelem. (Ve výchozím nastavení je alarm g/L vypnut) Pokud je hodnota g/l příliš nízká nebo příliš vysoká, ovlivní to výstup zařízení v důsledku vodivosti vody. 										
Alarmy E1....E5 	<table border="1"> <tr> <td>E1</td> <td>Pokud doba kalibrace bez zásahu uživatele přesáhne 5 min</td> </tr> <tr> <td>E2</td> <td> Pokud je odchylka mezi odečty během kalibrace vyšší než povolený rozsah (např. vadný snímač) <ul style="list-style-type: none"> Teplota: Odchylka $\pm 20^{\circ}\text{C}$ pH: Odchylka ± 1 jednotka pH ORP: Odchylka ± 60 mV v roztoku 470 mV </td> </tr> <tr> <td>E3</td> <td>-</td> </tr> <tr> <td>E4</td> <td>Nemožnost kalibrace T, rychlého pH a salinity (g/L) při vypnuté filtraci</td> </tr> <tr> <td>E5</td> <td> Aktivuje se, když kalibraci nelze provést, pokud: <ul style="list-style-type: none"> Teplota: Žádné NTC. Salinita g/L: Produkce je nižší než 30 %. pH/ORP: Bez ovladače nebo probíhá inicializace systému. </td> </tr> </table>	E1	Pokud doba kalibrace bez zásahu uživatele přesáhne 5 min	E2	Pokud je odchylka mezi odečty během kalibrace vyšší než povolený rozsah (např. vadný snímač) <ul style="list-style-type: none"> Teplota: Odchylka $\pm 20^{\circ}\text{C}$ pH: Odchylka ± 1 jednotka pH ORP: Odchylka ± 60 mV v roztoku 470 mV 	E3	-	E4	Nemožnost kalibrace T, rychlého pH a salinity (g/L) při vypnuté filtraci	E5	Aktivuje se, když kalibraci nelze provést, pokud: <ul style="list-style-type: none"> Teplota: Žádné NTC. Salinita g/L: Produkce je nižší než 30 %. pH/ORP: Bez ovladače nebo probíhá inicializace systému.
E1	Pokud doba kalibrace bez zásahu uživatele přesáhne 5 min										
E2	Pokud je odchylka mezi odečty během kalibrace vyšší než povolený rozsah (např. vadný snímač) <ul style="list-style-type: none"> Teplota: Odchylka $\pm 20^{\circ}\text{C}$ pH: Odchylka ± 1 jednotka pH ORP: Odchylka ± 60 mV v roztoku 470 mV 										
E3	-										
E4	Nemožnost kalibrace T, rychlého pH a salinity (g/L) při vypnuté filtraci										
E5	Aktivuje se, když kalibraci nelze provést, pokud: <ul style="list-style-type: none"> Teplota: Žádné NTC. Salinita g/L: Produkce je nižší než 30 %. pH/ORP: Bez ovladače nebo probíhá inicializace systému. 										

**OBS!**

Den korta manualen som medföljer denna produkt innehåller endast grundläggande information om säkerhetsåtgärder som måste vidtas vid installation, underhåll och idrifttagning.

Fullständig manual kan läsas och laddas ner som en PDF-fil på följande webbplats: <https://www.zodiac.com>. Alla monterings-, elinstallations- och underhållsuppgifter måste utföras av kvalificerad och auktoriserad personal som noggrant har läst alla installations- och serviceinstruktioner.



Allmänna egenskaper:

- När ditt saltelektrolyssystem är installerat är det nödvändigt att lösa upp en mängd salt i vattnet. Saltelektrolyssystemet består av två element: en elektrolyscell och en styrenhet. Elektrolyscellen innehåller ett visst antal titanplattor (elektroder), så att när en elektrisk ström cirkulerar genom dem och saltlösningen passerar genom dem, bildas fritt klor.
- Att upprätthålla en viss nivå av klor i poolvattnet garanterar dess sanitära kvalitet. Saltelektrolyssystemet kommer att producera klor när poolens filtreringssystem (pump och filter) är i drift.
- Styrenheten har flera säkerhetsanordningar, som aktiveras vid onormal systemdrift, samt en mikrokontrollstyrenhet.
- Saltelektrolyssystemen har ett automatiskt rengöringssystem för elektroderna som förhindrar att det bildas avlagringar på dessa.

! Säkerhetsvarningar och rekommendationer:

- Montering eller hantering måste utföras av korrekt kvalificerad personal.
- Nuvarande föreskrifter för förebyggande av olyckor, samt för elinstallationer, måste respekteras.
- Vid installationen måste man komma ihåg att för elektrisk fränkoppling av utrustningen måste en strömbrytare eller automatisk strömbrytare som överensstämmer med IEC 60947-1 och IEC 60947-3 standarder monteras, och som säkerställer flerpölig skärning, direktansluten, dem måste också ha en kontaktseparation på alla sina poler, vilket ger total fränkoppling under överspänningsförhållanden i kategori III, i ett område som uppfyller säkerhetskraven på platsen. Strömbrytaren måste placeras i omedelbar närhet av utrustningen och måste vara lättillgänglig. Dessutom måste denna märkas som fränkopplingselement för utrustningen.
- Utrustningen måste strömförsörjas från en jordfelsbrytare som inte överstiger 30mA (RDC). Utrustningen måste vara elektriskt jordad.
- Installationen måste uppfylla standard IEC / HD 60364-7-702 samt övriga nationella standarder som gäller för pooler.
- Tillverkaren ansvarar inte i något fall för montering, installation eller idrifttagning, inte heller för eventuell manipulation eller inbyggnad av komponenter som inte har utförts i dess anläggningar.
- Den här apparaten är inte avsedd att användas av personer (inklusive barn) vars fysiska, sensoriska eller mentala förmåga är nedsatt, eller med bristande erfarenhet och kunskap, såtillvida de inte har fått tillsyn eller instruktioner gällande apparatens användning av en person som är ansvarig för deras säkerhet. Barn bör övervakas så att de inte leker med apparaten.
- Om strömkabeln är skadad måste den bytas ut av tillverkaren, dess kundservice eller liknande kvalificerad personal för att undvika möjlig fara.
- Försök inte modifiera styrenheten att fungera med en annan spänning.
- Se till att göra fasta elektriska anslutningar för att undvika falska kontakter, med överhettning av detsamma som följd.
- Innan du fortsätter med installationen eller byter någon komponent i systemet, se till att den föregående har kopplats bort från strömförsörjningen och att det inte finns något vattenflöde. Använd endast originalreservdelar.
- Eftersom utrustningen genererar värme är det viktigt att installera den på en plats som är tillräckligt ventilerad. Var noga med att inte installera den nära brandfarliga material.
- Även om utrustningen har en viss grad av IP-skydd, får den inte i något fall installeras i områden som kan utsättas för översvämning.
- Denna utrustning är avsedd att vara permanent ansluten till vattenförsörjningen och kommer inte att anslutas med en tillfällig slang.
- Denna enhet har ett stöd för fastsättning, se monteringsanvisningen.

Start

1. Kontrollera att filtret är 100 % rent och att vattnet i poolen och installationen inte innehåller koppar, järn eller alger, samt att eventuell uppvärmningsutrustning som installeras är kompatibel med närvaron av salt i vattnet.
2. Balansera poolvattnet. Detta gör att vi kan uppnå effektivare rening med en lägre koncentration av fritt klor i vattnet, samt längre funktion av elektroderna kombinerat med mindre mängd kalkavlagringar i poolen.
3. Systemet har ett driftintervall på 3,5-10 g/L, och ansträngning bör göras för att bibehålla den rekommenderade optimala salthalten på 4 g/L.
4. Innan du startar arbetscykeln, koppla bort styrenheten och kör filtreringspumpen i 24 timmar för att säkerställa fullständig upplösning av saltet.
5. Starta sedan saltelektrolyssystemet så att nivån av fritt klor hålls inom rekommenderade nivåerna (0,5–2 ppm).
6. Kompatibel med MagnaPool, se kapitel 2.8 i manualen.

Poolens vattenbalans

Upprätthåll följande vattenparametrar:

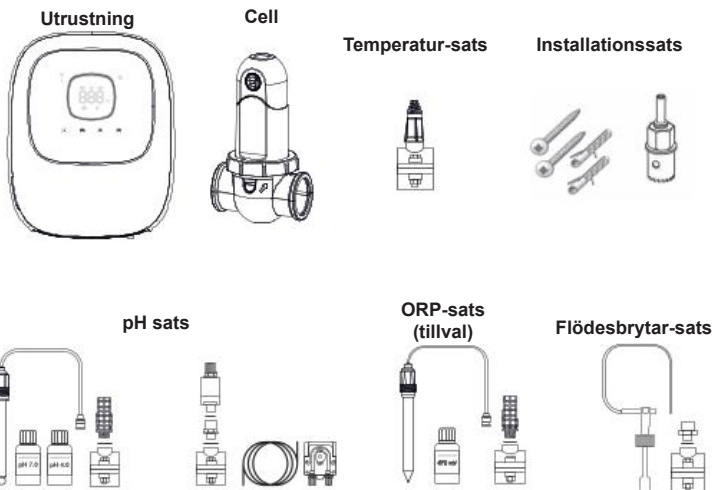
- alkalinitet mellan 80 och 150 mg/L (ppm)
- pH mellan 7,2 och 7,6
- fritt klor mellan 0.5 och 2 mg/L (ppm)
- klorstabilisator 25–30 mg/L (ppm). I pooler med starkt solljus eller intensiv användning är det tillrådligt att hålla en nivå på 25–30 mg/L av stabilisator (isocyanursyra).



Rädgör i den fullständiga manualen för mer information om:

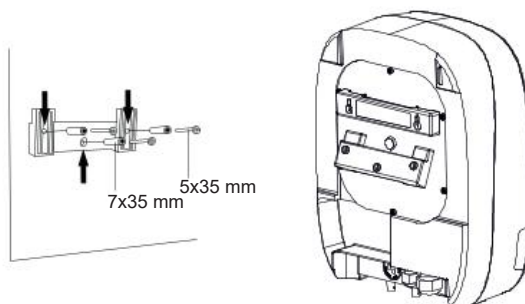
- installation och kalibrering av pH-, ORP-, ppm-, g/L- och temperatursensorer.
- underhåll av elektrolyscellen och peristaltiska pumpar.

Komponenter och installation



pH-sats och ORP-sats finns endast tillgängliga för Ei2 iQ pH EVO modeller.

Installation av väggmonterad utrustning



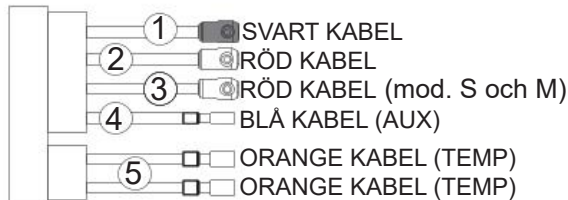
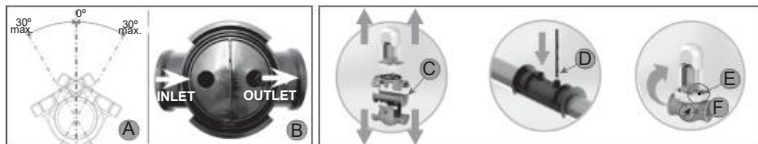
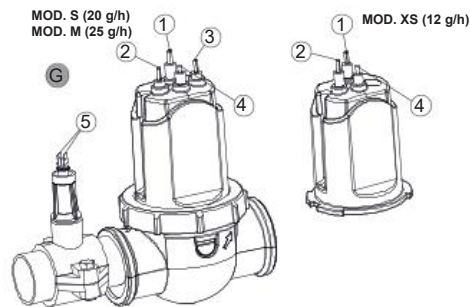
OBSERVERA: Installera alltid vertikalt på en stabil yta och en torr och ventilerad plats. Man rekommenderas att installera utrustningen på platser som inte utsätts för väder och vind. Undvik att det bildas korrosiva miljöer.



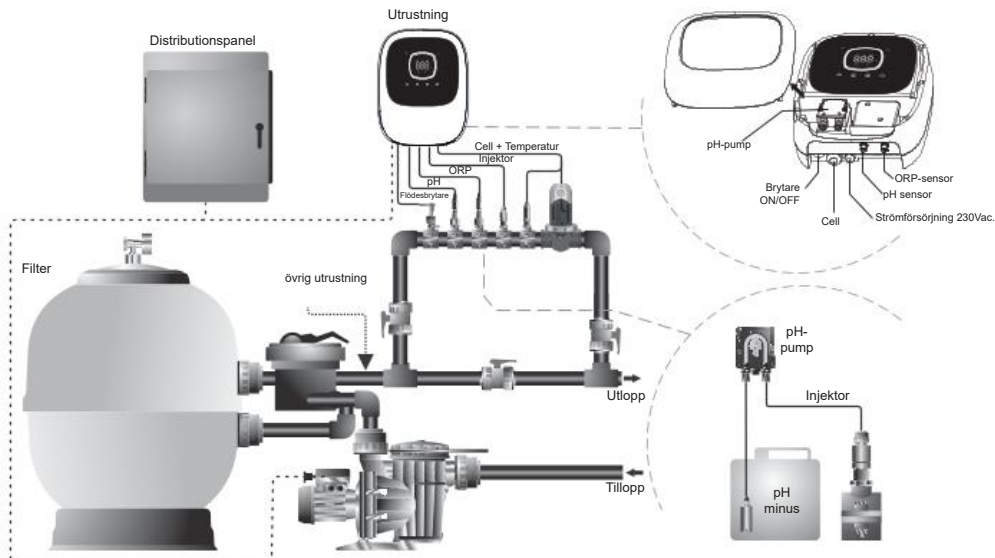
Se den fullständiga manualen för mer information om installation och kablage.

Anslutning av elektrolyscell

1. Cellen måste installeras i ett horisontellt rör för att säkerställa att vattenflödet passerar genom röret, med en vinkel eller lutning som inte får överstiga 30° (A)
2. Respektera vattenflödets riktning. (B)
3. Montera ner cellen. (C)
4. Placera adaptern till EU-reduceringsrör (DN50 mm) upp och ner på önskad plats på röret (D) Använd en borrh eller stans och markera platsen för borrhålen på röret, ta bort adaptern och borra upp hålen med medföljande borrhkrana.
5. Haka fast de nedre och övre delarna av cellkragen på röret i höjd med hålen, med respekt för vattnets riktning (C).
6. Placera den genomskinliga övre delen av cellen (finns en positionsindikator), placera klämringen på den övre kragens gängning och justera in spetsen (E) på kragen med pilen på kragen (F) och dra sedan åt den ordentligt för hand (utan att använda verktyg).
7. Anslut cellens strömkabeln enligt kabelns färgkoder (G) (röd(a), svart(a) och blå(a) kontaktdon och sätt sedan på skyddslocket.

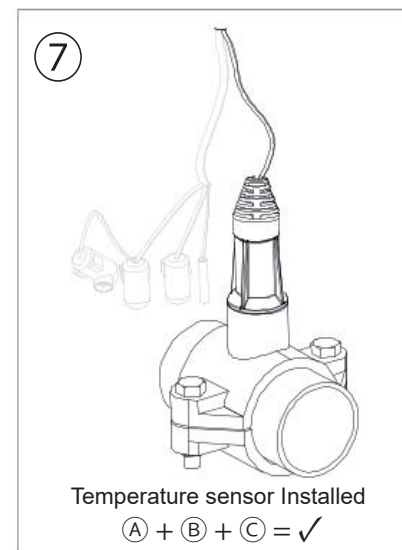
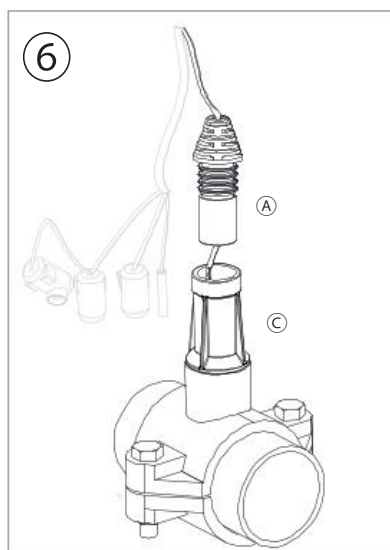
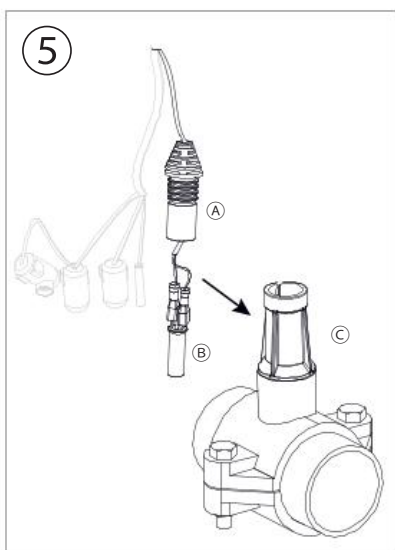
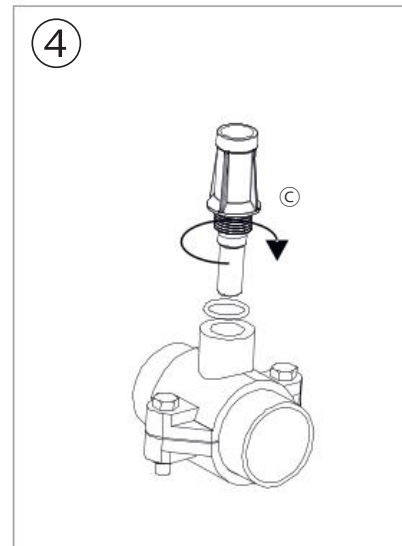
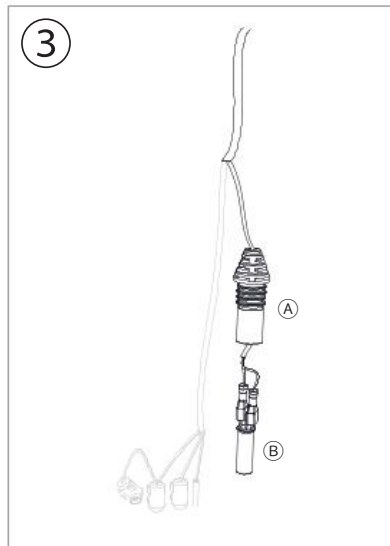
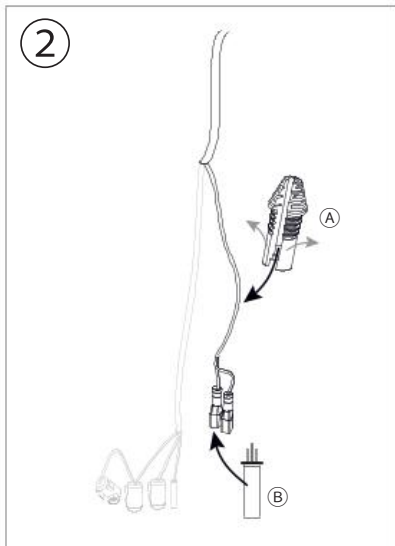
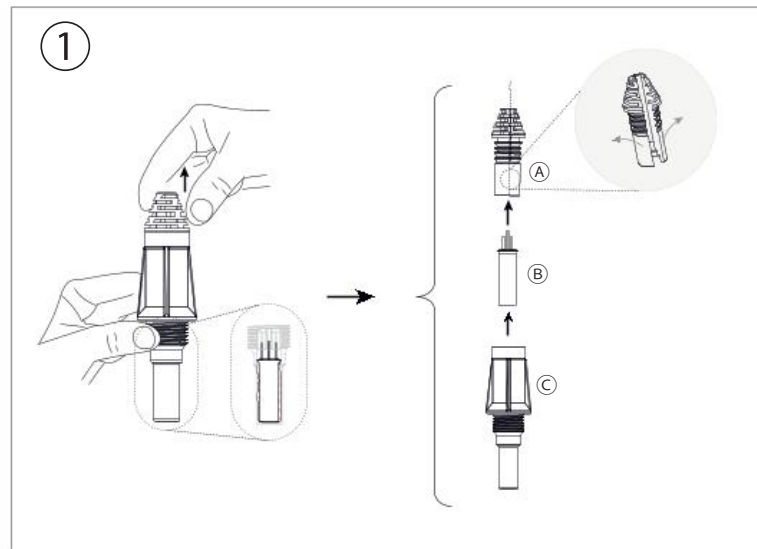
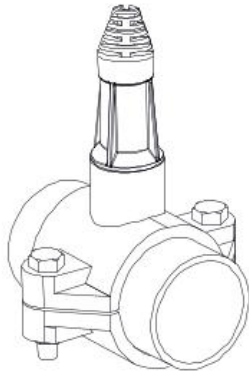


Installationsschema

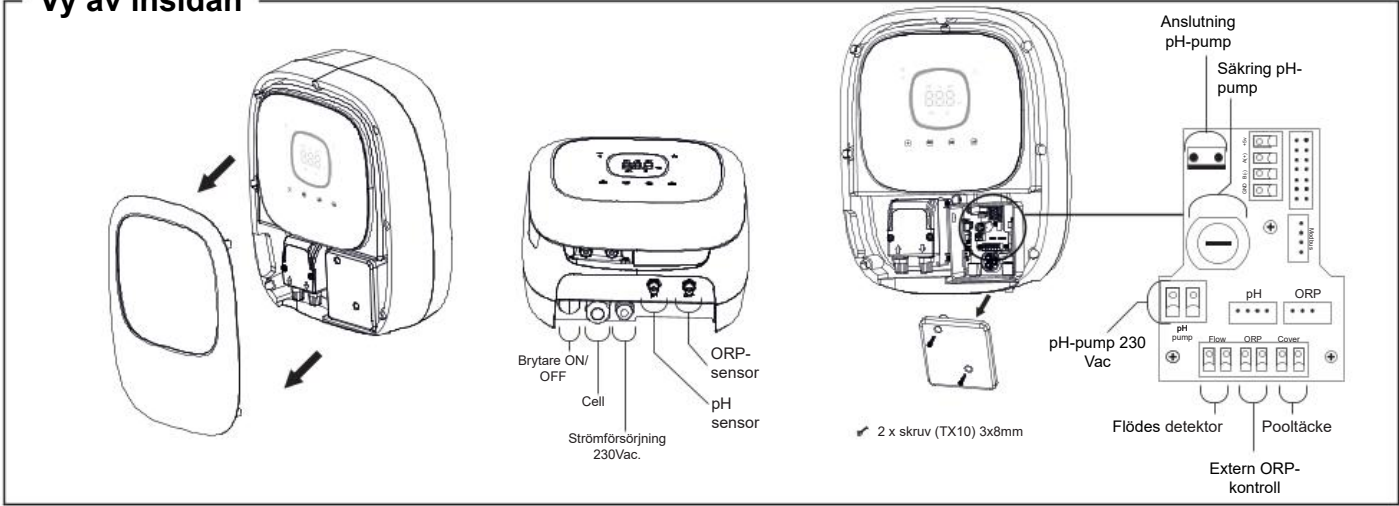


Obs: Diagrammet representerar en installation av en Ei2 iQ pH EVO modell, med alla tillval installerade. Detta diagram kan variera beroende på inköpt modell.

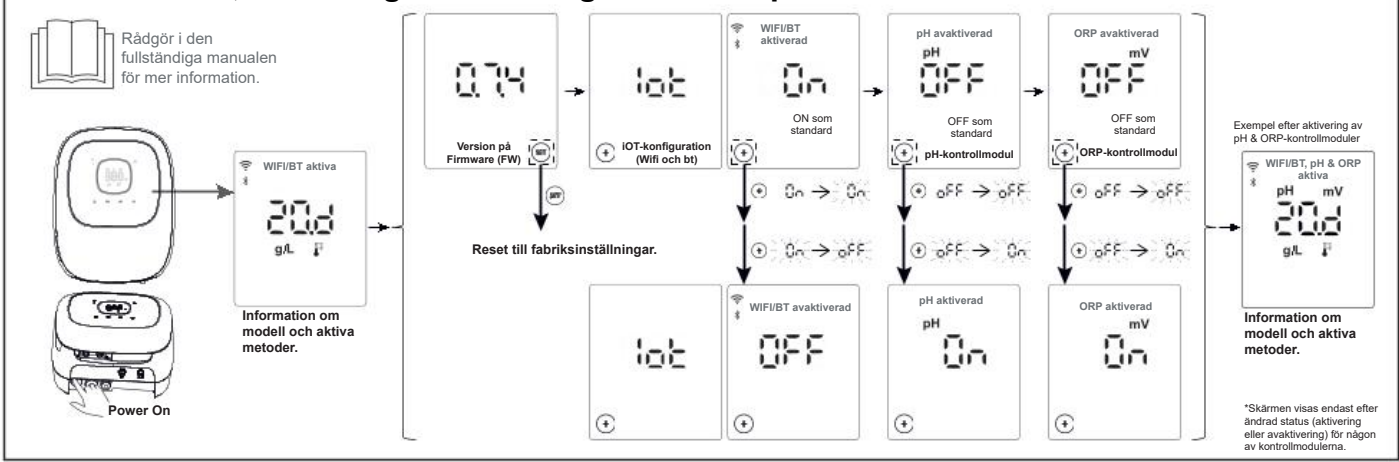
Temperatur-sats: Komponenter och installation



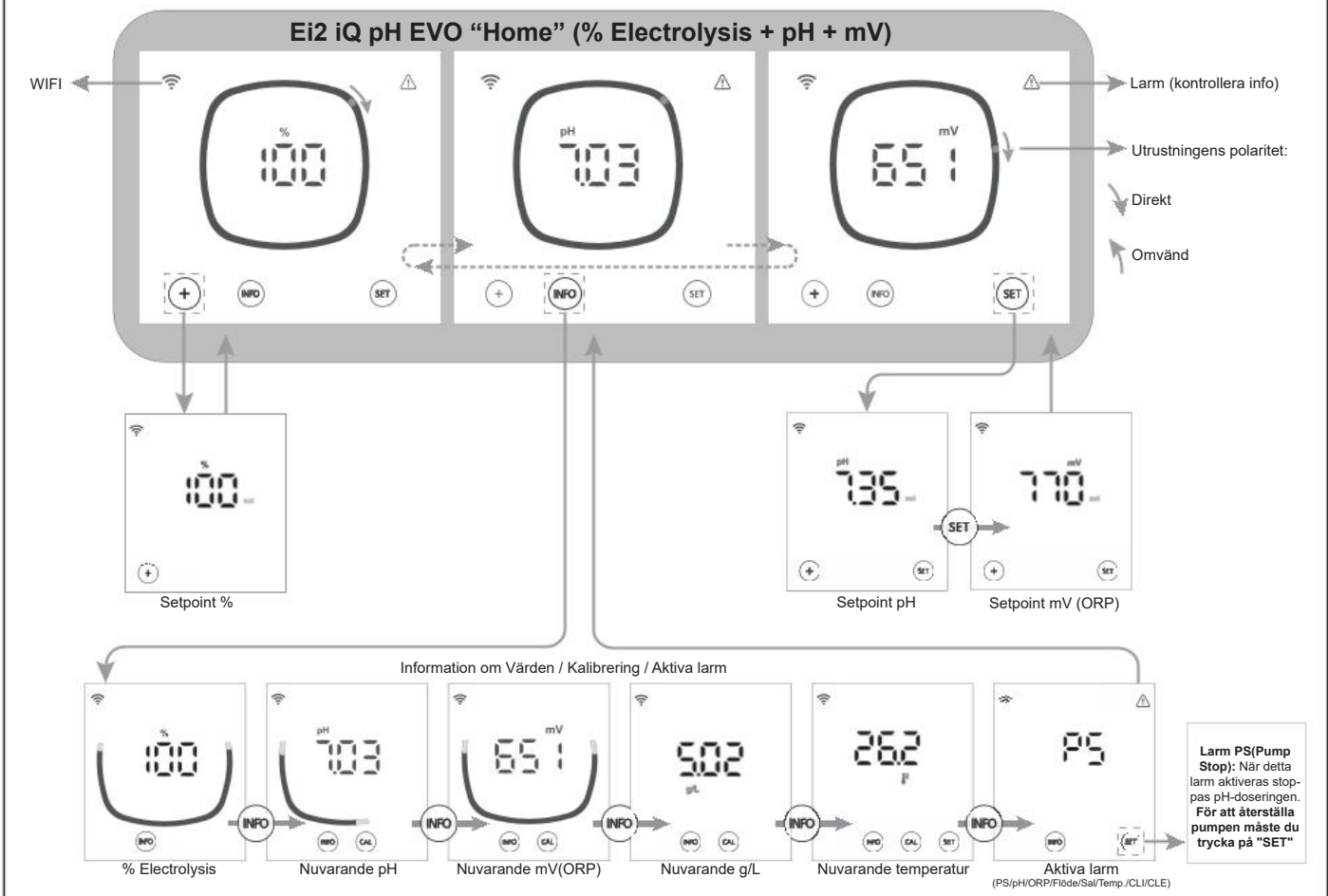
Vy av insidan



Startsekvens, aktivering/avaktivering av WIFI- & pH/ORP-kontrollmoduler



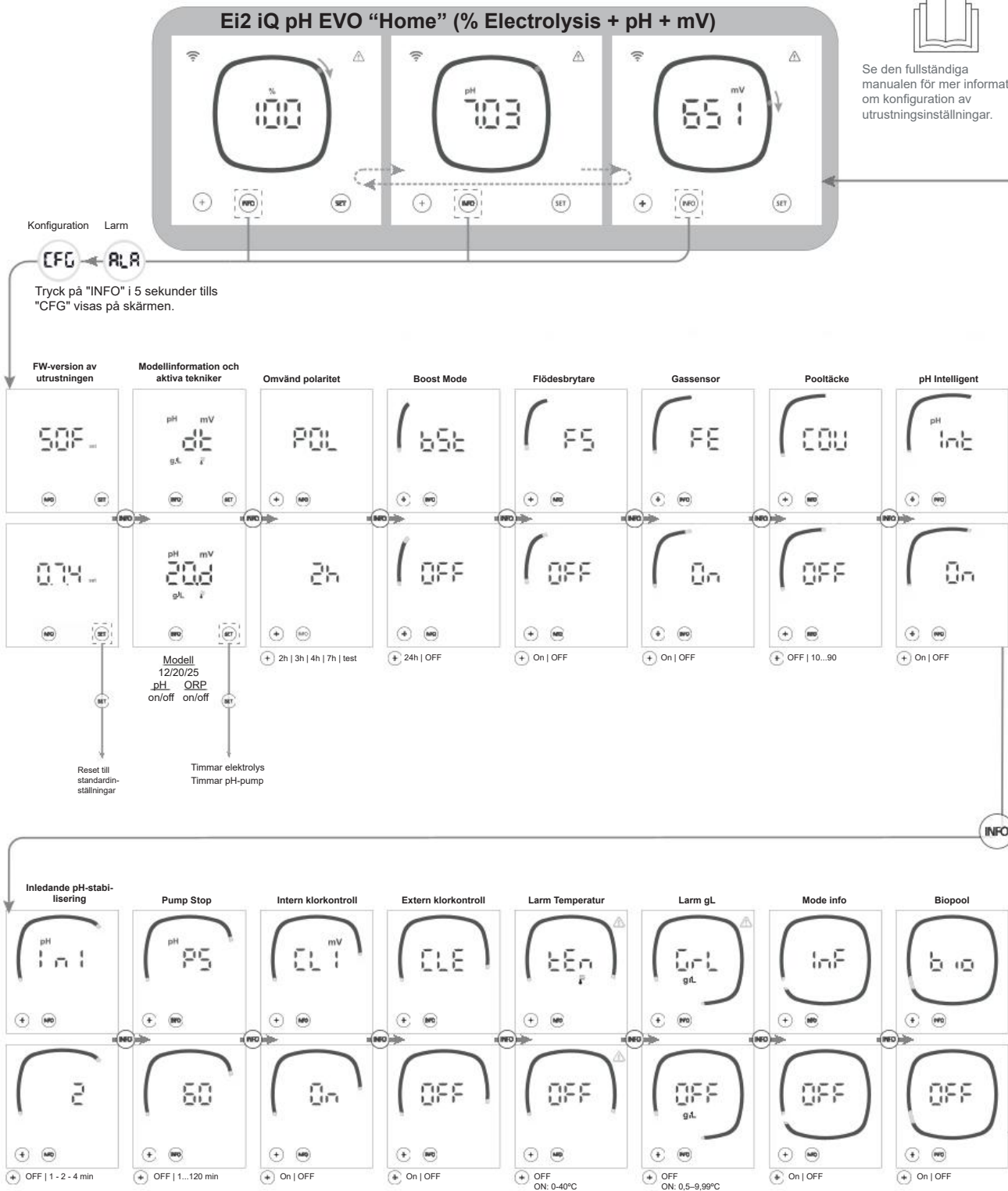
Användargränssnitt



Konfigurationsmeny

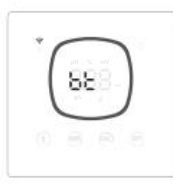
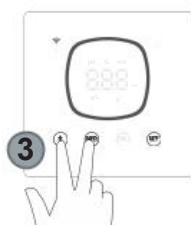


Se den fullständiga manualen för mer information om konfiguration av utrustningsinställningar.




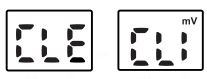
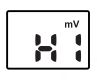
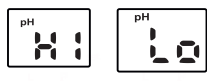

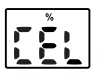
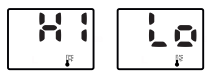
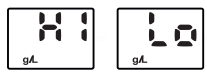
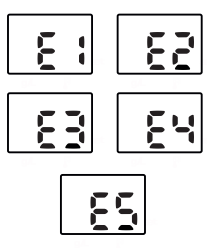
Obs: Standardinställningar visas på skärmarna

Anslutning till Fluidra Pool



- 1) Ladda ner och installera FLUIDRA POOL-appen.
- 2) Skapa ett användarkonto och konfigurera poolens parametrar.
- 3) Aktivera pairing-läget på enheten (tryck samtidigt på "+" & "INFO" i 5 s.).
- 4) I FLUIDRA POOL-appen, klickar du på lägg till utrustning och sedan följ instruktionerna.

Felsökning av vanliga problem

Meddelande	Lösning										
<p>Flödeslarm - Gassensor (FE) - Flödes sensor (FS)</p> 	<p>Flödeslarmet visas om cellen inte är helt översvämmad (sensor elektrodgas), eller om det inte finns något vattenflöde (flödesbrytare).</p> <ul style="list-style-type: none"> Kontrollera pump, filter och backwashing-ventil. Rengör om nödvändigt. 										
<p>STOP CL-larm</p> 	<p>STOP CL-larmet kan visas av en av tre anledningar:</p> <p>CLE = Stoppad av extern styrenhet</p> <ul style="list-style-type: none"> Kontrollera den externa regulatoren (ORP/ppm) och kontrollera avläsningen. Om du inte har någon extern regulator, inaktivera funktionen CLE (CLE= off), annars startar inte produktionen. <p>CLi = Stoppad av värdet på ClmV eller Clppm i enheten.</p> <ul style="list-style-type: none"> Kontrollera klornivån i poolen med en fotometer eller teststicka. Rengör och kalibrera ORP/ppm-sensorn om nödvändigt 										
<p>ORP(mV) - Alarm High</p> 	<p>Lågt och högt larm syns om mätningen ligger utanför inställda säkerhetsvärden.</p> <p>De höga ClmV-säkerhetsvärdena får inte modifieras:</p> <table border="1" data-bbox="790 638 1157 750"> <thead> <tr> <th>Mode</th> <th>Alarm ORP high</th> </tr> </thead> <tbody> <tr> <td>Standard</td> <td>ClmV > 855</td> </tr> <tr> <td>Biopool</td> <td>ClmV > 855</td> </tr> </tbody> </table> <ul style="list-style-type: none"> Kontrollera klornivån i poolen med en fotometer eller teststicka. Rengör och kalibrera ORP-sensorn om nödvändigt. Om du har ett lågt värde för fritt klor och ett högt totalt klorvärde, utför chockklorering (med natriumhypoklorit), för att minska kloraminerna. Om klor-ppm är högt och mV-avläsningen är låg, kontrollera cyanursyrakoncentrationen. Om värdena överstiger 60 ppm, töm poolen delvis. Öka den dagliga filtreringen. Om avvikelsen är hög under kalibreringsprocessen (± 60 mV i 470 mV-lösningen) kommer utrustningen att rapportera ett fel i mätningen, något som kan bero på försämring av sensorn eller kalibreringslösningen. 	Mode	Alarm ORP high	Standard	ClmV > 855	Biopool	ClmV > 855				
Mode	Alarm ORP high										
Standard	ClmV > 855										
Biopool	ClmV > 855										
<p>Larm för pH Low/High</p> 	<p>Lågt och högt larm syns om mätningen ligger utanför inställda säkerhetsvärden.</p> <p>Dessa säkerhetsvärden får inte ändras (om larmet för pH High visas kommer pH-pumpen att stängas av säkerhetsskäl):</p> <table border="1" data-bbox="678 1008 1268 1120"> <thead> <tr> <th>Mode</th> <th>ALARM pH Low</th> <th>ALARM pH High</th> </tr> </thead> <tbody> <tr> <td>Standard</td> <td>pH < 6,5</td> <td>pH > 8,5</td> </tr> <tr> <td>Biopool</td> <td>pH < 6,0</td> <td>pH > 9,0</td> </tr> </tbody> </table> <ul style="list-style-type: none"> Kontrollera pH-nivån i poolen med en fotometer eller teststicka. Rengör och kalibrera pH-sensorn om nödvändigt. Se avsnitt 6.1 - 6.2 och 8 i manualen för mer information om underhåll av sensorena. Poolens pH måste manuellt sänkas till 8,45 (standardläge) eller 8,95 (biopool-läge) för att pumpen ska dosera igen. Om avvikelsen är hög under kalibreringsprocessen (± 1 pH-enhet) kommer utrustningen att rapportera ett fel i mätningen, något som kan bero på försämring av sensorn eller kalibreringslösningen. 	Mode	ALARM pH Low	ALARM pH High	Standard	pH < 6,5	pH > 8,5	Biopool	pH < 6,0	pH > 9,0	
Mode	ALARM pH Low	ALARM pH High									
Standard	pH < 6,5	pH > 8,5									
Biopool	pH < 6,0	pH > 9,0									
<p>PUMP-STOP-larm</p> 	<p>När FUNKTIONEN PUMP-STOP är aktiverad (standard 60 min), stoppar systemet doseringspumpen efter en programmerad tid utan att ha nått pH-börvärdet (setpoint).</p> <ul style="list-style-type: none"> Kontrollera pH-värdet i poolen med en fotometer eller teststicka. Rengör och kalibrera pH-sensorn om nödvändigt Kontrollera och justera vattnets alkalinitet (rådgör med din poolspecialist). Kontrollera nivåerna av syra i flaskan. 										
<p>Cell-larm</p> 	<p>Cell-larmet visas när enheterna upptäcker att elektroden är vid slutet av sin livslängd (passiverad). Uppskattad livslängd för elektroderna = 8 000 – 10 000 timmar</p> <ul style="list-style-type: none"> Byt ut elektroden om nödvändigt 										
<p>Larm i Sensor för TEMPERATUR Low/High</p> 	<ul style="list-style-type: none"> Temperaturlarmet visas när temperaturvärdena ligger utanför våra konfigurerade värden. (temperaturlarmet är inaktiverat som standard) När vattentemperaturen är mycket låg kommer utrustningen inte att nå 100 % produktion på grund av låg konduktivitet. 										
<p>Larm för g/L Low/High</p> 	<ul style="list-style-type: none"> Precis som temperaturlarmet kommer detta larm att visas när salt g/L-värdena ligger utanför våra konfigurerade värden. (g/L-larmet är inaktiverat som standard) Vanligtvis, när g/L-värdet är mycket lågt eller högt, kommer detta att påverka produktionen i enheten, på grund av vattnets konduktivitet. 										
<p>Larm E1...E5</p> 	<table border="1" data-bbox="478 1758 1468 2049"> <tbody> <tr> <td>E1</td> <td>När kalibreringstiden överstiger 5 min utan att användaren ingriper</td> </tr> <tr> <td>E2</td> <td>När avvikelsen mellan avläsningarna under tillåtet område (t.ex. defekt sensor) <ul style="list-style-type: none"> Temperatur: Avvikelse på $\pm 20^{\circ}\text{C}$ pH: Avvikelse på ± 1 pH-enhet ORP: Avvikelse på ± 60 mV i 470 mV-lösningen </td> </tr> <tr> <td>E3</td> <td>-</td> </tr> <tr> <td>E4</td> <td>Omöjligt att kalibrera T, pH fast och salthalt (g/L) när filtreringen är avstängd.</td> </tr> <tr> <td>E5</td> <td>Aktiveras när kalibreringen inte kan utföras om: <ul style="list-style-type: none"> Temperatur: Det finns ingen NTC Salthalt g/L: Produktionen är lägre än 30 %. pH/ORP: Det finns ingen kontrollmodul eller så initieras systemet. </td> </tr> </tbody> </table>	E1	När kalibreringstiden överstiger 5 min utan att användaren ingriper	E2	När avvikelsen mellan avläsningarna under tillåtet område (t.ex. defekt sensor) <ul style="list-style-type: none"> Temperatur: Avvikelse på $\pm 20^{\circ}\text{C}$ pH: Avvikelse på ± 1 pH-enhet ORP: Avvikelse på ± 60 mV i 470 mV-lösningen 	E3	-	E4	Omöjligt att kalibrera T, pH fast och salthalt (g/L) när filtreringen är avstängd.	E5	Aktiveras när kalibreringen inte kan utföras om: <ul style="list-style-type: none"> Temperatur: Det finns ingen NTC Salthalt g/L: Produktionen är lägre än 30 %. pH/ORP: Det finns ingen kontrollmodul eller så initieras systemet.
E1	När kalibreringstiden överstiger 5 min utan att användaren ingriper										
E2	När avvikelsen mellan avläsningarna under tillåtet område (t.ex. defekt sensor) <ul style="list-style-type: none"> Temperatur: Avvikelse på $\pm 20^{\circ}\text{C}$ pH: Avvikelse på ± 1 pH-enhet ORP: Avvikelse på ± 60 mV i 470 mV-lösningen 										
E3	-										
E4	Omöjligt att kalibrera T, pH fast och salthalt (g/L) när filtreringen är avstängd.										
E5	Aktiveras när kalibreringen inte kan utföras om: <ul style="list-style-type: none"> Temperatur: Det finns ingen NTC Salthalt g/L: Produktionen är lägre än 30 %. pH/ORP: Det finns ingen kontrollmodul eller så initieras systemet. 										

**BEMÆRK**

Den korte manual, der følger med dette produkt, indeholder kun grundlæggende oplysninger om sikkerhedsforanstaltninger, der skal implementeres under installation, vedligeholdelse og opstart.

Den samlede manual kan tilgås og downloades som en PDF-fil fra følgende hjemmeside: <https://www.zodiac.com>. Alt montage-, elinstallations- og vedligeholdelsesarbejde skal udføres af kvalificeret og autoriseret personale, som omhyggeligt har læst alle installations- og betjeningsvejledninger.



Generelle karakteristika:

- Når saltelektrolysesystemet er installeret, er det nødvendigt at opløse en mængde salt i vandet. Saltelektrolysesystemet består af to elementer: en elektrolysecelle og en kontrolenhed. Elektrolysecellen indeholder et antal titaniumpoler (elektroder), så når der sendes en elektrisk strøm gennem dem, og saltopløsningen passerer gennem dem, produceres der frit klor.
- Opretholdelsen af et vist niveau af klor i poolvandet sikrer dets hygiejniske kvalitet. Saltelektrolysesystemet vil producere klor, når poolens filtreringssystem (pumpe og filter) er i drift.
- Kontrolenheden disponerer over flere sikkerhedsanordninger, som aktiveres i tilfælde af unormal systemdrift, såvel som en mikrostyreenhed til kontrol.
- Saltelektrolysesystemerne råder over et automatisk rengøringsystem til elektroderne, som forhindrer, at der dannes belægninger på dem.

⚠ Sikkerhedsadvarsler og anbefalinger:

- Installationen eller håndteringen skal udføres af kvalificeret personale.
- De gældende regler for forebyggelse af ulykker og elektriske installationer skal overholdes.
- Ved installationen, skal der tages højde for, at det med hensyn til elektrisk frakobling af udstyret er nødvendigt at indbygge en afbryder eller kredsløbsafbryder i overensstemmelse med IEC 60947-1 og IEC 60947-3, der sikrer omnipolær afbrydelse, direkte forbundet til strømforsyningsterminalerne og som skal have en kontaktadskillelse i alle poler, der leverer total frakobling under overspændingsforhold i kategori III, i et område, der overholder sikkerhedskravene på stedet. Afbryderen skal være placeret i umiddelbar nærhed af udstyret og skal være let tilgængelig. Desuden skal afbryderen markeres som udstyrets frakoblingselement.
- Udstyret skal forsynes med strøm fra en fejlstrømsenhed, der ikke overstiger 30 mA (RDC). Udstyret skal være udstyret med jordforbindelse.
- Installationen skal være i overensstemmelse med IEC / HD 60364-7-702 og gældende nationale standarder for svømmebassiner.
- Producenten kan på ingen måde gøres ansvarlig for montering, installation eller idriftsættelse, samt for enhver manipulation eller inkorporering af komponenter, der ikke er blevet udført af producenten.
- Dette apparat er ikke beregnet til anvendelse af personer (herunder børn) med nedsatte fysiske, sensoriske eller mentale evner eller manglende erfaring eller viden, undtagen hvis de er blevet vejledt eller instrueret af en sikkerhedsansvarlig person med hensyn til anvendelsen af apparatet. Børn bør overvåges for at sikre, at de ikke leger med apparatet.
- Hvis netkablet er beskadiget, skal det udskiftes af producenten, dennes eftersalgsservice eller tilsvarende kvalificeret personale for at undgå fare.
- Forsøg ikke at ændre kontrolenheden, så den fungerer ved en anden spænding.
- Sørg for at etablere solide elektriske forbindelser for at undgå falske kontakter, der kan resultere i overophedning.
- Før du installerer eller udskifter en komponent i systemet, skal du sørge for, at den på forhånd er blevet frakoblet strømforsyningen, og at der ikke løber vand igennem den. Brug kun originale reservedele.
- Da udstyret genererer varme, er det vigtigt at installere det på et tilstrækkeligt ventileret sted. Det må ikke installeres i nærheden af brændbare materialer.
- Også selv om udstyret har en IP-beskyttelsesgrad. Det må under ingen omstændigheder installeres i områder, der er udsat for oversvømmelse.
- Dette udstyr er beregnet til at være permanent tilsluttet vandforsyningen og må ikke tilsluttes ved hjælp af en midlertidig slange.
- Denne enhed er udstyret med et monteringsbeslag, se installationsvejledningen.

Idriftsættelse

1. Sørg for, at filteret er 100 % rent, og at poolvandet og installationen er fri for kobber, jern og alger, og at alt installeret varmeudstyr er kompatibelt med tilstedeværelsen af salt i vandet.
2. Afbalancering af poolvandet. Det vil give os mulighed for at opnå en mere effektiv behandling med en lavere koncentration af frit klor i vandet såvel som en længere levetid for elektroderne sammen med en lavere dannelse af kalkaflejringer i poolen.
3. Systemet har et driftområde på 3,5-10 g/L, og der bør gøres en indsats for at opretholde det anbefalede optimale saltindhold på 4 g/L.
4. Før du starter arbejds cyklussen, skal du afbryde kontrolenheden og lade filtreringspumpen køre i 24 timer for at sikre fuldstændig opløsning af saltet.
5. Start derefter saltelektrolysesystemet, så niveauet af frit klor holdes inden for de anbefalede niveauer (0,5 - 2 ppm).
6. Kompatibel med MagnaPool, se kapitel 2.8 i manualen.

Poolens balance

Oprethold følgende vandparametre:

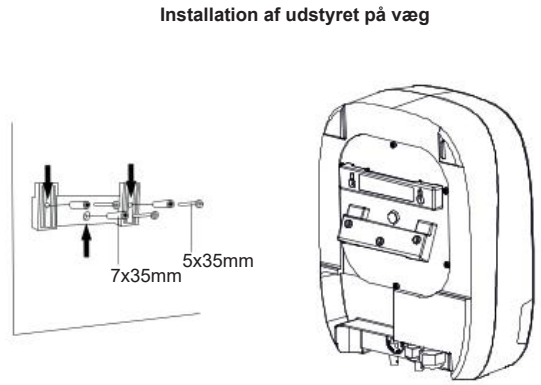
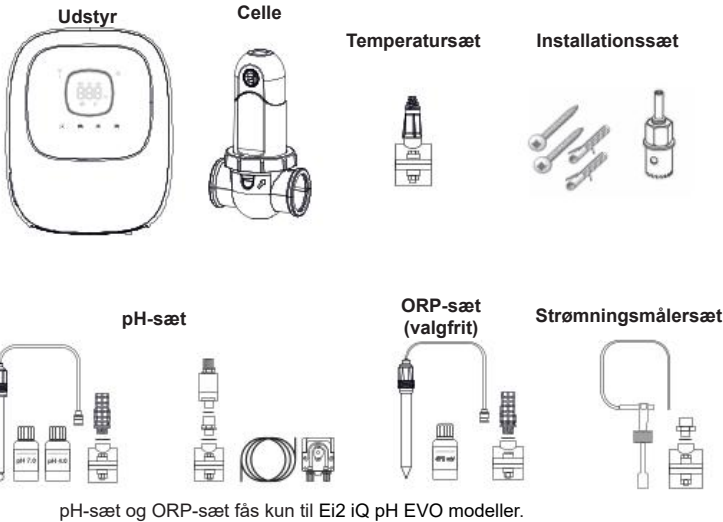
- Samlet alkalinitet mellem 80 og 150 mg/L (ppm)
- pH mellem 7,2 og 7,6
- Frit klor mellem 0,5 og 2 mg/L (ppm)
- Klorstabilisator 25-30 mg/L (ppm). I bassiner med stærkt solskin eller intensiv brug anbefales det at opretholde et niveau på 25-30 mg/L som stabilisator (isocyanursyre).



Der henvises til den samlede manual for yderligere information om:

- Installation og kalibrering af sensorer for pH, ORP, ppm, g/L og temperatur.
- Vedligeholdelse af elektrolysecellen og de peristaltiske pumper.

Komponenter og installation



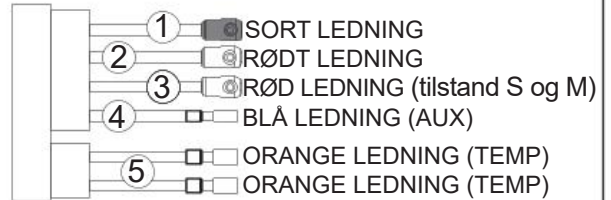
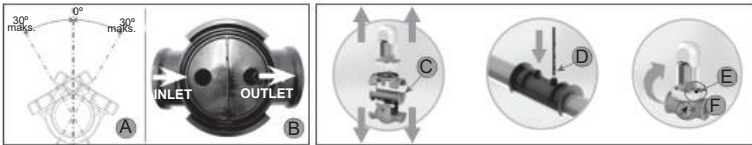
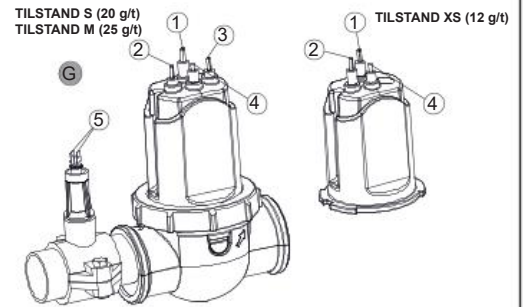
OBS: Skal altid installeres lodret på en robust flade og på et tørt og ventileret sted. Det anbefales, at udstyret installeres på steder, der ikke er udsat for vind og vejr. Undgå dannelse af korroderende miljøer.



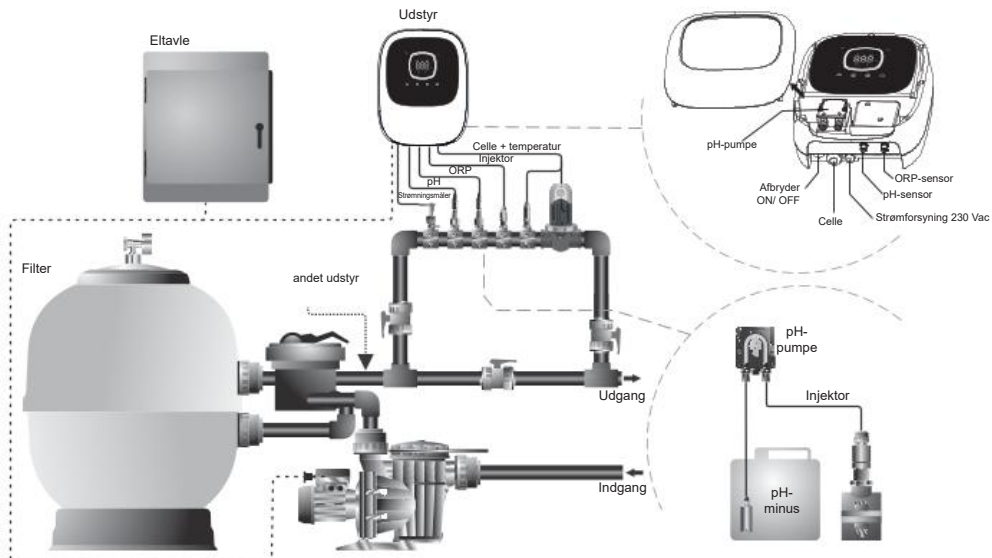
Se den samlede manual for yderligere oplysninger om installation og ledningsføring.

Tilslutning af elektrolysecelle

1. Cellen skal installeres i et vandret rør for at sikre, at vandet strømmer igennem det, med en vinkel eller hældning, der ikke overstiger 30° (A)
2. Respekter vandets strømningretning. (B)
3. Afmonter cellen. (C)
4. Placer EU-røradapteren (DN50 mm) omvendt på det ønskede sted for rørføringen (D). Markér ved hjælp af et bor eller en punsel, der hvor der skal bores huller i røret, fjern adapteren, og bor hullerne med den medfølgende hulsav.
5. Fastgør den nederste og øverste del af cellens krave på røret på højde med hullerne, og respekter vandets strømningretning (C).
6. Placer den høje, gennemsigtige del af cellen (med en positionsindikator), sæt spændingen på den øverste kræves gevind, således at punktet (E) på kraven flugter med pilen på kraven (F), og stram den derefter godt til med hånden (**uden brug af værktøj**).
7. Tilslut cellens strømforsyningskabel under hensyntagen til ledningernes farvekoder (G) (røde, sorte og blå stik), og sæt derefter beskyttelseshætten på.

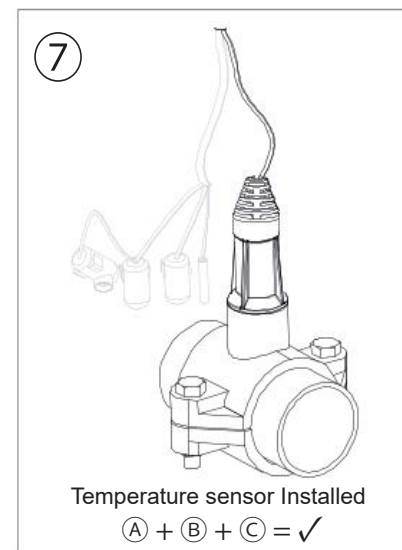
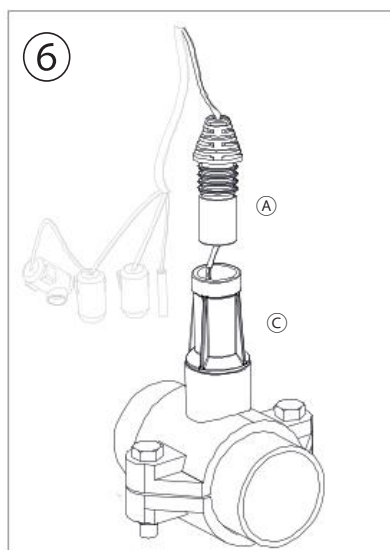
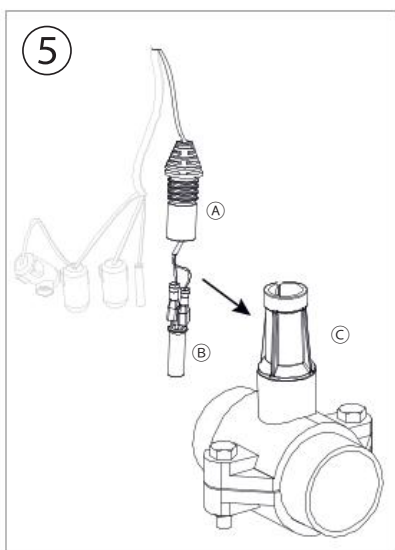
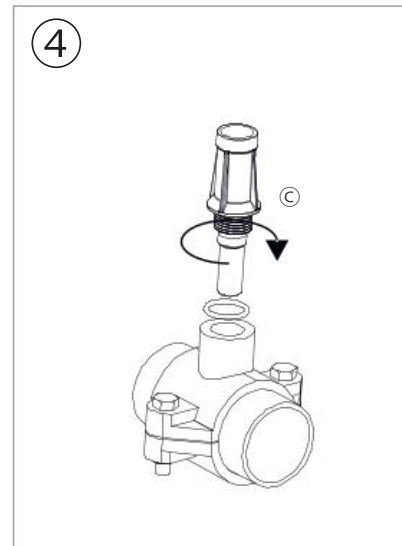
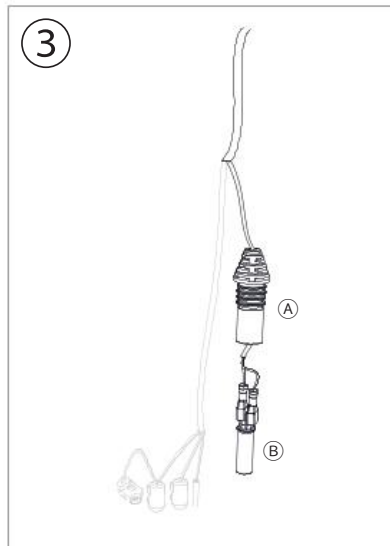
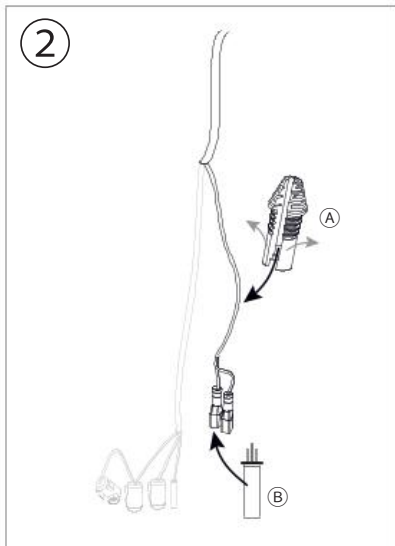
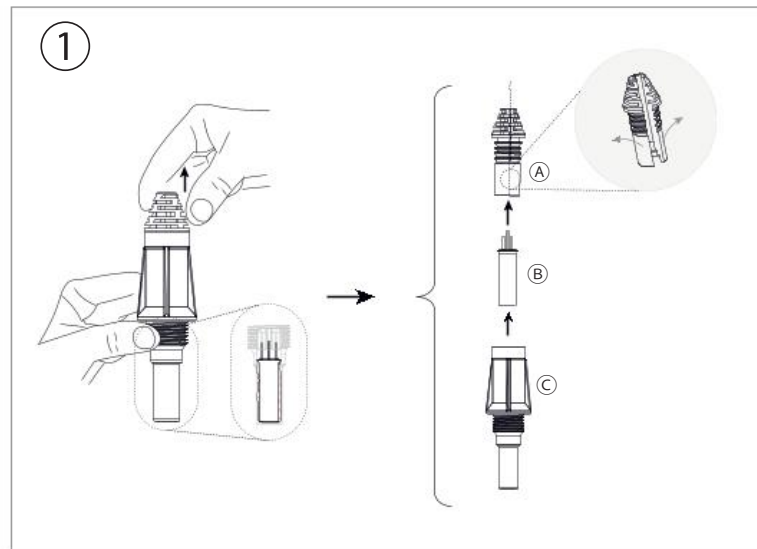
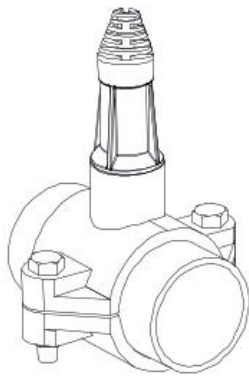


Installationsdiagram

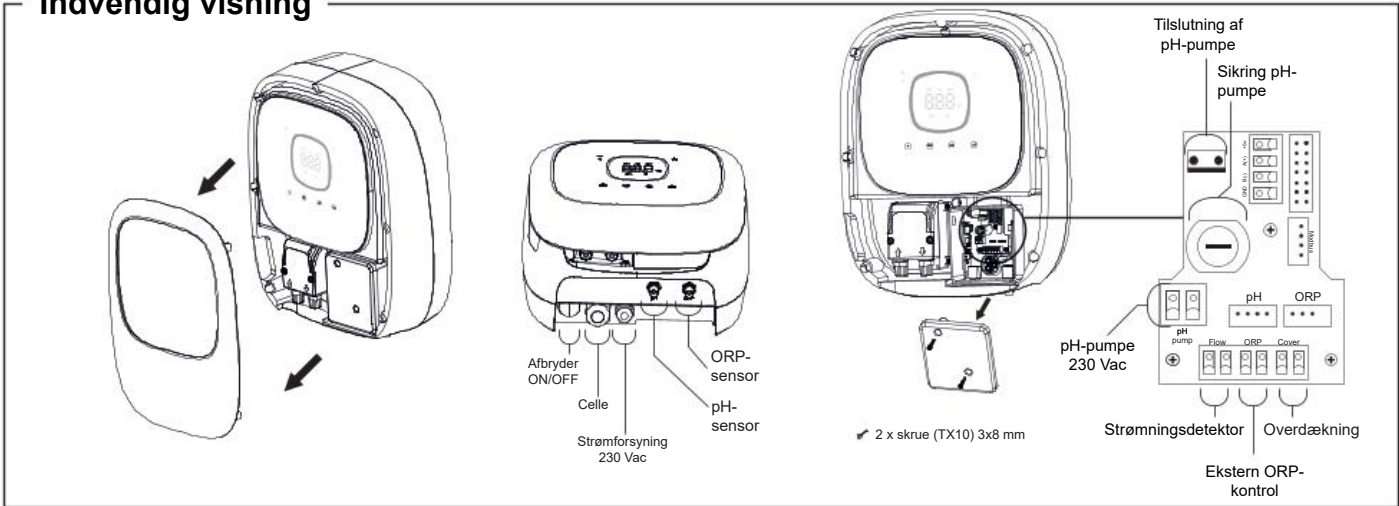


Bemærk: Dette diagram viser en installation af en Ei2 iQ pH EVO model med alle muligheder installeret. Dette diagram kan variere afhængigt af den købte model.

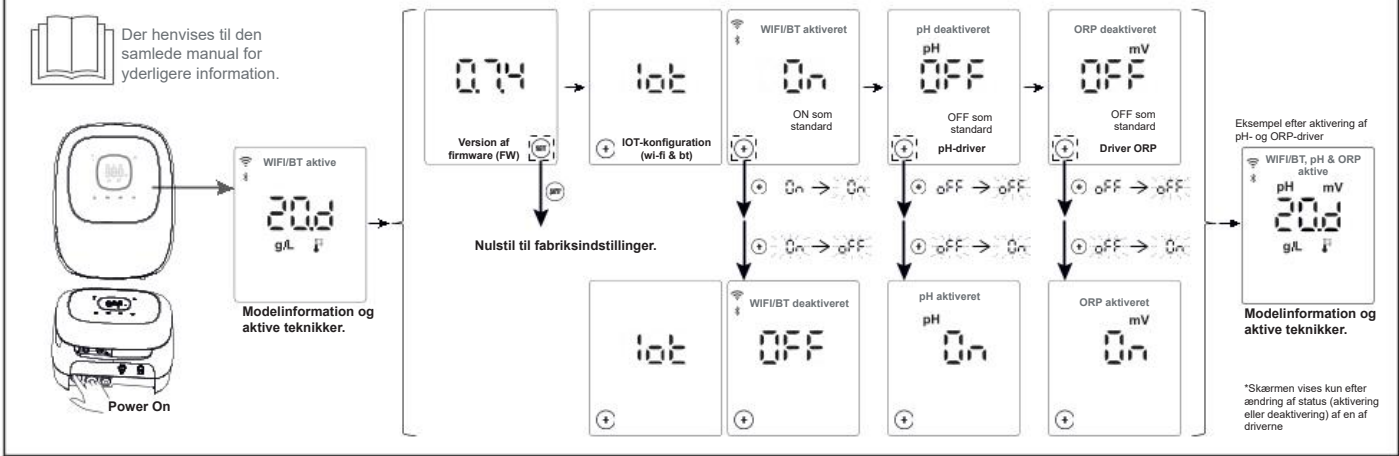
Temperatursæt: Komponenter og installation



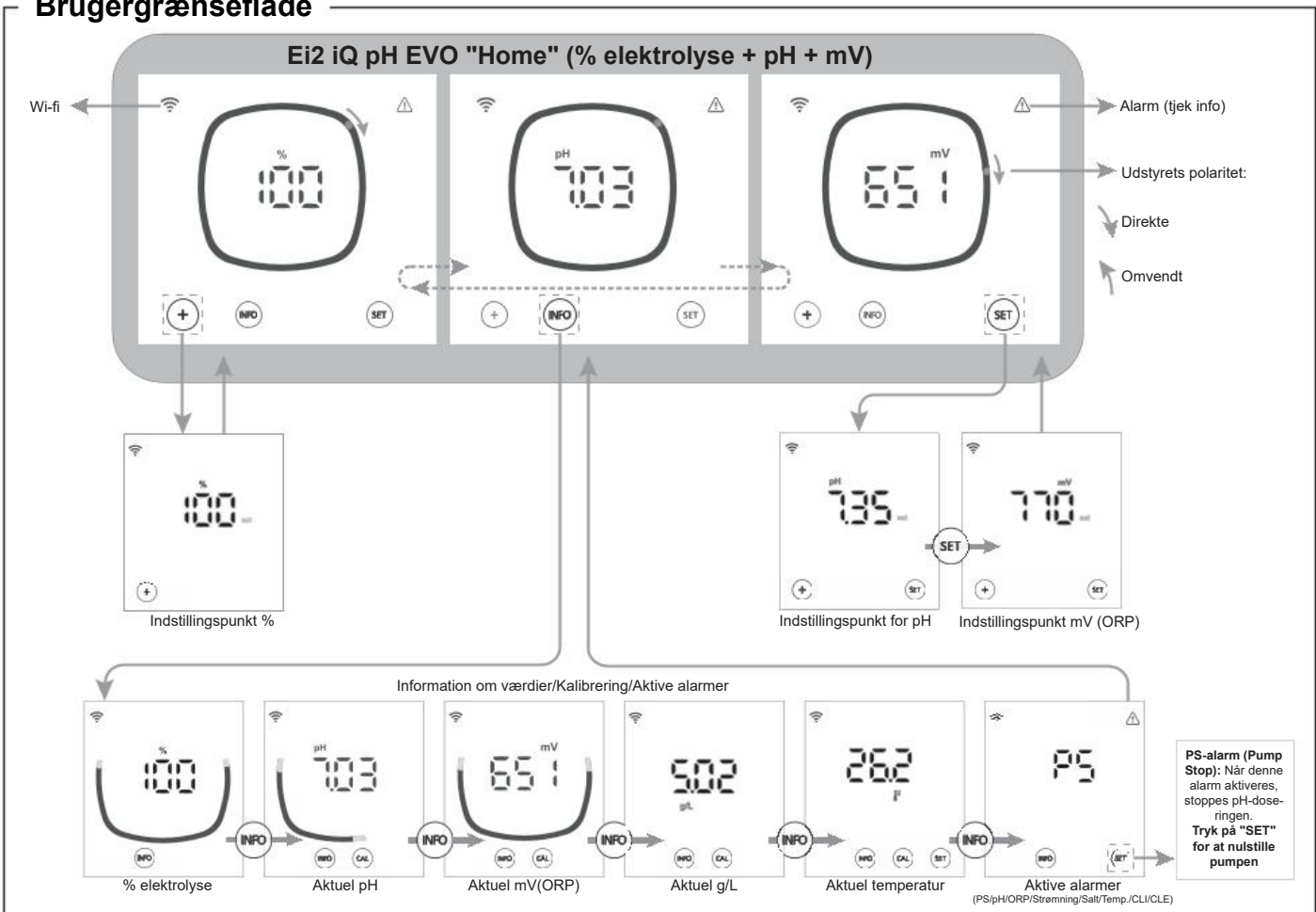
Indvendig visning



Opstartssekvens, aktivering/deaktivering af wi-fi og pH/ORP-drivere



Brugergrænseflade

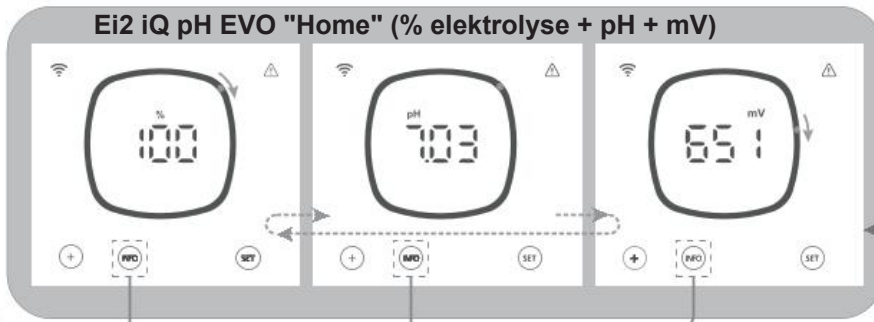


Konfigurationsmenu



Se den samlede manual for yderligere oplysninger om udstyrets konfigurationer.

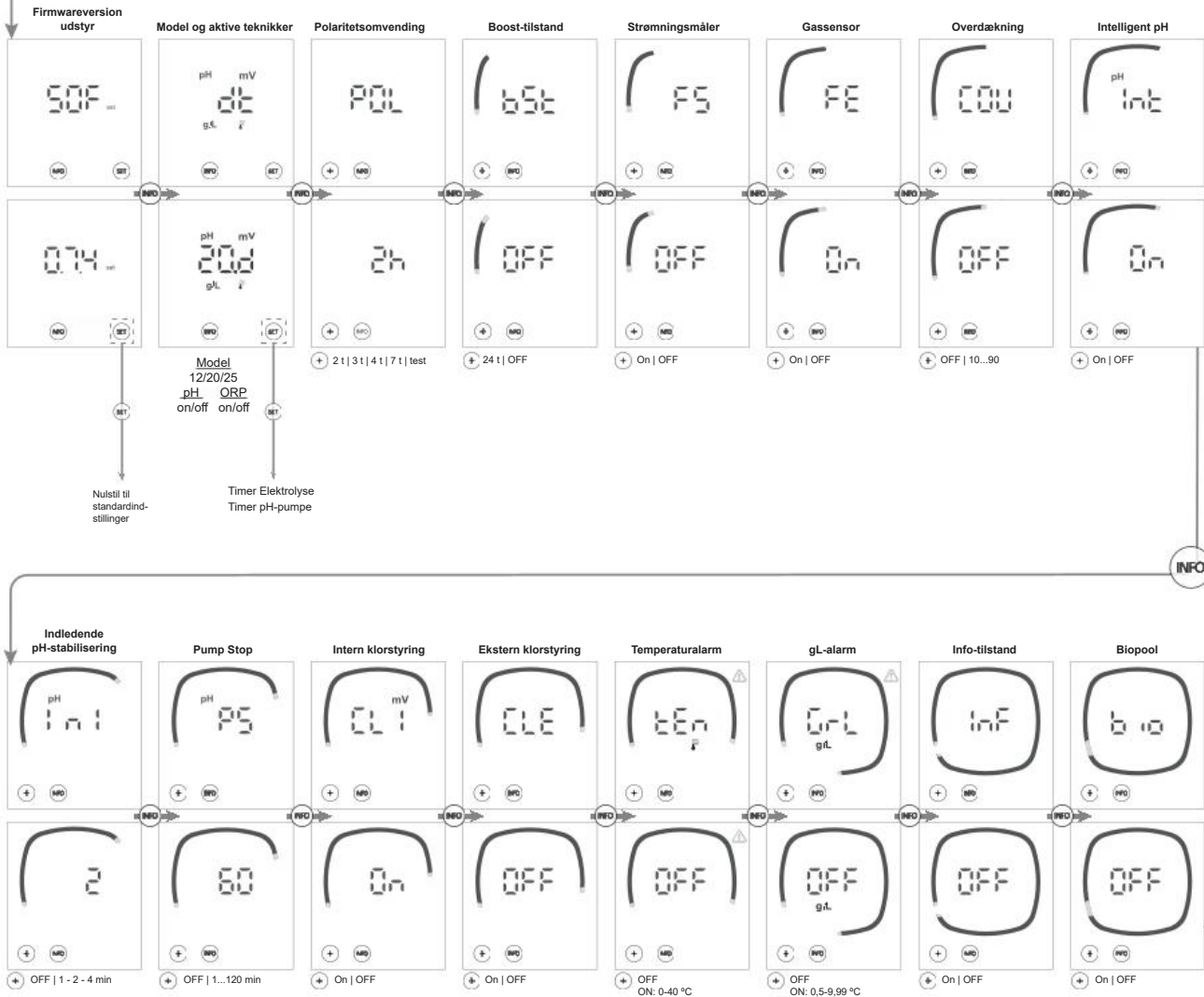
Ei2 iQ pH EVO "Home" (% elektrolyse + pH + mV)



Konfiguration Alarmer

CFG ALA

Tryk på "INFO" i 5 sekunder, indtil "CFG" vises på skærmen.



Bemærk: Standardindstilling vist på skærme

Tilslutning til Fluidra Pool




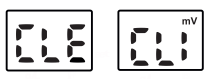
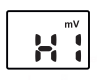
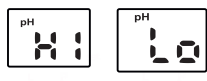

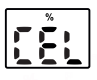
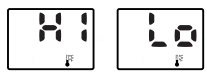
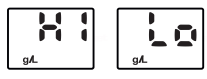
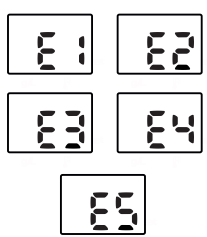
1) Download og installer FLUIDRA POOL-appen.

2) Opret en brugerkonto, og konfigurér poolparametrene.

3) Aktiver parringstilstand på udstyret ("+" & "INFO" samtidigt i 5 s).

4) I FLUIDRA POOL-appen skal du klikke på Tilføj udstyr og følge instruktionerne.

Løsning af grundlæggende problemer

Besked	Løsning										
<p>Strømningsalarm - Gassensor (FE) - Strømningssensor (FS)</p> 	<p>Strømningsalarmen vises, fordi cellen ikke er helt oversvømmet (elektrodegassensor), eller fordi der ikke er nogen vandstrømning (padesensor).</p> <ul style="list-style-type: none"> Tjek pumpen, filteret og skylleventilen. Rengør om nødvendigt. 										
<p>STOP CL-alarm</p> 	<p>STOP CL-alarmen kan blive vist af en af tre årsager:</p> <p>CLE = Stoppet af en ekstern kontrolenhed</p> <ul style="list-style-type: none"> Tjek den eksterne regulator (ORP/ppm), og verificer aflæsningen. Hvis du ikke har en ekstern kontrolenhed, skal du deaktivere CLE-funktionen (CLE=off), ellers vil produktionen ikke starte. <p>CLI = Stoppet grundet værdien af ClmV eller Clppm i enheden.</p> <ul style="list-style-type: none"> Tjek klorindholdet i poolen med et fotometer eller en teststrimmel. Rengør og kalibrer ORP/ppm-sensoren, hvis det er nødvendigt 										
<p>ORP(mV) - Alarm høj</p> 	<p>Alarmerne for lav og høj vises, hvis målingen ligger uden for de etablerede sikkerhedsværdier.</p> <p>ClmV-sikkerhedsværdierne for høj kan ikke ændres:</p> <table border="1" data-bbox="790 638 1157 750"> <thead> <tr> <th>Tilstand</th> <th>Alarm for høj ORP</th> </tr> </thead> <tbody> <tr> <td>Standard</td> <td>ClmV > 855</td> </tr> <tr> <td>Biopool</td> <td>ClmV > 855</td> </tr> </tbody> </table> <ul style="list-style-type: none"> Tjek klorindholdet i poolen med et fotometer eller en teststrimmel. Rengør og kalibrer ORP-sensoren, hvis det er nødvendigt. Hvis der er en lav frit klor-værdi og en høj samlet klor-værdi, skal du udføre en chokklorering (med natriumhypoklorit) for at reducere kloraminerne. Hvis ppm for klor er høj, og mV-aflæsningen er lav, skal du kontrollere cyanursyrekoncentrationen. I tilfælde af værdier over 60 ppm skal poolen tømmes delvist. Øg den daglige filtrering. Hvis afvigelsen under kalibreringsprocessen er høj (± 60 mV i opløsningen på 470 mV), vil instrumentet rapportere en målefejl, som kan skyldes en nedslidning af sensoren eller kalibreringsopløsningen. 	Tilstand	Alarm for høj ORP	Standard	ClmV > 855	Biopool	ClmV > 855				
Tilstand	Alarm for høj ORP										
Standard	ClmV > 855										
Biopool	ClmV > 855										
<p>Alarm for pH lav/høj</p> 	<p>Alarmerne for lav og høj vises, hvis målingen ligger uden for de etablerede sikkerhedsværdier.</p> <p>Disse sikkerhedsværdier kan ikke ændres (hvis alarmerne for høj pH vises, slukkes pH-pumpen af sikkerhedsmæssige årsager.):</p> <table border="1" data-bbox="678 1008 1268 1120"> <thead> <tr> <th>Tilstand</th> <th>Alarm for pH lav</th> <th>Alarm for pH høj</th> </tr> </thead> <tbody> <tr> <td>Standard</td> <td>pH < 6,5</td> <td>pH > 8,5</td> </tr> <tr> <td>Biopool</td> <td>pH < 6,0</td> <td>pH > 9,0</td> </tr> </tbody> </table> <ul style="list-style-type: none"> Tjek pH-niveauet i poolen med et fotometer eller en teststrimmel. Rengør og kalibrer pH-sensoren, hvis det er nødvendigt. Se afsnit 6.1 - 6.2 og 8 i manualen for mere information om vedligeholdelse af sensorer. Poolens pH-værdi skal manuelt sænkes til 8,45 (standardtilstand) eller 8,95 (biopool-tilstand), før pumpen kan genoptage doseringen. Hvis afvigelsen under kalibreringsprocessen er høj (± 1 pH-enhed), vil instrumentet rapportere en målefejl, som kan skyldes nedslidning af sensoren eller kalibreringsopløsningen. 	Tilstand	Alarm for pH lav	Alarm for pH høj	Standard	pH < 6,5	pH > 8,5	Biopool	pH < 6,0	pH > 9,0	
Tilstand	Alarm for pH lav	Alarm for pH høj									
Standard	pH < 6,5	pH > 8,5									
Biopool	pH < 6,0	pH > 9,0									
<p>PUMPESTOP-alarm</p> 	<p>Når PUMPESTOP-FUNKTIONEN er aktiveret (som standard 60 min), stopper systemet doseringspumpen efter en programmeret tid uden at have nået pH-målsætningen.</p> <ul style="list-style-type: none"> Tjek pH-værdien i poolen med et fotometer eller en teststrimmel. Rengør og kalibrer pH-sensoren, hvis det er nødvendigt Tjek og juster vandets alkalinitet (kontakt din poolspecialist). Tjek syreniveauet i karaffen. 										
<p>Cellealarm</p> 	<p>Cellealarmen vises, når enhederne registrerer, at elektroden er ved slutningen af sin levetid (passiveret). Estimeret levetid for elektroderne = 8.000 - 10.000 timer</p> <ul style="list-style-type: none"> Udskift elektroden, hvis det er nødvendigt 										
<p>Alarm for TEMPERATUR-sensor lav/høj</p> 	<ul style="list-style-type: none"> Temperaturalarmen vises, når temperaturværdierne ligger uden for de værdier, som brugeren har indstillet. (Temperaturalarm deaktiveret som standard) Når vandtemperaturen er meget lav, vil udstyret, på grund af den lave ledningsevne, ikke opnå en produktion på 100 %. 										
<p>Alarm for g/L lav/høj</p> 	<ul style="list-style-type: none"> Ligesom temperaturalarmen vises denne alarm, når g/L-saltværdierne ligger uden for de værdier, som brugeren har indstillet. (g/L-alarm deaktiveret som standard) Når g/L-værdien er for lav eller for høj, vil det normalt påvirke enhedens udgangseffekt på grund af vandets ledningsevne. 										
<p>Alarmer E1...E5</p> 	<table border="1" data-bbox="478 1758 1461 2051"> <tbody> <tr> <td>E1</td> <td>Når kalibreringstiden overstiger 5 minutter uden brugerindgreb</td> </tr> <tr> <td>E2</td> <td>Når afvigelsen mellem målingerne under kalibreringsprocessen er højere end det tilladte område (f.eks. defekt sensor) <ul style="list-style-type: none"> Temperatur: Afvigelse på $\pm 20^{\circ}\text{C}$ pH: Afvigelse på ± 1 pH-enhed ORP: Afvigelse på ± 60 mV i 470 mV-opløsningen </td> </tr> <tr> <td>E3</td> <td>-</td> </tr> <tr> <td>E4</td> <td>Manglende evne til at kalibrere T, hurtig pH og saltholdighed (g/L), når filtreringen er slået fra</td> </tr> <tr> <td>E5</td> <td>Aktiveres, når kalibrering ikke kan udføres, hvis: <ul style="list-style-type: none"> Temperatur: Ingen negativ temperaturkoefficient (NTC). Salinitet g/L: Produktionen er mindre end 30 %. pH/ORP: Der er ingen driver eller systemet er under opstart. </td> </tr> </tbody> </table>	E1	Når kalibreringstiden overstiger 5 minutter uden brugerindgreb	E2	Når afvigelsen mellem målingerne under kalibreringsprocessen er højere end det tilladte område (f.eks. defekt sensor) <ul style="list-style-type: none"> Temperatur: Afvigelse på $\pm 20^{\circ}\text{C}$ pH: Afvigelse på ± 1 pH-enhed ORP: Afvigelse på ± 60 mV i 470 mV-opløsningen 	E3	-	E4	Manglende evne til at kalibrere T, hurtig pH og saltholdighed (g/L), når filtreringen er slået fra	E5	Aktiveres, når kalibrering ikke kan udføres, hvis: <ul style="list-style-type: none"> Temperatur: Ingen negativ temperaturkoefficient (NTC). Salinitet g/L: Produktionen er mindre end 30 %. pH/ORP: Der er ingen driver eller systemet er under opstart.
E1	Når kalibreringstiden overstiger 5 minutter uden brugerindgreb										
E2	Når afvigelsen mellem målingerne under kalibreringsprocessen er højere end det tilladte område (f.eks. defekt sensor) <ul style="list-style-type: none"> Temperatur: Afvigelse på $\pm 20^{\circ}\text{C}$ pH: Afvigelse på ± 1 pH-enhed ORP: Afvigelse på ± 60 mV i 470 mV-opløsningen 										
E3	-										
E4	Manglende evne til at kalibrere T, hurtig pH og saltholdighed (g/L), når filtreringen er slået fra										
E5	Aktiveres, når kalibrering ikke kan udføres, hvis: <ul style="list-style-type: none"> Temperatur: Ingen negativ temperaturkoefficient (NTC). Salinitet g/L: Produktionen er mindre end 30 %. pH/ORP: Der er ingen driver eller systemet er under opstart. 										



UWAGA

Niniejsza skrócona instrukcja towarzysząca produktowi zawiera jedynie podstawowe informacje dotyczące środków ostrożności, które muszą być zachowane podczas montażu, konserwacji i pierwszego uruchomienia urządzenia.

Kompletną instrukcję można pobrać i przeczytać w postaci pliku PDF, odwiedzając następującą stronę internetową: <https://www.zodiac.com>. Wszystkie czynności związane z montażem, podłączeniem elektrycznym i konserwacją urządzenia muszą być wykonywane przez wykwalifikowaną i upoważnioną osobę, która starannie przeczytała wszystkie instrukcje montażu i serwisu.



Cechy ogólne:

- Po zainstalowaniu systemu elektrolizy soli niezbędne jest rozpuszczenie w wodzie określonej ilości soli. System elektrolizy soli składa się z dwóch elementów: celi elektrolizy i sterownika. Cella elektrolizy zawiera określoną liczbę płytek tytanu (elektrod). Gdy są one omywane przez solankę, jednocześnie przepływa przez nie prąd elektryczny, wskutek czego powstaje chlor.
- Utrzymanie określonej zawartości chloru w wodzie basenowej umożliwia spełnienie przez nią określonych wymagań jakościowo-sanitarnych. System elektrolizy soli wytwarza chlor, gdy system filtracji wody w basenie (pompa i filtr) jest sprawny.
- Sterownik został wyposażony w różne urządzenia zabezpieczające, które aktywują się w przypadku zakłóceń działania systemu, a także w mikrokontroler sterujący.
- Systemy elektrolizy soli są wyposażone w automatyczny system oczyszczania elektrod, który zapobiega tworzeniu się na nich osadów.

Ostrzeżenia i zalecenia:

- Montaż urządzenia i praca przy nim to czynności zastrzeżone dla osób o odpowiednich kwalifikacjach.
- Należy przestrzegać obowiązujących przepisów BHP, w tym tych dotyczących instalacji elektrycznych.
- Podłączając urządzenie do zasilania należy zastosować wyłącznik lub wyłącznik automatyczny spełniający normy IEC 60947-1 i IEC 60947-3 odłączający wszystkie bieguny, podłączony bezpośrednio do styków zasilania. Musi on zapewniać separację styków na wszystkich biegunach i gwarantować całkowite odłączenie urządzenia w warunkach przepięcia kategorii III, w obszarze spełniającym wymogi bezpieczeństwa w miejscu instalacji. Wyłącznik musi znajdować się w bezpośredniej bliskości urządzenia i być łatwo dostępny. Ponadto należy go odpowiednio oznaczyć z podaniem informacji, że wyłącza on dane urządzenie.
- Urządzenie musi być zasilane przez wyłącznik różnicowoprądowy o znamionowym prądzie różnicowym nieprzekraczającym 30 mA (RDC). Urządzenie musi być uziemione.
- Instalacja musi spełniać normę IEC / HD 60364-7-702 oraz krajowe normy dotyczące basenów.
- Producent w żadnym wypadku nie odpowiada za montaż, podłączenie lub uruchomienie urządzenia, ani też nie odpowiada za manipulacje lub montaż podzespołów, które nastąpiły poza zakładem produkcyjnym.
- To urządzenie nie może być używane przez osoby (w tym dzieci) o ograniczonych zdolnościach fizycznych, czuciowych lub umysłowych, niedoświadczonych lub niedysponujących niezbędną wiedzą, chyba że zostały pouczone lub przeszkolone w użyciu urządzenia przez osobę odpowiedzialną za ich bezpieczeństwo. Należy dopilnować, aby dzieci nie bawiły się urządzeniem.
- W przypadku uszkodzenia kabla zasilającego należy zlecić jego wymianę producentowi, serwisowi posprzedażnemu lub osobie o podobnych kwalifikacjach, aby wykluczyć zagrożenia.
- Nie należy modyfikować sterownika w celu podłączenia go do innego napięcia.
- Podłączenie elektryczne należy wykonać w sposób staranny, aby zapobiec chwiejnym stykom, które mogłyby spowodować wzrost temperatury.
- Przed montażem lub wymianą jakiegokolwiek podzespołu urządzenia należy upewnić się, że zostało ono prawidłowo odłączone od źródła zasilania i że nie przepływa przez nie woda. Używać wyłącznie oryginalnych części zamiennych.
- Urządzenie wytwarza ciepło, dlatego musi być montowane w miejscach o dobrej wentylacji. Nie montować urządzenia w pobliżu materiałów palnych.
- Pomimo, że urządzenie ma stopień ochrony IP, nie należy montować go na obszarach, w których mogą wystąpić powodzie.
- Urządzenie musi być podłączone stale do dopływu wody. Nie stosować w tym celu prowizorycznego węża.
- Urządzenie jest wyposażone we wspornik montażowy, który należy zamontować zgodnie z instrukcją.

Uruchomienie

1. Należy upewnić się, że filtr jest w 100% czysty i że woda basenowa i instalacja nie zawierają miedzi, żelaza ani alg. Wszelkie typ zainstalowanego ogrzewania musi mieć tolerancję na obecność soli w wodzie.
2. Skalibrować wodę basenową. Pozwoli nam to zwiększyć wydajność uzdatniania, ograniczając stężenie wolnego chloru w wodzie, wydłużyć działanie elektrod oraz ograniczyć osadzanie się kamienia w basenie.
3. System ma zakres pracy od 3,5 do 10 g/L, a należy dążyć do utrzymania zalecanego optymalnego poziomu soli wynoszącego 4 g/L.
4. Przed rozpoczęciem pracy odłączyć sterowniki uruchomić pompę systemu filtracji na 24 godziny, aby sól całkowicie się rozpuściła.
5. Następnie uruchomić system elektrolizy soli, aby poziom wolnego chloru utrzymywał się na zalecanym poziomie (0,5 - 2 ppm).
6. Kompatybilny z MagnaPool, patrz rozdział 2.8 w podręczniku.

Zapewnienie równowagi w basenie

Utrzymywać następujące parametry wody:

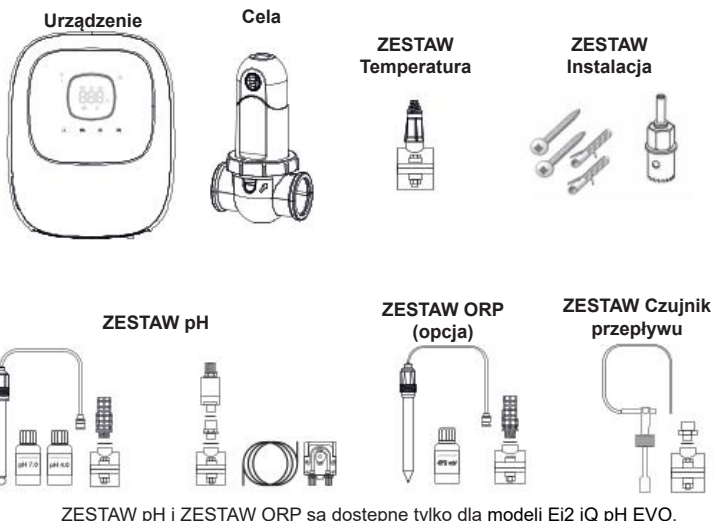
- Zasadowość ogólna między 80 a 150 mg/L (ppm)
- pH między 7,2 a 7,6
- Chlor wolny między 0,5 a 2 mg/L (ppm)
- Stabilizator chloru 25-30 mg/L (ppm). W basenach intensywnie wykorzystywanych lub o dużym nasłonecznieniu zaleca się utrzymywanie stabilizatora (kwasu izocyjanurowego) na poziomie 25-30 mg/L.



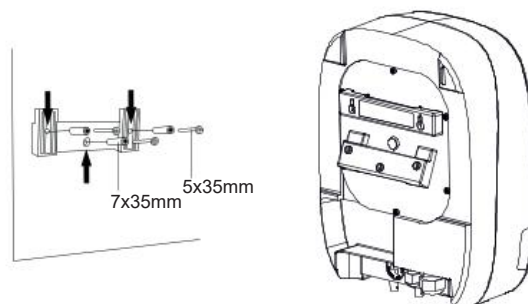
Więcej informacji na poniższe tematy podano w kompletnej instrukcji:

- Zamontować i skalibrować czujniki pH, ORP, ppm, g/L i temperatury.
- Konserwować celę elektrolizy i pompy perystaltyczne.

Podzespoły i montaż



Montaż natynkowy urządzenia



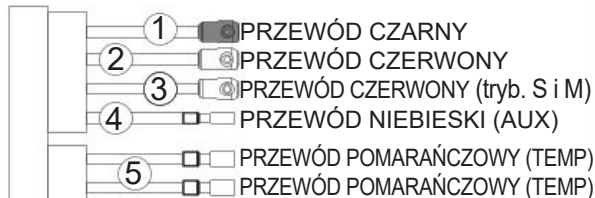
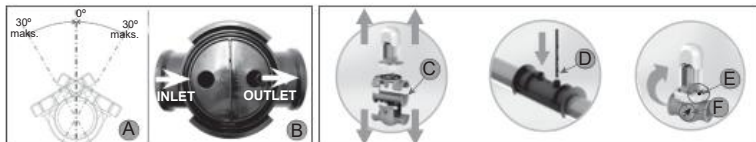
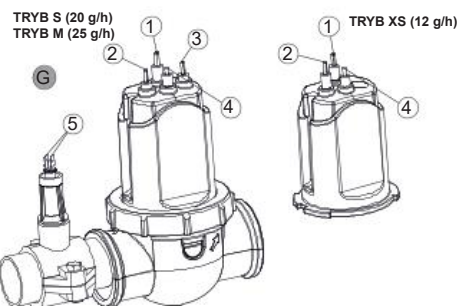
UWAGA: Montować urządzenie pionowo, na stabilnej powierzchni i w miejscu suchym i dobrze wentylowanym. Zaleca się montaż urządzenia w miejscu, w którym nie będzie przeszkadzać. Unikać środowiska powodującego korozję.



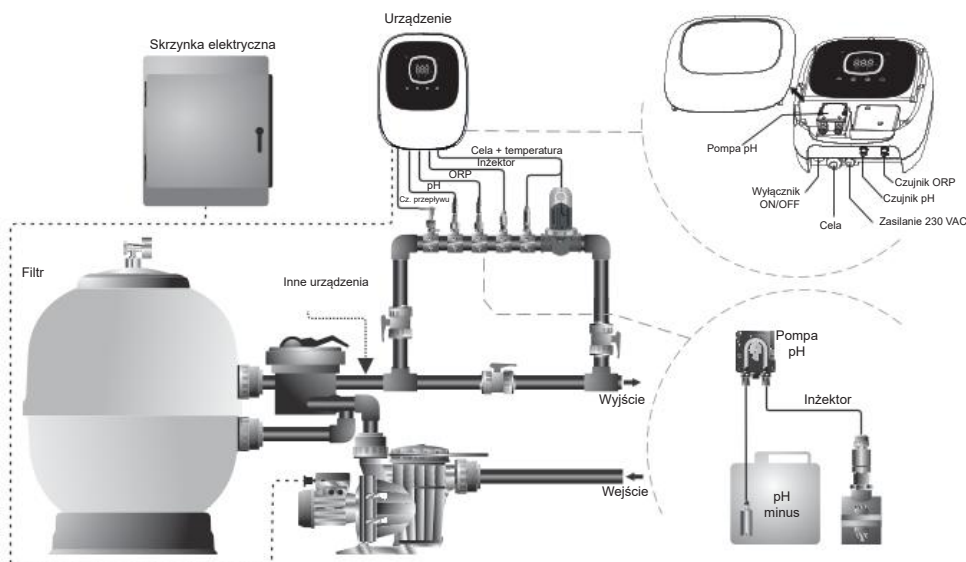
Więcej informacji na temat montażu i okablowania podano w kompletnej instrukcji.

Podłączenie celi elektrolizy

1. Cella należy zainstalować w poziomej rurze, aby zagwarantować, że będzie przez nią przepływać woda pod kątem nie większym niż 30° (A).
2. Przestrzegać kierunku przepływu wody. (B)
3. Wymontować cellę. (C)
4. Umieścić adapter rury UE (DN50 mm) odwrotnie do żądanej lokalizacji rury (D). Przy pomocy wiertła lub punktaka zaznaczyć położenie otworów w rurze, wyjąć adapter i wykonać otwory przy pomocy dostarczonej w komplecie koronki.
5. Zaczepić dolne i górne części kolnierza rury na wysokości otworów, przestrzegając kierunku przepływu wody (C).
6. Umieścić górną przezroczystą część celi (obecność wskaźnika pozycji), umieścić pierścienią zaciskową w szczelinie kolnierza wyrównując końcówkę (E) kolnierza ze strzałką kolnierza (F), a potem dobrze dokręcić ręcznie (**nie używając narzędzi**).
7. Połączyć kabel zasilania elektrycznego celi, przestrzegając kodów kolorów kabli (G) (łącznik(i) czerwony/e, czarny i niebieski), a potem założyć pokrywę ochronną.

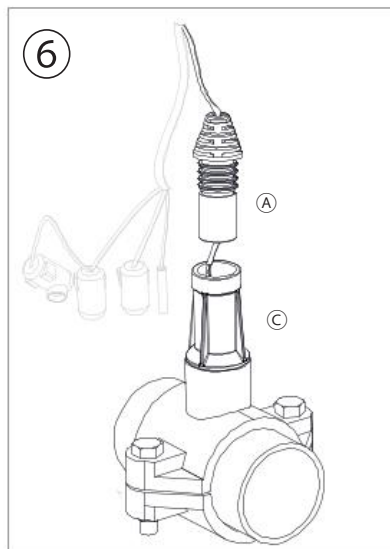
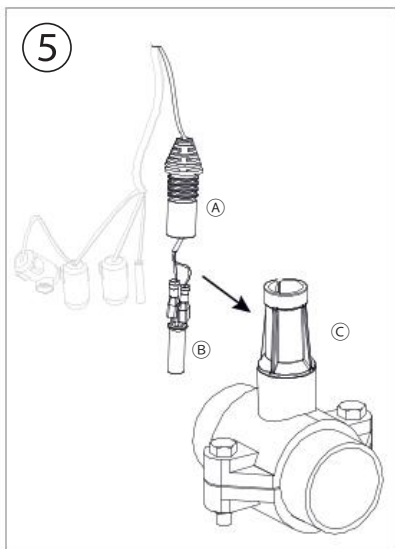
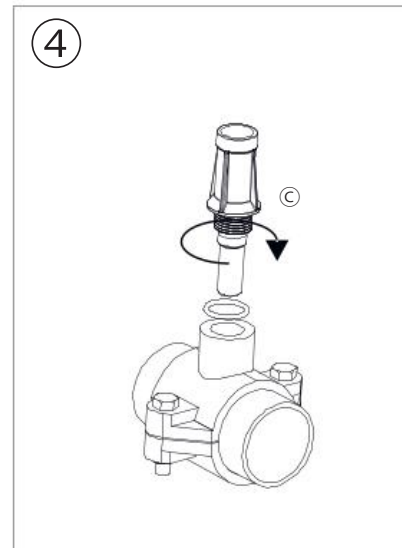
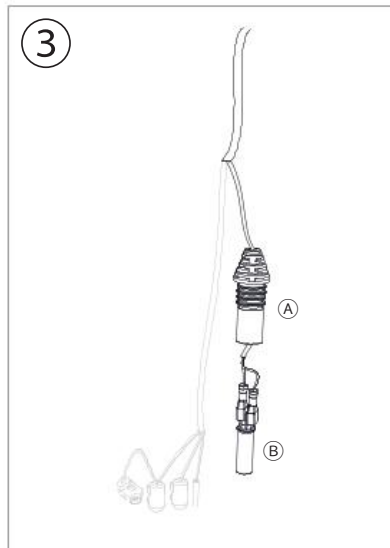
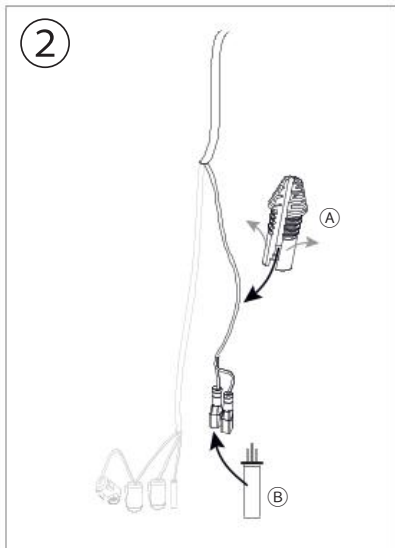
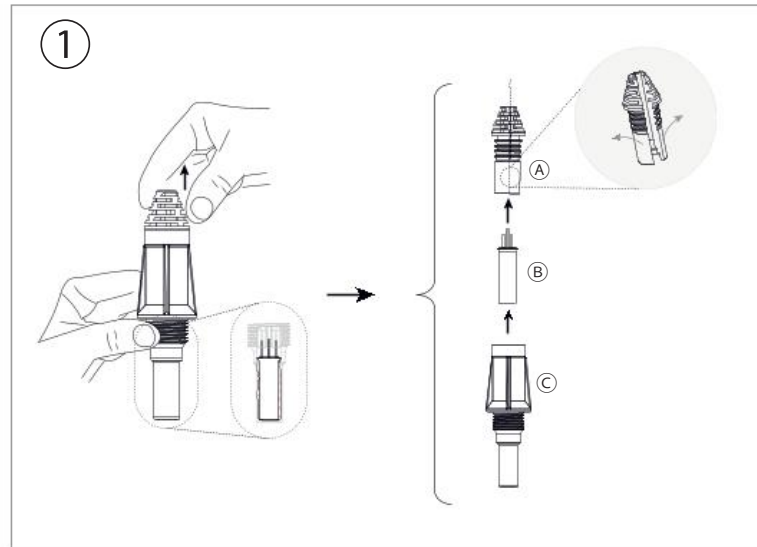
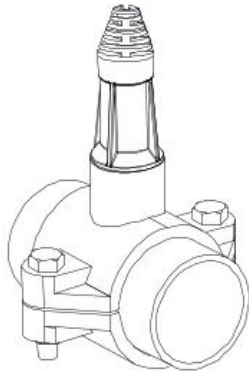


Schemat montażu

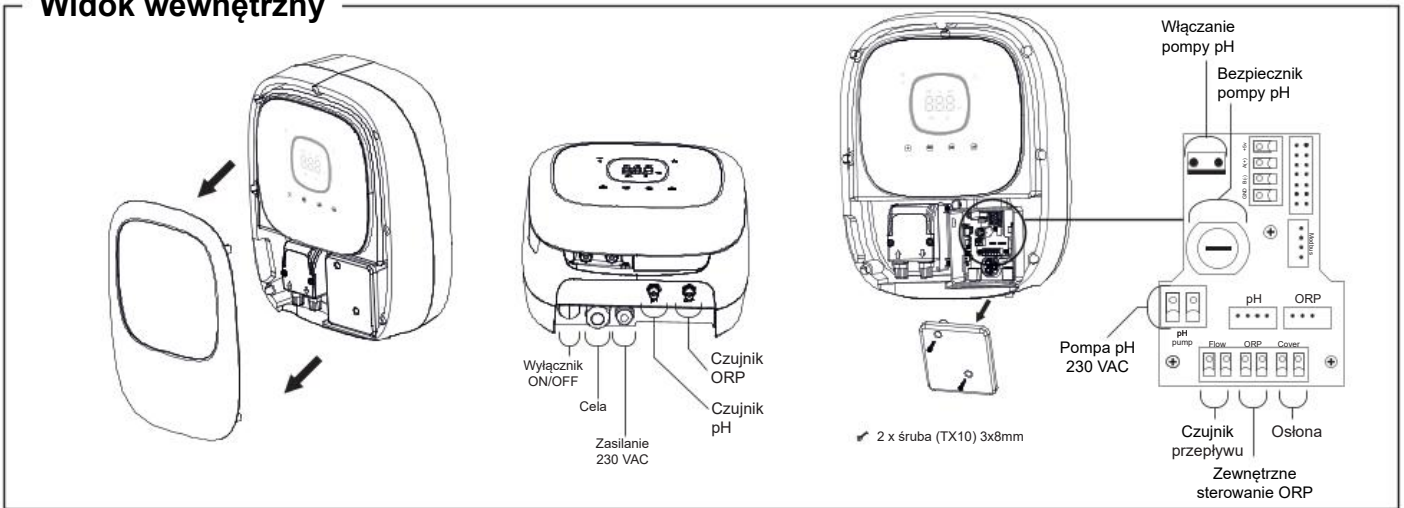


Uwagi: Ten schemat przedstawia instalację modelu Ei2 iQ pH EVO z zainstalowanymi wszystkimi opcjami. Może się on różnić w zależności od zakupionego modelu.

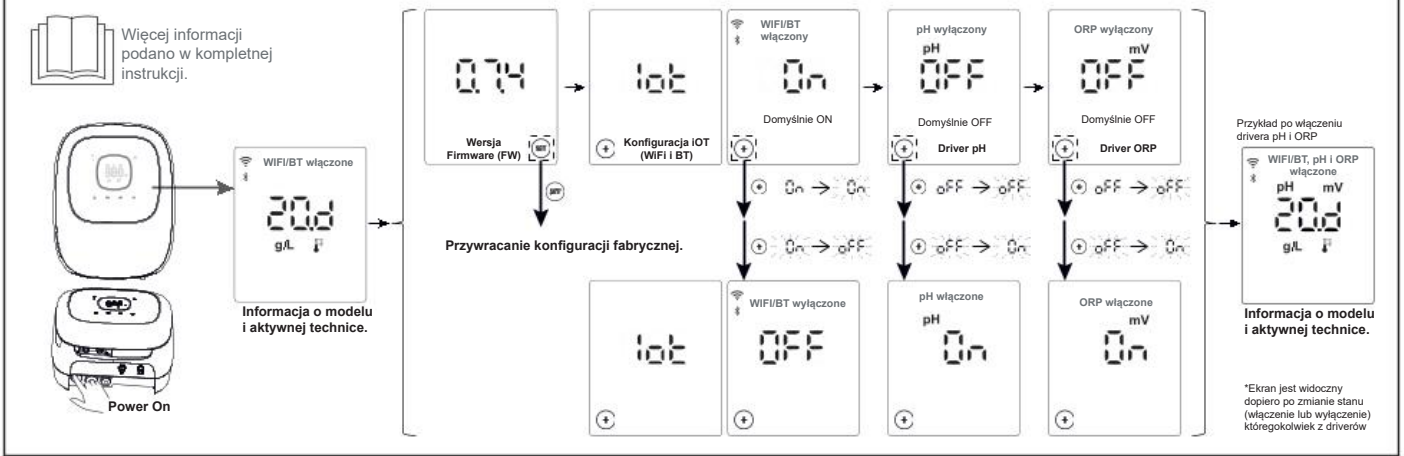
ZESTAW Temperatura: Podzespoły i montaż



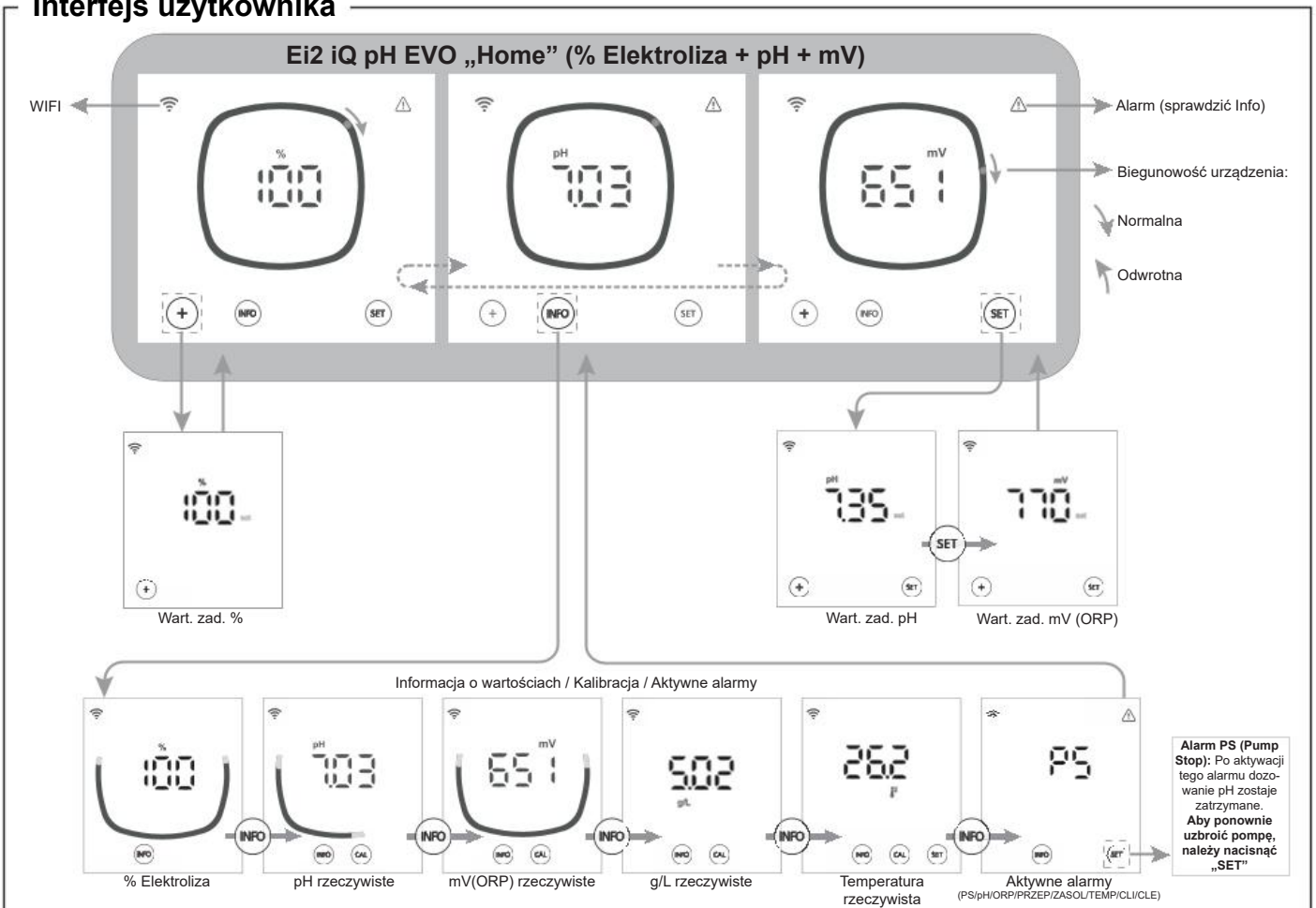
Widok wewnętrzny



Procedura uruchamiania, włączania/wyłączania WIFI oraz driverów pH/ORP



Interfejs użytkownika



Menu konfiguracji



Więcej informacji na temat konfiguracji urządzenia podano w kompletnej instrukcji.

Ei2 iQ pH EVO „Home” (% Elektroliza + pH + mV)

Konfiguracja Alamy

Nacisnąć „INFO” przez 5 sekund, aż na ekranie pojawi się „CFG”.

Wersja firmware urządzenia: 50F

Modele i aktywne elementy techniczne: Model 12/20/25, pH, ORP, on/off, on/off

Inwersja biegunowości: POL, 2h | 3h | 4h | 7h | test

Tryb Boost: 65t, 24h | OFF

Cz. przepływu: FS, On | OFF

Czuj. gazu: FE, On | OFF

Osiłona: COU, OFF | 10...90

Inteligentny pH: pH Int, On | OFF

Stabilizacja początkowego pH: pH In1, OFF | 1 - 2 - 4 min

Pump Stop: pH PS, OFF | 1...120 min

Wewnętrzna kontrola chloru: CL1, On | OFF

Zewnętrzna kontrola chloru: CL2, On | OFF

Alarm temperatura: tEn, OFF, ON: 0-40°C

Alarm gL: GL, OFF, ON: 0,5-9,99°C

Tryb Info: Inf, On | OFF

Biopool: bio, On | OFF

Reset do domyślnej konfiguracji

Godz. elektrolizy
Godz. pompy pH

INFO

Uwagi: Domyślna konfiguracja przedstawiona na ekranach

Podłączenie do Fluidra Pool








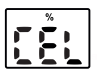

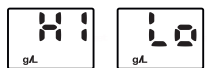
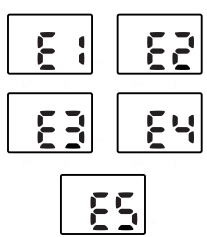
1) Pobrać i zainstalować aplikację FLUIDRA POOL.

2) Utworzyć konto użytkownika i skonfigurować parametry basenu.

3) Włączyć tryb parowania urządzenia („+” i „INFO” jednocześnie przez 5 s).

4) W aplikacji FLUIDRA POO nacisnąć funkcję dodawania urządzenia i postępować zgodnie z instrukcją.

Rozwiązywanie częstych problemów

Komunikat	Rozwiązanie										
Alarm przepływu - Czuj. gazu (FE) - Czujniki przep. (FS) 	Alarm przepływu występuje, gdy cebra nie jest całkowicie zanurzona (czujnik gazu elektrody) lub gdy brak jest przepływu wody (czujnik przepływu). <ul style="list-style-type: none"> Sprawdzić pompę, filtr i zawór płukania. W razie potrzeby wyczyścić. 										
Alarm STOP CL 	Są 3 możliwe przyczyny wystąpienia alarmu STOP CL: CLE = Zatrzymanie przez zewnętrzny sterownik <ul style="list-style-type: none"> Sprawdzić zewnętrzny regulator (ORP/ppm) i sprawdzić odczyt. Jeżeli nie ma zewnętrznego regulatora, wyłączyć funkcję CLE (CLE=off), w przeciwnym razie nie będzie można uruchomić produkcji. CLI = Zatrzymanie przez wartość ClmV lub Clppm w urządzeniu. <ul style="list-style-type: none"> Sprawdzić poziom chloru w basenie fotometrem lub paskiem kontrolnym. W razie potrzeby oczyścić i skalibrować czujnik ORP/ppm 										
ORP(mV) - alarm wysokie 	Alarmy „wysoki” i „niski” pojawiają się, gdy wartość pomiarowa jest poza wartościami bezpieczeństwa. Wartości bezpieczeństwa wysokiego ClmV nie można zmieniać: <table border="1" data-bbox="790 638 1157 750"> <thead> <tr> <th>Tryb</th> <th>Alarm ORP wysokie</th> </tr> </thead> <tbody> <tr> <td>Standard</td> <td>ClmV > 855</td> </tr> <tr> <td>Biopool</td> <td>ClmV > 855</td> </tr> </tbody> </table> <ul style="list-style-type: none"> Sprawdzić poziom chloru w basenie fotometrem lub paskiem kontrolnym. W razie potrzeby oczyścić i skalibrować czujnik ORP. Jeżeli wartość chloru wolnego jest niska, a wartość chloru ogólnego jest wysoka, należy wykonać chlorowanie szokowe (podchlorynem sodu), aby zmniejszyć zawartość chloramin. Jeżeli poziom ppm chloru jest wysoki, a wartość mV jest niska, należy sprawdzić stężenie kwasu cyjanurowego. W przypadku wartości przewyższających 60 ppm spuścić część wody z basenu. Zwiększyć czas filtracji w ciągu dnia. Jeżeli podczas procesu kalibracji istnieje duże odchylenie (± 60 mV w roztworze 470 mV), urządzenie zasygnalizuje błąd odczytu, który można wyrównać poprzez funkcję kalibracji. 	Tryb	Alarm ORP wysokie	Standard	ClmV > 855	Biopool	ClmV > 855				
Tryb	Alarm ORP wysokie										
Standard	ClmV > 855										
Biopool	ClmV > 855										
Alarm pH niskie/wysokie 	Alarmy „wysoki” i „niski” pojawiają się, gdy wartość pomiarowa jest poza wartościami bezpieczeństwa. Tych wartości bezpieczeństwa nie można zmieniać (Jeżeli pojawi się alarm wysokiego pH, pompa pH wyłączy się ze względów bezpieczeństwa.): <table border="1" data-bbox="678 1008 1268 1108"> <thead> <tr> <th>Tryb</th> <th>Alarm pH niskie</th> <th>Alarm pH wysokie</th> </tr> </thead> <tbody> <tr> <td>Standard</td> <td>pH < 6,5</td> <td>pH > 8,5</td> </tr> <tr> <td>Biopool</td> <td>pH < 6,0</td> <td>pH > 9,0</td> </tr> </tbody> </table> <ul style="list-style-type: none"> Sprawdzić odczyn pH w basenie za pomocą fotometru lub paskiem kontrolnym. W razie potrzeby oczyścić i skalibrować czujnik pH. Aby uzyskać więcej informacji na temat konserwacji czujników, patrz rozdziały 6.1 - 6.2 i 8 w instrukcji. pH w basenie należy zmniejszyć ręcznie do 8,45 (tryb standardowy) lub 8,95 (tryb Biopool), aby pompa wznowiła dozowanie. Jeżeli podczas procesu kalibracji istnieje duże odchylenie (± 1 punkt pH), urządzenie zasygnalizuje błąd odczytu, który można wyrównać poprzez funkcję kalibracji. 	Tryb	Alarm pH niskie	Alarm pH wysokie	Standard	pH < 6,5	pH > 8,5	Biopool	pH < 6,0	pH > 9,0	
Tryb	Alarm pH niskie	Alarm pH wysokie									
Standard	pH < 6,5	pH > 8,5									
Biopool	pH < 6,0	pH > 9,0									
Alarm PUMP STOP 	Gdy aktywna jest FUNKCJA PUMP STOP (domyślnie 60 min), system zatrzymuje pompę dozującą po zaprogramowanym czasie, zanim zostanie osiągnięte zadane pH. <ul style="list-style-type: none"> Sprawdzić odczyn pH w basenie za pomocą fotometru lub paskiem kontrolnym. W razie potrzeby oczyścić i skalibrować czujnik pH. Sprawdzić i skorygować zasadowość wody (konsultując się ze specjalistą od basenów). Sprawdzić poziom wody w niecce. 										
Alarm celi 	Alarm celi pojawia się, gdy urządzenia wykryją, że elektroda jest u kresu swojej trwałości (uległa pasywacji). Szacowana trwałość elektrod = 8000 - 10 000 h. <ul style="list-style-type: none"> W razie potrzeby wymienić elektrodę 										
Alarm czujnika TEMPERATURY niska/wysoka 	<ul style="list-style-type: none"> Alarm temperatury pojawia się, gdy wartości temperatury nie mieszczą się między wartościami skonfigurowanymi przez użytkownika. (Domyślnie wyłączony alarm temperatury) Jeżeli temperatura wody jest bardzo niska, urządzenie nie osiąga stuprocentowej wydajności z powodu niskiej przewodności. 										
Alarm g/L niskie/wysokie 	<ul style="list-style-type: none"> Podobnie jak w przypadku alarmu temperatury, alarm ten pojawia się, gdy wartości g/L zasilenia nie mieszczą się między wartościami skonfigurowanymi przez użytkownika. (Domyślnie wyłączony alarm g/L) Zazwyczaj, gdy wartość g/l jest bardzo niska lub bardzo wysoka, ma to wpływ na produkcję chloru w urządzeniu, co jest spowodowane przewodnością wody. 										
Alarmy E1...E5 	<table border="1"> <tr> <td>E1</td> <td>Jeżeli czas kalibracji przekracza 5 min bez ingerencji użytkownika</td> </tr> <tr> <td>E2</td> <td>Jeżeli odchylenie między odczytami podczas procesu kalibracji przekracza dozwolony zakres. (np. usterka czujnika) <ul style="list-style-type: none"> Temperatura: Odchylenie $\pm 20^{\circ}\text{C}$ pH: Odchylenie ± 1 wartości pH ORP: Odchylenie ± 60 mV w roztworze 470 mV </td> </tr> <tr> <td>E3</td> <td>-</td> </tr> <tr> <td>E4</td> <td>Niemożliwość kalibracji T, pH fast i zasolenia (g/L), gdy filtracja jest wyłączona.</td> </tr> <tr> <td>E5</td> <td>Włączone w przypadku niemożliwości kalibracji, gdy: <ul style="list-style-type: none"> Temperatura: Brak NTC. Zasolenie g/L: Produkcja jest niższa od 30%. pH/ORP: Brak drivera lub trwa inicjalizacja systemu. </td> </tr> </table>	E1	Jeżeli czas kalibracji przekracza 5 min bez ingerencji użytkownika	E2	Jeżeli odchylenie między odczytami podczas procesu kalibracji przekracza dozwolony zakres. (np. usterka czujnika) <ul style="list-style-type: none"> Temperatura: Odchylenie $\pm 20^{\circ}\text{C}$ pH: Odchylenie ± 1 wartości pH ORP: Odchylenie ± 60 mV w roztworze 470 mV 	E3	-	E4	Niemożliwość kalibracji T, pH fast i zasolenia (g/L), gdy filtracja jest wyłączona.	E5	Włączone w przypadku niemożliwości kalibracji, gdy: <ul style="list-style-type: none"> Temperatura: Brak NTC. Zasolenie g/L: Produkcja jest niższa od 30%. pH/ORP: Brak drivera lub trwa inicjalizacja systemu.
E1	Jeżeli czas kalibracji przekracza 5 min bez ingerencji użytkownika										
E2	Jeżeli odchylenie między odczytami podczas procesu kalibracji przekracza dozwolony zakres. (np. usterka czujnika) <ul style="list-style-type: none"> Temperatura: Odchylenie $\pm 20^{\circ}\text{C}$ pH: Odchylenie ± 1 wartości pH ORP: Odchylenie ± 60 mV w roztworze 470 mV 										
E3	-										
E4	Niemożliwość kalibracji T, pH fast i zasolenia (g/L), gdy filtracja jest wyłączona.										
E5	Włączone w przypadku niemożliwości kalibracji, gdy: <ul style="list-style-type: none"> Temperatura: Brak NTC. Zasolenie g/L: Produkcja jest niższa od 30%. pH/ORP: Brak drivera lub trwa inicjalizacja systemu. 										



A termékhez mellékelte rövid útmutató csak alapvető információkat tartalmaz a telepítés, karbantartás és üzembe helyezés során végrehajtandó biztonsági intézkedésekre vonatkozóan. A teljes útmutató megtekinthető és PDF fájlként letölthető a következő weboldarról: <https://www.zodiac.com>. A telepítési, elektromos szerelési és karbantartási műveleteket csak olyan szakképzett és felhatalmazott szakember végezheti, aki figyelmesen elolvasta az összes telepítési és szerelési és szervizelési utasítást.



Általános jellemzők

- A sóelektrolízis rendszer telepítését követően egy bizonyos mennyiségű sót kell a vízben feloldani. A sóelektrolízis rendszer két elemből áll: egy elektrolizáló cellából és egy vezérlő egységből. Az elektrolizáló cella bizonyos számú titánlemez (elektródát) tartalmaz, így amikor ezeken elektromos áram vagy sóoldat halad át, szabad klór keletkezik.
- A klórszint fenntartása garantálja a medence vízének egészségügyi minőségét. A sóelektrolízis rendszer akkor termel klórt, ha a medence szűrőrendszere (szivattyú és szűrő) működik.
- A vezérlő egység a rendszer rendellenes üzemelése esetén működésbe lépő több biztonsági berendezéssel valamint egy mikrovezérlővel van felszerelve.
- Asóelektrolízis rendszerek automatikus elektródatisztító rendszerrel rendelkeznek, amely megakadályozza a vízkőlerakódást.

⚠ Biztonsági figyelmeztetések és ajánlások:

- Az összeszerelést és a kezelést megfelelően képzett szakemberek kell elvégeznie.
- A balesetek megelőzésére, valamint az elektromos berendezésekre vonatkozó hatályos előírásokat be kell tartani.
- A telepítés során szem előtt kell tartani, hogy a berendezés elektromos leválasztása érdekében az IEC 60947-1 és IEC 60947-3 szabványoknak megfelelő omnipoláris megszakítást biztosító, a bemeneti kapcsokhoz közvetlenül csatlakoztatott kapcsoló vagy automata kapcsoló beépítésére van szükség, amely minden pólusán érintkezés-leválasztással rendelkezik, ezáltal III. kategóriás túlfeszültség esetén teljes leválasztást biztosít és a létesítmény biztonsági előírásainak megfelelő helyen található. A kapcsolót a berendezés közvetlen közelében, könnyen hozzáférhető helyen kell elhelyezni. Ezt a berendezés leválasztó elemeként is meg kell jelölni.
- A berendezést 30 mA-t (RDC) nem meghaladó maradékáram-készülekről kell táplálni. A berendezést elektromosan földelni kell.
- A berendezésnek meg kell felelnie az IEC / HD 60364-7-702 szabványnak és a medencékre vonatkozó nemzeti szabványoknak.
- A gyártó semmilyen esetben nem vállal felelősséget a berendezés összeszereléséért, telepítéséért vagy üzembe helyezéséért, sem az alkatrészek olyan kezeléséért vagy beépítéséért, amelyet nem a létesítményeiben végeztek el.
- A készüléket csökkent fizikai, érzékszervi vagy mentális képességű, illetve tapasztalattal és tudással nem rendelkező személyek (a gyermekeket is beleértve) nem használhatják, kivéve, ha a megfelelő felügyeletük biztosított, vagy ha a készülék használatára vonatkozóan a biztonságért felelős személytől képzésben részesültek. A gyermekeket felügyelni kell, hogy ne játszanak a készülékkel.
- Ha a tápkábel megsérült, a veszély elkerülése érdekében ezt a gyártónak, a gyártó vevőszolgálatának vagy képzett szakembernek kell kicserélnie.
- A vezérlő egység feszültségét ne módosítsa.
- Ügyeljen arra, hogy biztos elektromos csatlakozásokat hozzon létre, és ezáltal elkerülje az érintkezési hibákat és az ezekből következő túlmelegedést.
- A rendszer bármely alkatrészének beszerelése vagy cseréje előtt győződjön meg arról, hogy azt előzőleg leválasztották az elektromos hálózatról, és nem folyik át rajta víz. Csak eredeti pótalkatrészeket használjon.
- A berendezés hő termel, ezért fontos, hogy megfelelően szellőző helyre telepítsük. A berendezést lehetőleg ne telepítse gyúlékony anyagok közelébe.
- Bár a berendezés rendelkezik bizonyos fokú IP-védettséggel, semmi esetben nem szabad árvíznek kitett területre telepíteni.
- A berendezést úgy a vízellátáshoz való állandó csatlakoztatásra, nem pedig ideiglenes tömlővel való csatlakoztatásra tervezték.
- A készülék rögzítő támasztékkal rendelkezik; lásd az összeszerelési útmutatót.

Üzembe helyezés

1. Ellenőrizze, hogy a szűrő 100%-osan tiszta és a medence vize és a berendezés nem tartalmaz rezet, vasat és algát, valamint hogy a beszerelt fűtőberendezések kompatibilisek a vízben található sóval.
2. Biztosítsa a víz értékei közötti egyensúlyt. Ezáltal alacsonyabb koncentrációjú szabad klórral is hatékonyabb kezelés, hosszabb elektróda-élettartam, valamint kisebb fokú vízkőlerakódás érhető el.
3. A rendszer működési tartománya 3,5-10 g/L, és törekedni kell az ajánlott optimális sószint, 4 g/L fenntartására.
4. A munkafolyamat megkezdése előtt kapcsolja ki a vezérlő egységet, és a só teljes feloldódása érdekében 24 órán keresztül járassa a szűrőszivattyút.
5. Ezután indítsa el a sóelektrolízis rendszert, hogy a szabad klór szintje az ajánlott tartományon belül maradjon (0,5 - 2 ppm).
6. Kompatibilis a MagnaPool-lal, lásd a kézikönyv 2.8. fejezetét.

A medence egyensúlya

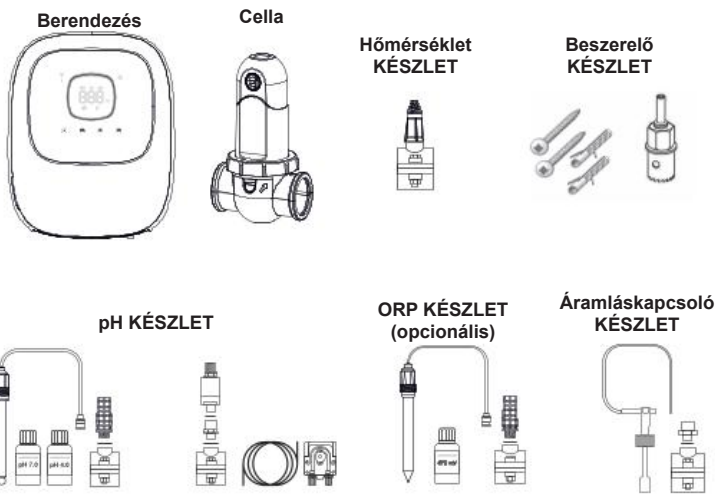
A víz tekintetében tartsa be a következő paramétereket:

- Teljes lúgosság 80 és 150 mg/l (ppm) között
- pH 7,2 és 7,6 között
- Szabad klór 0,5 és 2 mg/l (ppm) között
- Klórstabilizáló 25-30 mg/l (ppm). Erős napfénynek kitett vagy fokozott igénybevételű medencékben a stabilizáló (izocianursav) szintjét 25-30 mg/L értéken célszerű tartani.



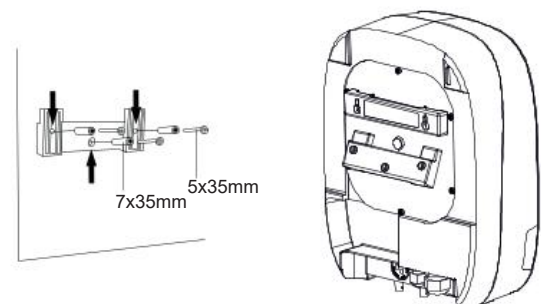
Az alábbi pontokkal kapcsolatos további információkat lásd a teljes útmutatóban:
 - A pH-, ORP, g/l és hőmérséklet-érzékelők telepítése és kalibrálása.
 - Az elektrolizáló cella és a perisztaltikus szivattyúk karbantartása.

Alkatrészek és telepítés



A pH KÉSZLET és az ORP KÉSZLET csak a Ei2 iQ pH EVO modellek esetében kapható.

A berendezés falra szerelése



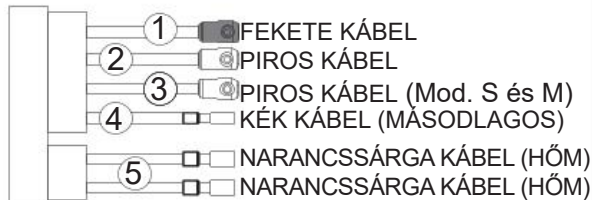
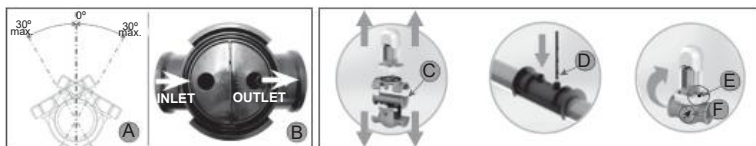
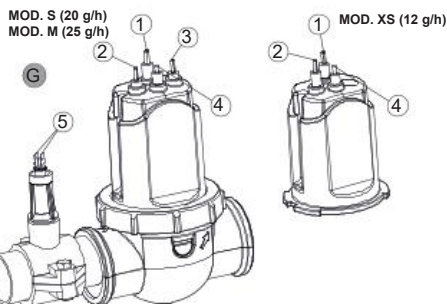
FIGYELEM: A berendezést mindig függőlegesen, merev felületre, száraz és szellőző helyre szerelje fel. A berendezést olyan helyre ajánlott telepíteni, amely nincs kitéve az időjárás viszontagságainak. Kerülje el a korrozív környezet kialakulását.



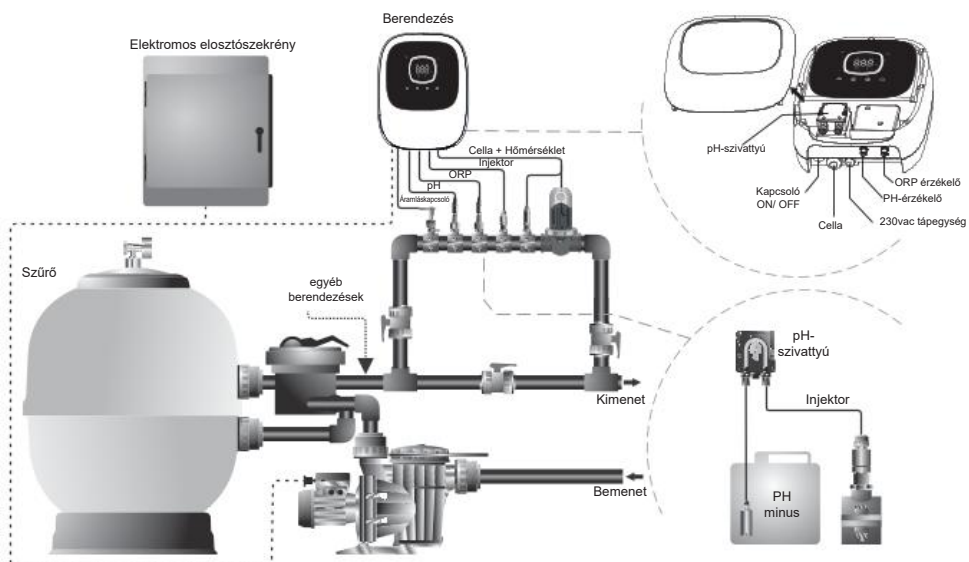
A telepítéssel és kábelezéssel kapcsolatos további információkat lásd a teljes útmutatóban.

Az elektrolizáló cella csatlakoztatása

1. A cellát vízszintes, legfeljebb 30°-os szögű vagy lejtésű csővezetékbe kell beszerelni (A).
2. Vegye figyelembe a víz áramlási irányát. (B)
3. Szerelje szét a cellát. (C)
4. Helyezze az EU csőadaptert (DN50 mm) megfordítva a csővezeték kívánt pontjára (D). Fúrószárral vagy lyukasztóval jelölje meg a csőbe fúrandó lyukak helyét, távolítsa el az adaptert és fúrja ki a lyukakat a mellékelt fúróval.
5. Akassza a cella nyakának alsó és felső részét a csőre a furatok magasságában, a víz irányát figyelembe véve (C).
6. Helyezze be a cella átlátszó felső részét (ld. helyzetjelző), ezután helyezze a szorítógyűrűt a felső nyak menetére úgy, hogy a nyak pontja (E) egy vonalba kerüljön a nyakon lévő nyílal (F), majd kézzel (szerszám nélkül) alaposan húzza meg.
7. A kábel színkódjainak (G) betartásával (piros, fekete és kék csatlakozó(k)) csatlakoztassa a cella hálózati kábelét, majd helyezze fel a védősapkát.

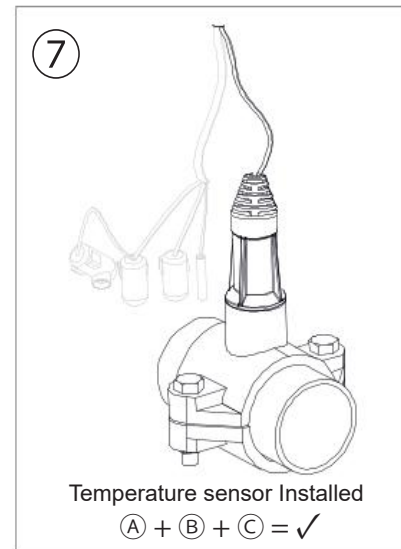
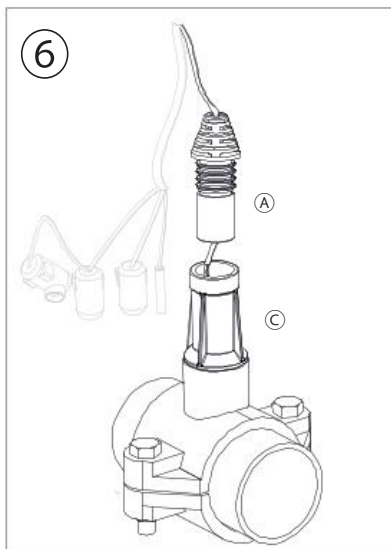
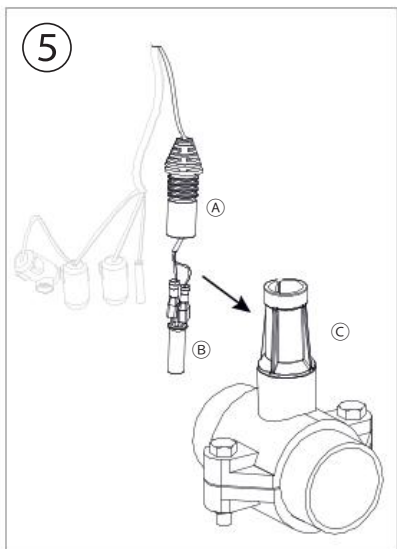
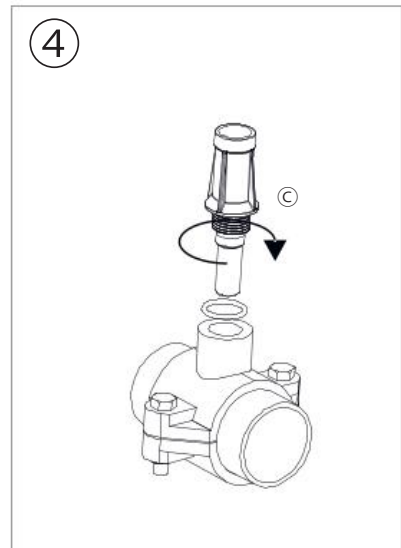
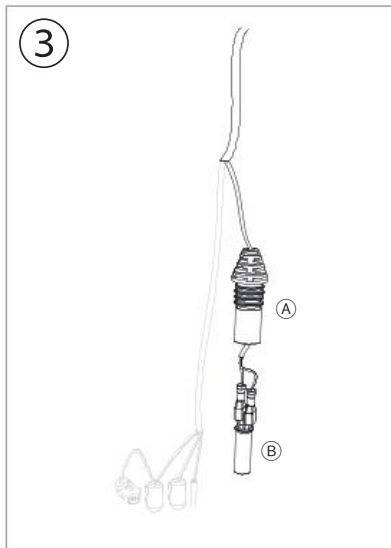
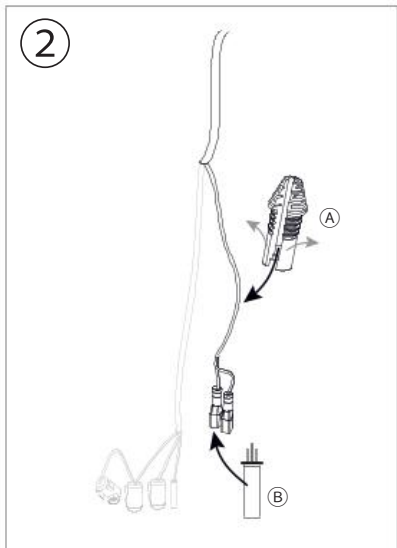
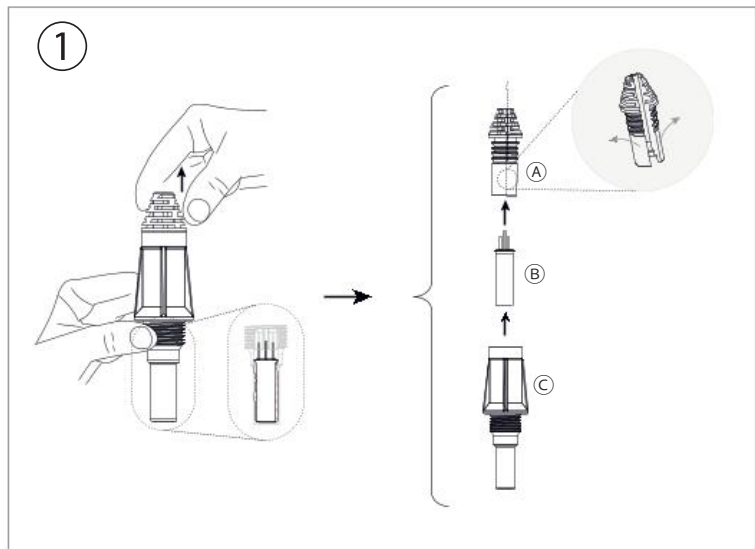
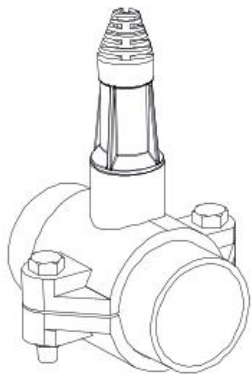


Szerelési ábra

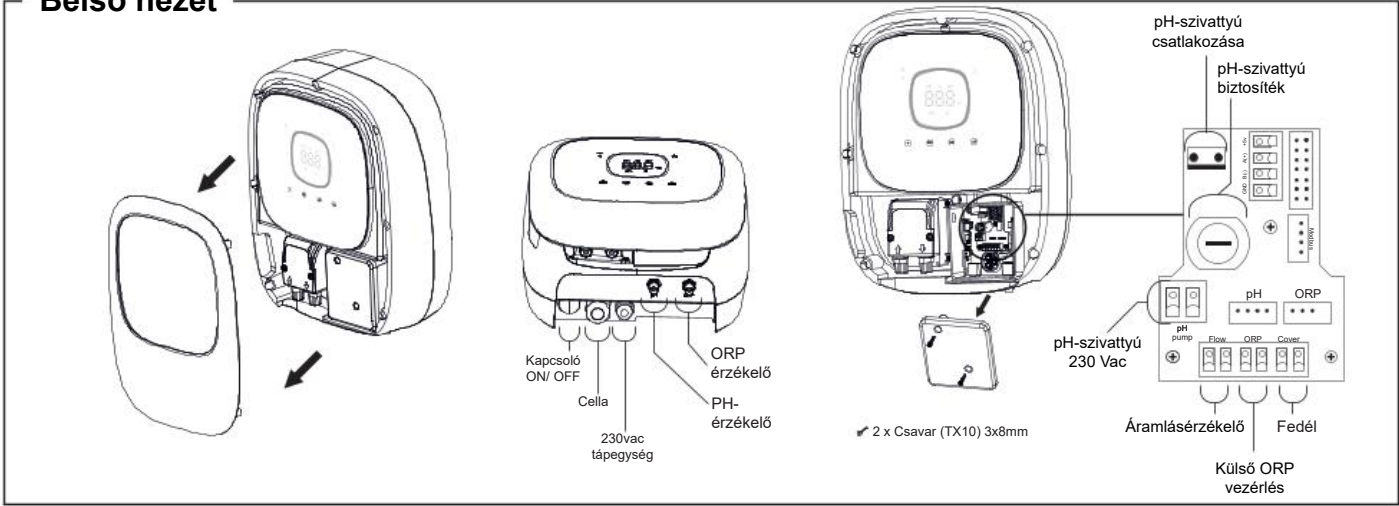


Megjegyzés: Ez az ábra egy minden opcióval felszerelt Ei2 iQ pH EVO modell beszerelését mutatja. A rajz a vásárolt modellel függően változhat.

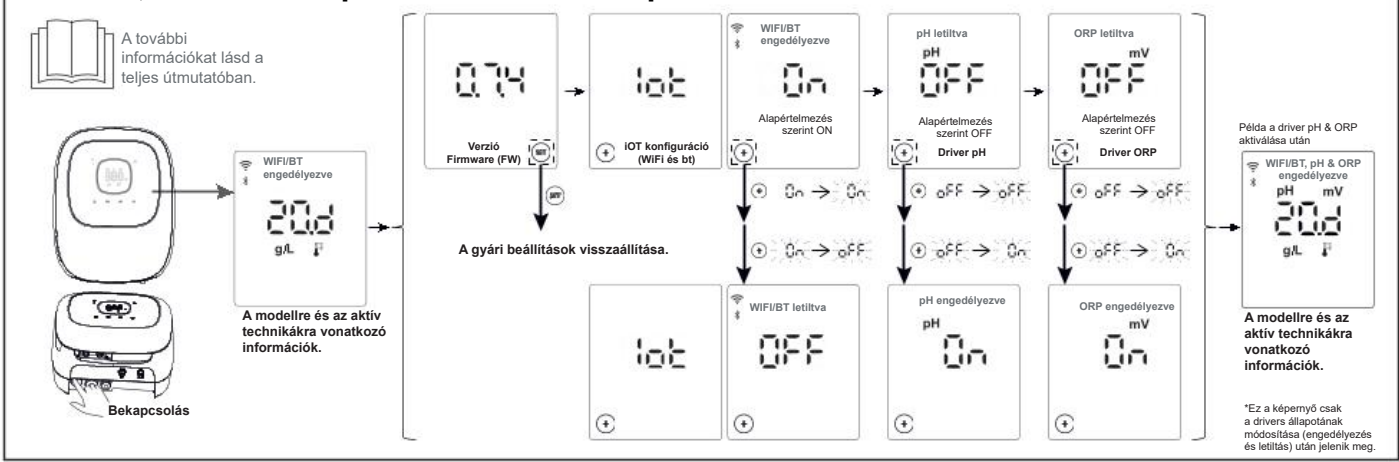
Hőmérséklet KÉSZLET: Alkatrészek és telepítés



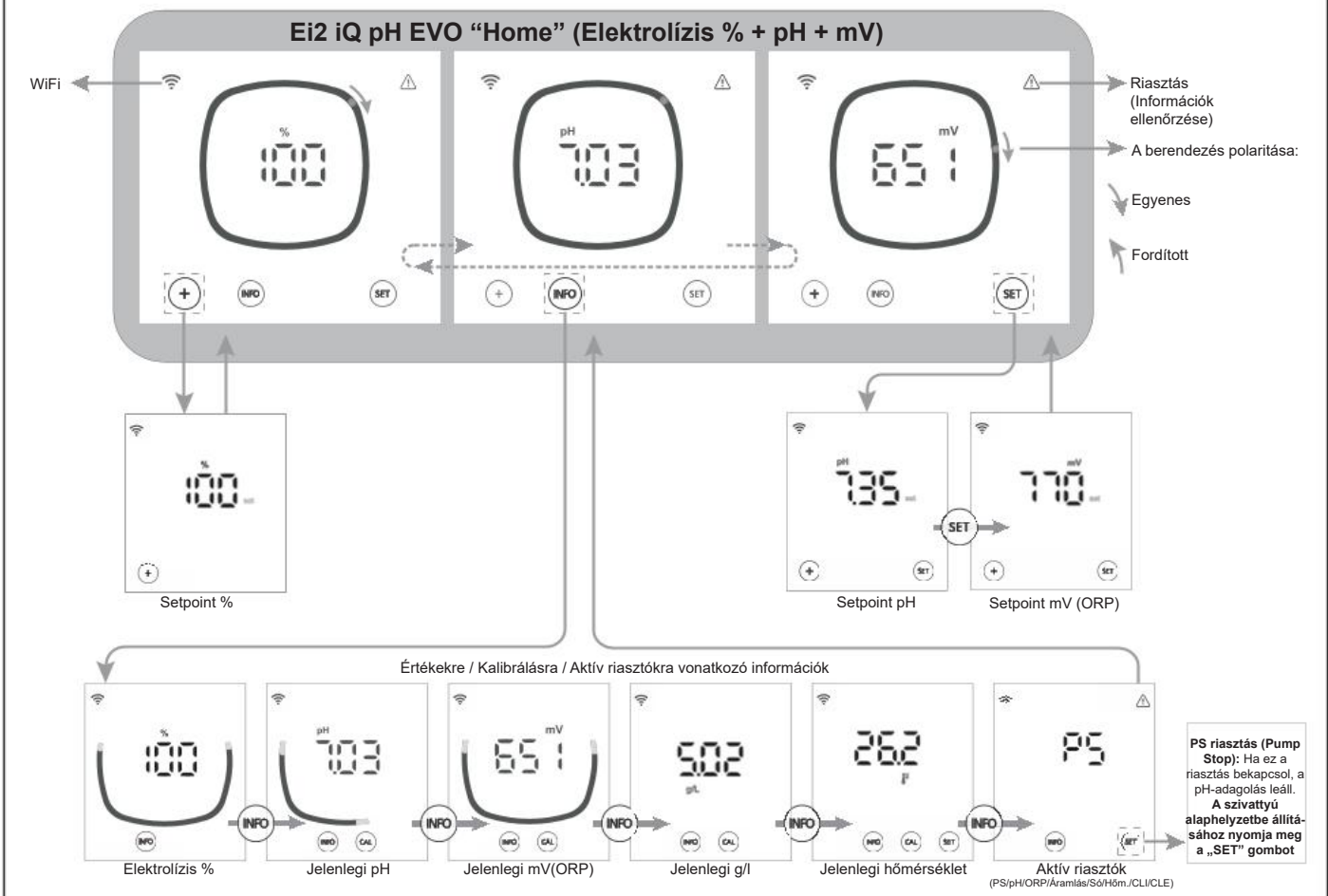
Belső nézet



Indítás, WiFi be/kikapcsolása és drivers pH/ORP



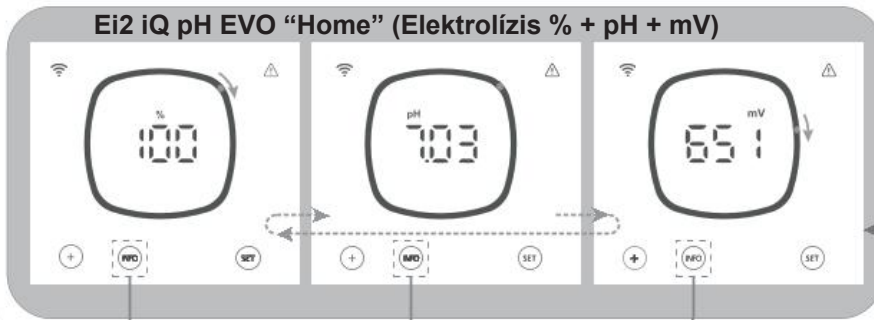
Felhasználói felület



Beállítások menü



A berendezés beállításával kapcsolatos további információkat lásd a teljes útmutatóban.



Beállítások Riasztások



Nyomja meg 5 másodpercig az „INFO” gombot, amíg a képernyőn meg nem jelenik a „CFG” felirat.

A berendezés fw verziója	Modell és aktív technikák	A polaritás felcserélése	Boost Mode	Áramláskapcsoló	Gázérzékelő	Fedél	pH Intelligent
SOF	pH mV g/L i	POL	bst	FS	FE	COU	pH Int
074	pH mV g/L i	2h	OFF	OFF	On	OFF	On
	Modell 12/20/25 pH ORP on/off on/off	+ 2h 3h 4h 7h teszt	+ 24h OFF	+ On OFF	+ On OFF	+ OFF 10...90	+ On OFF

Az alapértelmezett beállítások visszaállítása

Elektrolízis órászáma
pH-szivattyú órászáma

INFO

Kezdeti pH stabilizálása	Pump Stop	Belső klórszabályozás	Külső klórszabályozás	Hőmérséklet riasztás	g/L riasztás	Információs mód	Biopool
pH Int	pH PS	CL1	CL2	tEn	g/L	Inf	bio
2	60	On	OFF	OFF	OFF	OFF	OFF
+ OFF 1-2-4 perc	+ OFF 1...120 perc	+ On OFF	+ On OFF	+ OFF ON: 0-40°C	+ OFF ON: 0,5-9,99°C	+ On OFF	+ On OFF


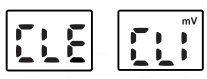
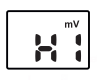
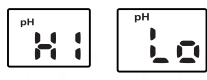

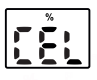
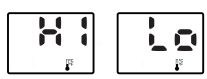
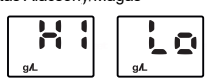
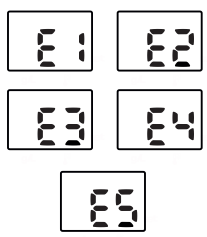
Megjegyzés: A képernyőkön megjelenő alapértelmezett beállítások

Csatlakozás a Fluidra Poolhoz



- 1) Töltse le és telepítse a FLUIDRA POOL alkalmazást.
- 2) Hozzon létre felhasználói fiókot, és konfigurálja a medence paramétereit.
- 3) Aktiválja a párosítási módot a berendezésen ("+" és "INFO" egyszerre 5 másodpercig).
- 4) A FLUIDRA POOL alkalmazásban kattintson a berendezés hozzáadásra opcióra, és kövesse az utasításokat.

Gyalmori problémák megoldása

Üzenet	Megoldás										
<p>Áramlás riasztás - Gázérzékelő (FE) - Áramlásérzékelő (FS)</p> 	<p>Az áramlási riasztás akkor jelenik meg, ha a cella nincs teljesen elárasztva (Elektróda gázérzékelője), vagy ha nincs vízáramlás (Áramlásérzékelő).</p> <ul style="list-style-type: none"> Ellenőrizze a szivattyút, a szűrőt és az öblítőszelepet. Szükség esetén tisztítsa meg. 										
<p>STOP CL riasztás</p> 	<p>A STOP CL riasztás a következő 3 ok egyike miatt jelenhet meg: CLE = Külső vezérlő által leállítva</p> <ul style="list-style-type: none"> Vizsgálja felül a külső szabályozót (ORP/ppm) és ellenőrizze a leolvasást. Szabályozó hiányában kapcsolja ki az CLE (CLE=off); ellenkező esetben a termelés nem indul be. <p>CLI = A berendezésben a ClmV vagy Clppm érték miatt leállítva.</p> <ul style="list-style-type: none"> Fotométerrel vagy tesztsíkkal ellenőrizze a medence klórszintjét. Szükség esetén tisztítsa meg és kalibrálja az ORP/ppm érzékelőt 										
<p>ORP(mV) - Riasztás Magas</p> 	<p>Az alacsony/magas riasztások akkor jelennek meg, ha a mért érték a beállított biztonsági tartományon kívül esik.</p> <p>A magas ClmV biztonsági értékek nem módosíthatók:</p> <table border="1" data-bbox="790 638 1157 750"> <tr> <td>Mode</td> <td>ORP riasztás Magas</td> </tr> <tr> <td>Standard</td> <td>ClmV > 855</td> </tr> <tr> <td>Biopool</td> <td>ClmV > 855</td> </tr> </table> <ul style="list-style-type: none"> Fotométerrel vagy tesztsíkkal ellenőrizze a medence klórszintjét. Szükség esetén tisztítsa meg és kalibrálja az ORP érzékelőt. Ha a szabad klór érték alacsony, az összes klór érték azonban magas, a klóraminok csökkentése érdekében végezzen sokk-klórozást (használgjon nátrium-hipokloritot). Magas klór ppm és alacsony mV érték esetén ellenőrizze a cianursav koncentrációját. Ha 60 ppm-nél nagyobb értékeket kap, részben engedje le a medencét. Növelje a napi átszűrést. Ha a kalibrálás során az eltérés nagy (± 60 mV a 470 mV-os oldatban), a berendezés a mérés során hibát jelez, ami az érzékelő vagy a kalibráló oldat károsodásából eredhet. 	Mode	ORP riasztás Magas	Standard	ClmV > 855	Biopool	ClmV > 855				
Mode	ORP riasztás Magas										
Standard	ClmV > 855										
Biopool	ClmV > 855										
<p>PH riasztás Alacsony/Magas</p> 	<p>Az alacsony/magas riasztások akkor jelennek meg, ha a mért érték a beállított biztonsági tartományon kívül esik.</p> <p>Ezek a biztonsági értékek nem módosíthatók (A magas pH-érték riasztás megjelenése esetén a pH szivattyú biztonsági okokból leáll):</p> <table border="1" data-bbox="678 1008 1268 1120"> <tr> <td>Mode</td> <td>pH riasztás Alacsony</td> <td>pH riasztás Magas</td> </tr> <tr> <td>Standard</td> <td>pH < 6,5</td> <td>pH > 8,5</td> </tr> <tr> <td>Biopool</td> <td>pH < 6,0</td> <td>pH > 9,0</td> </tr> </table> <ul style="list-style-type: none"> Fotométerrel vagy tesztsíkkal ellenőrizze a medence pH értékét. Szükség esetén tisztítsa meg és kalibrálja a pH-érzékelőt. Az érzékelők karbantartására vonatkozó további információkat lásd az útmutató 6.1 - 6.2 és 8. szakaszában. A medence pH-értékét manuálisan 8,45-re (normál üzemmód) vagy 8,95-re (biopool üzemmód) kell csökkenteni, hogy a szivattyú ismét adagolni tudjon. A kalibrálás során az eltérés nagy (± 1 pH egység), a berendezés a mérés során hibát jelez, ami az érzékelő vagy a kalibráló oldat károsodásából eredhet. 	Mode	pH riasztás Alacsony	pH riasztás Magas	Standard	pH < 6,5	pH > 8,5	Biopool	pH < 6,0	pH > 9,0	
Mode	pH riasztás Alacsony	pH riasztás Magas									
Standard	pH < 6,5	pH > 8,5									
Biopool	pH < 6,0	pH > 9,0									
<p>PUMP-STOP riasztás</p> 	<p>HA a PUMP-STOP FUNKCIÓ aktiválva van (alapértelmezett idő: 60 perc), a rendszer a beprogramozott idő elteltével a beállított pH-érték elérése nélkül is leállítja az adagoló szivattyút.</p> <ul style="list-style-type: none"> Fotométerrel vagy tesztsíkkal ellenőrizze a medence pH-értékét. Szükség esetén tisztítsa meg és kalibrálja a pH-érzékelőt. Ellenőrizze és korrigálja a víz lúgosságát (konzultáljon medencetechnikai szakemberrel). Ellenőrizze a palack savszintjét. 										
<p>Cella riasztás</p> 	<p>A cella riasztás akkor jelenik meg, ha a készülékek azt észlelik, hogy az elektróda a hasznos élettartama végéhez közeledik (passzívált). Az elektródák becsült hasznos élettartama = 8.000 - 10.000 h</p> <ul style="list-style-type: none"> Szükség esetén cserélje ki az elektródát 										
<p>HŐMÉRSÉKLET-érzékelő riasztás Alacsony/Magas</p> 	<ul style="list-style-type: none"> A hőmérséklet riasztás akkor jelenik meg, ha a hőmérsékleti értékek a felhasználó által beállított tartományon kívül esnek. (A hőmérséklet riasztás alapértelmezés szerint le lett tiltva) Nagyon magas vízhőmérséklet esetén a berendezés az alacsony vezetőképesség miatt nem éri el a 100%-os termelést. 										
<p>g/l riasztás Alacsony/Magas</p> 	<ul style="list-style-type: none"> A hőmérséklet riasztáshoz hasonlóan ez a riasztás akkor jelenik meg, ha a só g/l értékei a felhasználó által beállított tartományon kívül esnek. (A g/L riasztás alapértelmezés szerint le lett tiltva) Általánosságban elmondható, hogy a nagyon alacsony vagy magas g/L érték a víz vezetőképességéből adódóan befolyásolja a készülék termelését. 										
<p>E1...E5 riasztások</p> 	<table border="1"> <tr> <td>E1</td> <td>Ha a kalibrálás ideje felhasználói beavatkozás nélkül meghaladja az 5 percet.</td> </tr> <tr> <td>E2</td> <td>Ha a kalibrálás során a leolvasások közötti eltérés a megengedett tartománynál nagyobb. (pl. meghibásodott érzékelő) • Hőmérséklet: $\pm 20^{\circ}\text{C}$ eltérés • pH: ± 1 pH egységnyi eltérés • ORP: ± 60 mV a 470 mV-os oldatban</td> </tr> <tr> <td>E3</td> <td>-</td> </tr> <tr> <td>E4</td> <td>Ha a szűrés ki van kapcsolva, a T, a pH fast és a sótartalom (g/l) nem kalibrálható</td> </tr> <tr> <td>E5</td> <td>Ha a kalibrálás nem elvégezhető, akkor aktiválódik, ha: • Hőmérséklet: Nincs NTC. • Sótartalom g/l: A termelés 30%-nál alacsonyabb. • pH/ORP: Nincs driver, vagy a rendszer inicializálás alatt van.</td> </tr> </table>	E1	Ha a kalibrálás ideje felhasználói beavatkozás nélkül meghaladja az 5 percet.	E2	Ha a kalibrálás során a leolvasások közötti eltérés a megengedett tartománynál nagyobb. (pl. meghibásodott érzékelő) • Hőmérséklet: $\pm 20^{\circ}\text{C}$ eltérés • pH: ± 1 pH egységnyi eltérés • ORP: ± 60 mV a 470 mV-os oldatban	E3	-	E4	Ha a szűrés ki van kapcsolva, a T, a pH fast és a sótartalom (g/l) nem kalibrálható	E5	Ha a kalibrálás nem elvégezhető, akkor aktiválódik, ha: • Hőmérséklet: Nincs NTC. • Sótartalom g/l: A termelés 30%-nál alacsonyabb. • pH/ORP: Nincs driver, vagy a rendszer inicializálás alatt van.
E1	Ha a kalibrálás ideje felhasználói beavatkozás nélkül meghaladja az 5 percet.										
E2	Ha a kalibrálás során a leolvasások közötti eltérés a megengedett tartománynál nagyobb. (pl. meghibásodott érzékelő) • Hőmérséklet: $\pm 20^{\circ}\text{C}$ eltérés • pH: ± 1 pH egységnyi eltérés • ORP: ± 60 mV a 470 mV-os oldatban										
E3	-										
E4	Ha a szűrés ki van kapcsolva, a T, a pH fast és a sótartalom (g/l) nem kalibrálható										
E5	Ha a kalibrálás nem elvégezhető, akkor aktiválódik, ha: • Hőmérséklet: Nincs NTC. • Sótartalom g/l: A termelés 30%-nál alacsonyabb. • pH/ORP: Nincs driver, vagy a rendszer inicializálás alatt van.										



ΠΡΟΕΙΔΟΠΟΙΗΣΗ

Το σύντομο εγχειρίδιο που συνοδεύει αυτό το προϊόν περιέχει μόνο βασικές πληροφορίες σχετικά με τα μέτρα ασφαλείας που πρέπει να εφαρμόζονται κατά την εγκατάσταση, τη συντήρηση και την εκκίνηση.

Μπορείτε να συμβουλευτείτε το πλήρες εγχειρίδιο και να το κατεβάσετε ως αρχείο PDF στον ακόλουθο ιστότοπο: <https://www.zodiac.com>. Όλες οι εργασίες συναρμολόγησης, ηλεκτρικής εγκατάστασης και συντήρησης πρέπει να εκτελούνται από εξειδικευμένο και εξουσιοδοτημένο προσωπικό που έχει διαβάσει προσεκτικά όλες τις οδηγίες εγκατάστασης και σέρβις.



Γενικά χαρακτηριστικά:

- Μετά την εγκατάσταση του συστήματος Ηλεκτρόλυσης Άλατος πρέπει να διαλύσετε μία ποσότητα άλατος στο νερό. Το σύστημα ηλεκτρόλυσης άλατος αποτελείται από δύο στοιχεία: ένα κελί ηλεκτρόλυσης και μία μονάδα ελέγχου. Το κελί ηλεκτρόλυσης περιέχει έναν συγκεκριμένο αριθμό από πλάκες τιτανίου (ηλεκτρόδια) ώστε κάθε φορά που κυκλοφορεί μέσω αυτών ένα ηλεκτρικό ρεύμα και το διάλυμα άλατος περνά διαμέσου, να παράγεται ελεύθερο χλώριο.
- Η διατήρηση ενός καθορισμένου επιπέδου χλωρίου στο νερό της πισίνας εγγυάται την υγιεινομική της ποιότητα. Το σύστημα Ηλεκτρόλυσης Άλατος παρασκευάζει χλώριο όταν το σύστημα φιλτραρίσματος της πισίνας (αντλία και φίλτρο) βρίσκεται σε λειτουργία.
- Η μονάδα ελέγχου διαθέτει διάφορους μηχανισμούς ασφαλείας, οι οποίοι ενεργοποιούνται σε περίπτωση μη ομαλής λειτουργίας του συστήματος, καθώς και έναν μικροελεγκτή ελέγχου.
- Τα συστήματα Ηλεκτρόλυσης Άλατος διαθέτουν ένα αυτόματο σύστημα καθαρισμού των ηλεκτροδίων που εμποδίζει τον σχηματισμό επικαθίσεων πάνω τους.

Προειδοποιήσεις ασφαλείας και συστάσεις:

- Η συναρμολόγηση και μεταχείριση πρέπει να πραγματοποιούνται από κατάλληλα ειδικευμένο προσωπικό.
- Πρέπει να τηρούνται οι ισχύοντες κανόνες για την πρόληψη ατυχημάτων, καθώς και αυτοί που αφορούν τις ηλεκτρικές εγκαταστάσεις.
- Στην εγκατάσταση είναι απαραίτητο, προκειμένου να γίνει ηλεκτρική αποσύνδεση της συσκευής, να ενσωματωθεί διακόπτης απόζευξης ή αυτόματος διακόπτης απόζευξης που να συμμορφώνεται με τα πρότυπα IEC 60947-1 και IEC 60947-3 που να διασφαλίζει πολυπολική διακοπή, συνδεδεμένος απευθείας στους ακροδέκτες τροφοδοσίας και που να διαθέτει απόσταση επαφής σε όλους τους πόλους του, που να παρέχει πλήρη αποσύνδεση υπό συνθήκες υπέρτασης κατηγορίας III, σε περιοχή που να πληροί τις απαιτήσεις ασφαλείας για την τοποθεσία. Ο διακόπτης πρέπει να βρίσκεται σε άμεση γειτνίαση με τον εξοπλισμό και να είναι εύκολα προσβάσιμος. Επιπλέον, αυτό πρέπει να επισημαίνεται ως στοιχείο αποσύνδεσης εξοπλισμού.
- Ο εξοπλισμός πρέπει να τροφοδοτείται από συσκευή υπολειπόμενου ρεύματος, που να μην υπερβαίνει τα 30mA (RCD). Ο εξοπλισμός πρέπει να διαθέτει γείωση.
- Η εγκατάσταση πρέπει να συμμορφώνεται με το διεθνές πρότυπο IEC / HD 60364-7-702 και τα τοπικά πρότυπα που ισχύουν για τις πισίνες.
- Ο κατασκευαστής δεν αναλαμβάνει σε καμία περίπτωση την ευθύνη για τη συναρμολόγηση, εγκατάσταση ή θέση σε λειτουργία, καθώς και για οποιαδήποτε επεξεργασία ή ενσωμάτωση στοιχείων που δεν πραγματοποιούνται στις εγκαταστάσεις του.
- Αυτή η συσκευή δεν προορίζεται για χρήση από άτομα (συμπεριλαμβανομένων των παιδιών) με μειωμένες σωματικές, αισθητηριακές ή διανοητικές ικανότητες, ή με έλλειψη εμπειρίας ή γνώσης, χωρίς να επιτηρούνται ή να καθοδηγούνται όσον αφορά τη χρήση της συσκευής από ένα άτομο που να είναι υπεύθυνο για την ασφάλειά τους. Τα παιδιά πρέπει να επιτηρούνται προκειμένου να διασφαλίζεται ότι δεν παίζουν με τη συσκευή.
- Αν το καλώδιο τροφοδοσίας έχει υποστεί φθορά, πρέπει να αντικατασταθεί από τον κατασκευαστή, από την υπηρεσία του παροχής υπηρεσιών μετά την πώληση ή από παρόμοιο ειδικευμένο προσωπικό ώστε να αποφευχθεί ενδεχόμενος κίνδυνος.
- Μην επιχειρήσετε να αλλάξετε τη μονάδα ελέγχου ώστε να λειτουργεί σε άλλη τάση.
- Φροντίστε να πραγματοποιήσετε σταθερές ηλεκτρικές συνδέσεις για να αποφευχθούν ενδεχόμενες κακές επαφές που μπορεί να προκαλέσουν την υπερθέρμανσή τους.
- Πριν την εγκατάσταση ή την αντικατάσταση οποιουδήποτε εξαρτήματος, πρέπει να βεβαιώνετε πρώτα ότι το εν λόγω εξάρτημα έχει αποσυνδεθεί από την τάση τροφοδοσίας και ότι δεν υπάρχει ροή νερού. Χρησιμοποιείτε μόνο γνήσια ανταλλακτικά.
- Επειδή ο εξοπλισμός παράγει θερμότητα, είναι σημαντικό να τον εγκαταστήσετε σε επαρκώς αεριζόμενο χώρο. Φροντίστε να μην τον εγκαταστήσετε κοντά σε εύφλεκτα υλικά.
- Αν και ο εξοπλισμός έχει ένα βαθμό προστασίας IP. Σε καμία περίπτωση δεν πρέπει να εγκαθίσταται σε περιοχές ευάλωτες σε πλημμύρες.
- Αυτός ο εξοπλισμός προορίζεται να συνδεθεί μόνιμα στην παροχή νερού και δεν θα συνδεθεί με προσωρινό σωλήνα.
- Αυτή η συσκευή διαθέτει υποστήριξη για τη στερέωσή της, δείτε τις οδηγίες συναρμολόγησης.

Θέση σε λειτουργία

1. Βεβαιωθείτε ότι το φίλτρο είναι 100% καθαρό και ότι το νερό της πισίνας και η εγκατάσταση δεν περιέχουν χαλκό, σίδηρο και φύκη, καθώς επίσης και ότι οποιοδήποτε εγκατεστημένο σύστημα θέρμανσης είναι συμβατό με την παρουσία του άλατος στο νερό.
2. Εξισορροπήστε το νερό της πισίνας. Αυτό θα επιτρέψει να επιτευχθεί μια πιο αποτελεσματική επεξεργασία με μικρότερη συγκέντρωση ελεύθερου χλωρίου στο νερό, καθώς και μια παρατεταμένη λειτουργία των ηλεκτροδίων σε συνδυασμό με λιγότερο σχηματισμό ασβεστούχων ιζημάτων στην πισίνα.
3. Το σύστημα έχει εύρος λειτουργίας 3,5-10 g/L, και πρέπει να καταβληθεί προσπάθεια για τη διατήρηση του συνιστώμενου βέλτιστου επιπέδου αλατιού των 4 g/L.
4. Πριν την έναρξη του κύκλου εργασίας, αποσυνδέστε τη μονάδα ελέγχου και θέστε σε λειτουργία την αντλία φιλτραρίσματος για 24 ώρες ώστε να εξασφαλιστεί η πλήρης διάλυση του άλατος.
5. Στη συνέχεια, θέστε σε λειτουργία το σύστημα ηλεκτρόλυσης άλατος ρυθμίζοντάς το με τρόπο που τα επίπεδα ελεύθερου χλωρίου να διατηρούνται εντός των συνιστώμενων ορίων (0.5 - 2 ppm).
6. Συμβατό με το MagnaPool, δείτε το κεφάλαιο 2.8 του εγχειριδίου.

Ισορροπία πισίνας

Διατηρήστε τις ακόλουθες παραμέτρους νερού:

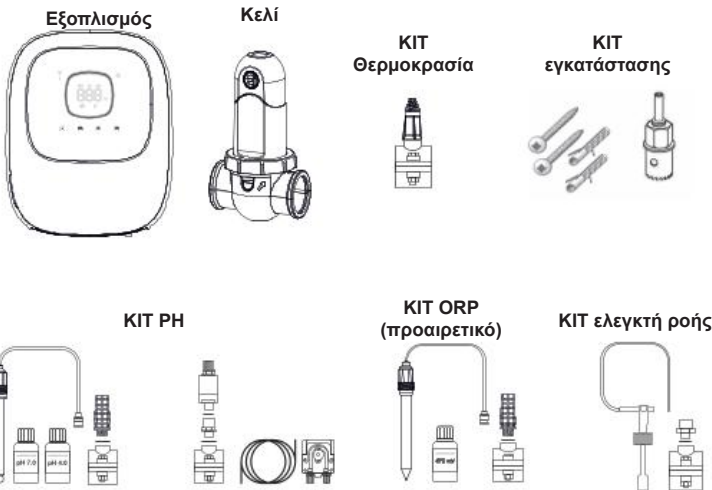
- Ολική αλκαλικότητα μεταξύ 80 και 150 mg/L (ppm)
- pH μεταξύ 7,2 και 7,6
- Ελεύθερο χλώριο μεταξύ 0,5 και 2 mg/L (ppm)



Δείτε το πλήρες εγχειρίδιο για περισσότερες πληροφορίες σχετικά με:
 - Εγκατάσταση και βαθμονόμηση αισθητήρων pH, ORP, ppm, g/L και θερμοκρασίας.
 - Συντήρηση του κελιού ηλεκτρόλυσης και των περιστατικών αντλιών.

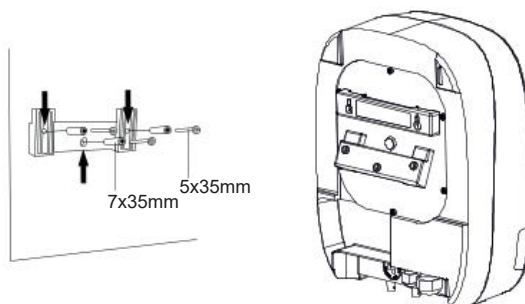
- Σταθεροποιητής χλωρίου 25-30 mg/L (ppm). Σε πισίνες με έντονη έκθεση στην ηλιακή ακτινοβολία ή υπερβολική χρήση, συνιστάται να διατηρείται ένα επίπεδο 25 - 30 mg/L σταθεροποιητικού (ισοκυανουρικό οξύ).

Εξαρτήματα και εγκατάσταση



Τα ΚΙΤ ΡΗ και ΚΙΤ ORP είναι διαθέσιμα μόνο για Εi2 iQ ΡΗ ΕVO μοντέλα.

Εγκατάσταση επιτοίχιου εξοπλισμού



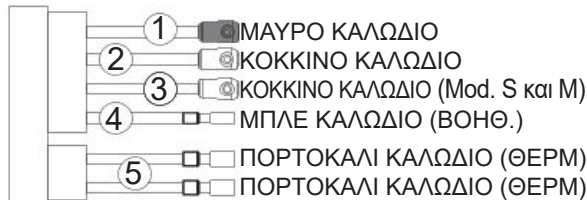
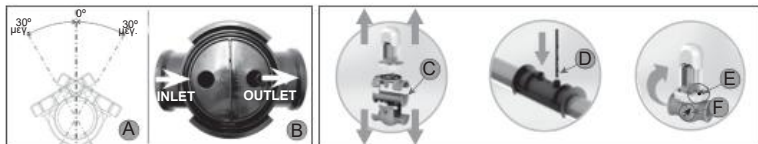
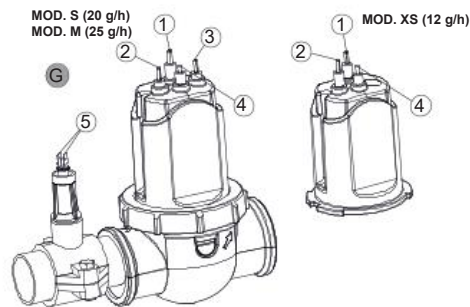
ΠΡΟΣΟΧΗ: Τοποθετείτε το πάντα κάθετα σε άκαμπτη επιφάνεια και σε στεγνό και αεριζόμενο μέρος. Συνιστάται η εγκατάσταση του εξοπλισμού σε μέρη που δεν είναι εκτεθειμένα σε κακοκαιρία. Αποφύγετε το σχηματισμό διαβρωτικών περιβαλλόντων.



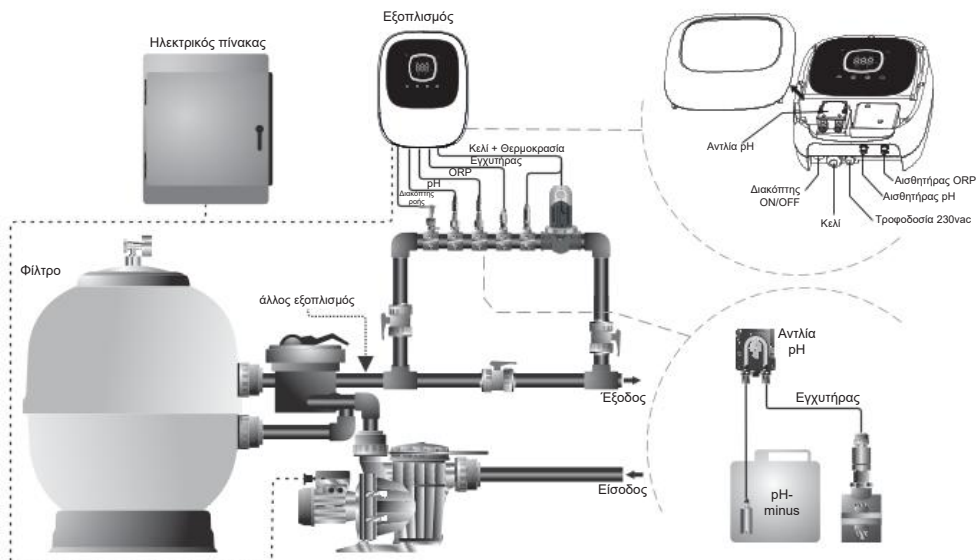
Δείτε το πλήρες εγχειρίδιο για περισσότερες πληροφορίες σχετικά με την εγκατάσταση και την καλωδίωση.

Σύνδεση του κελιού ηλεκτρόλυσης

1. Το κελί πρέπει να εγκατασταθεί σε οριζόντιο σωλήνα για να διασφαλιστεί ότι η ροή του νερού που διέρχεται από αυτό, με γωνία ή κλίση που δεν υπερβαίνει τις 30° (A)
2. Σεβαστείτε την κατεύθυνση ροής του νερού. (B)
3. Αποσυναρμολογήστε το κελί. (C)
4. Τοποθετήστε τον προσαρμογέα σωλήνα ΕΕ (DN50 mm) ανάποδα στην επιθυμητή θέση στο σωλήνα (D). Χρησιμοποιώντας ένα τρυπάνι ή ένα τρυπάνι, σημειώστε τη θέση των οπών που θα ανοίξετε στο σωλήνα, αφαιρέστε τον προσαρμογέα και ανοίξτε τις τρύπες χρησιμοποιώντας το παρεχόμενο τρυπάνι.
5. Συνδέστε το κάτω και το πάνω μέρος του γιακά της κυψέλης στο σωλήνα στο ύψος των οπών, σεβόμενοι την κατεύθυνση του νερού (C).
6. Τοποθετήστε το διαφανές πάνω μέρος του κελιού (παρουσία ένδειξης θέσης), τοποθετήστε το δακτύλιο σύσφιξης στο νήμα του επάνω περιλαίμιου ευθυγραμμίζοντας το σημείο (E) του περιλαίμιου με το βέλος στο περιλαίμιο (F) και μετά σφίξτε το καλά με το χέρι. (χωρίς χρήση εργαλείων)
7. Συνδέστε το καλώδιο τροφοδοσίας της κυψέλης πηλώντας τους χρωματικούς κωδικούς του καλωδίου (G) (κόκκινο, μαύρο και μπλε βύσμα(-ατα)) και, στη συνέχεια, τοποθετήστε το προστατευτικό καπάκι.

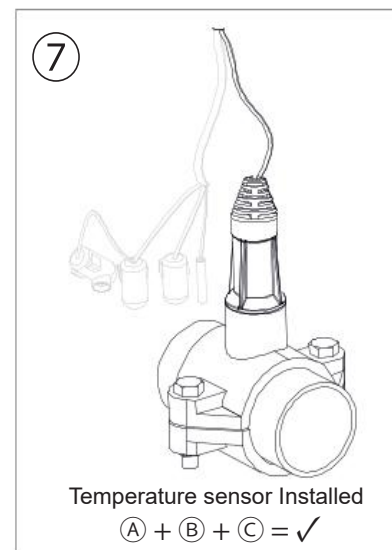
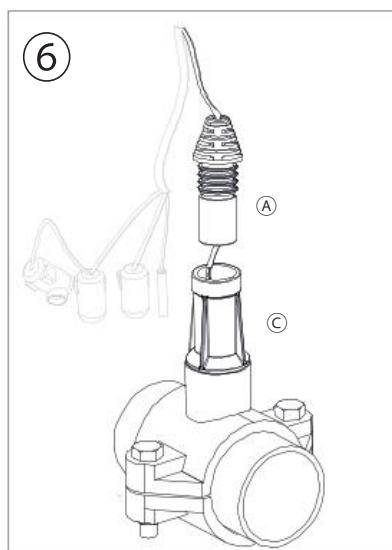
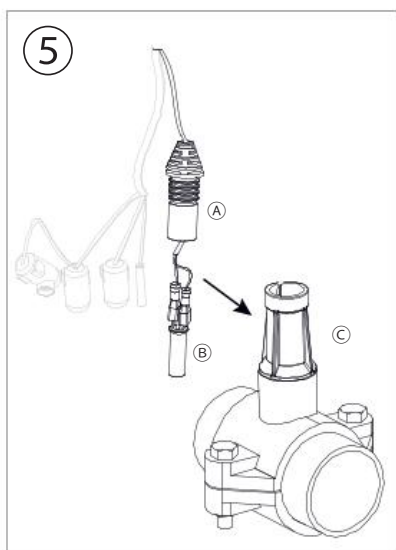
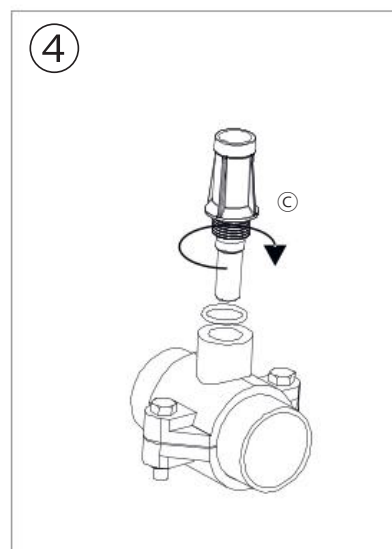
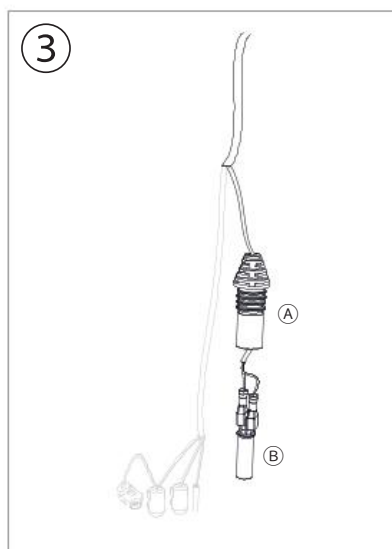
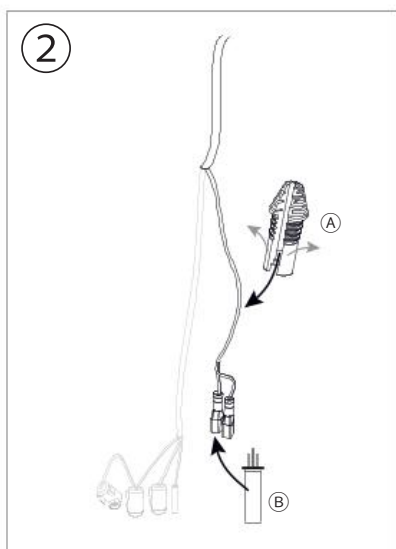
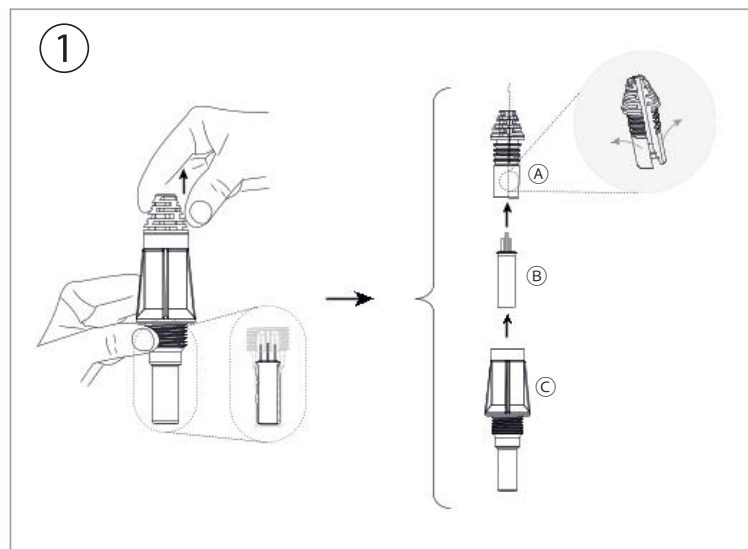
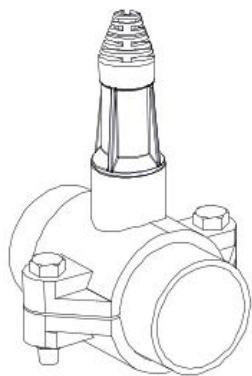


Διάγραμμα εγκατάστασης

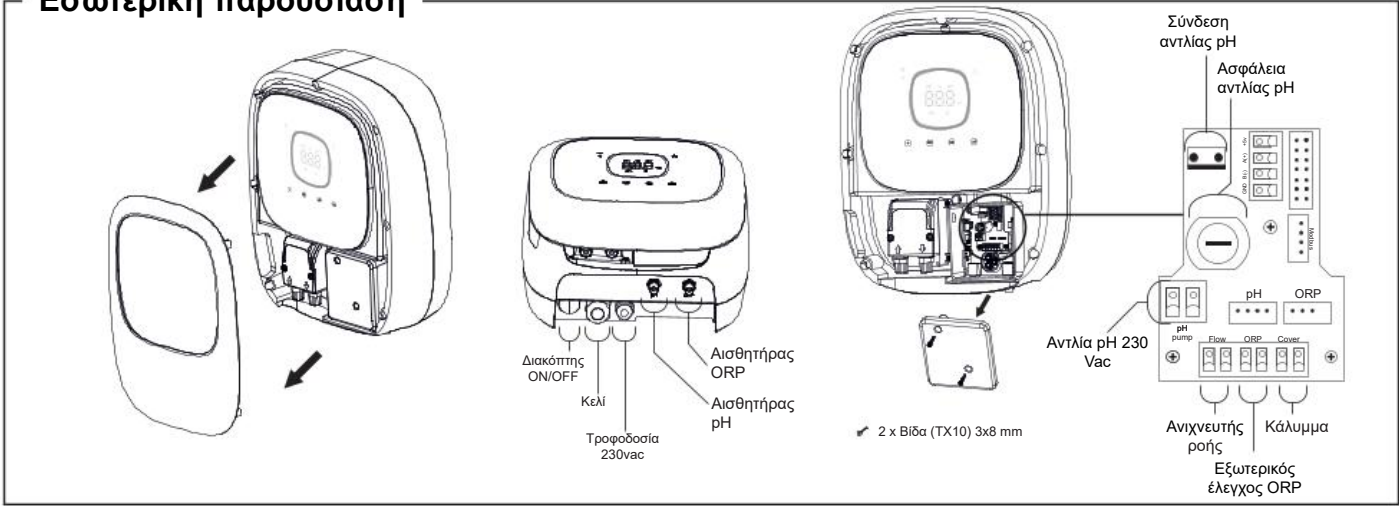


Σημείωση: Αυτό το διάγραμμα αντιπροσωπεύει μια εγκατάσταση ενός Εi2 iQ ΡΗ ΕVO μοντέλου με όλες τις επιλογές εγκαταστημένες. Αυτό το σχέδιο μπορεί να διαφέρει ανάλογα με το μοντέλο που αγοράσατε.

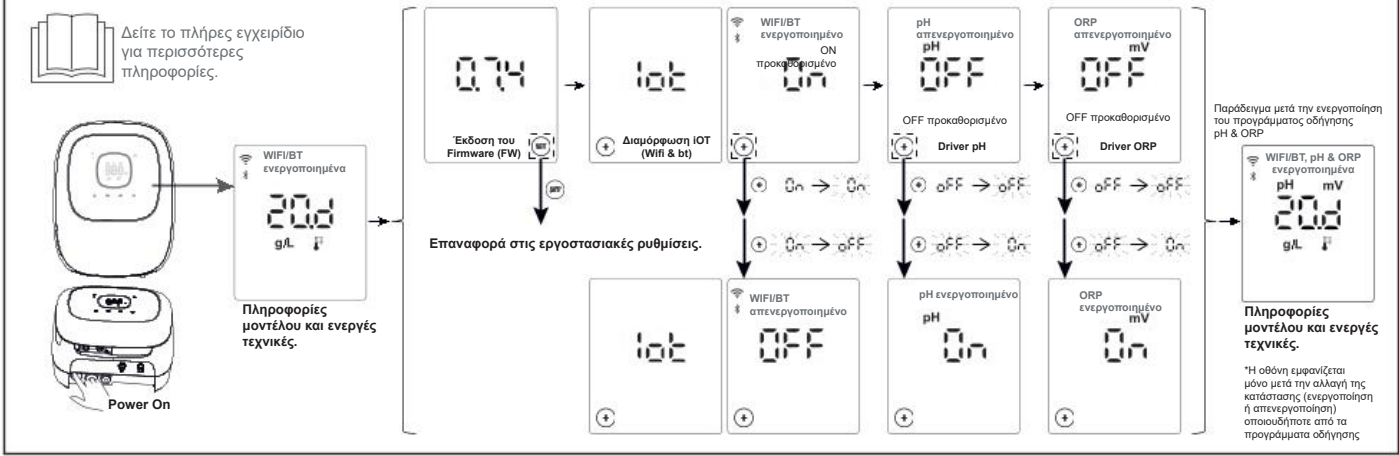
ΚΙΤ Θερμοκρασία: Εξαρτήματα και εγκατάσταση



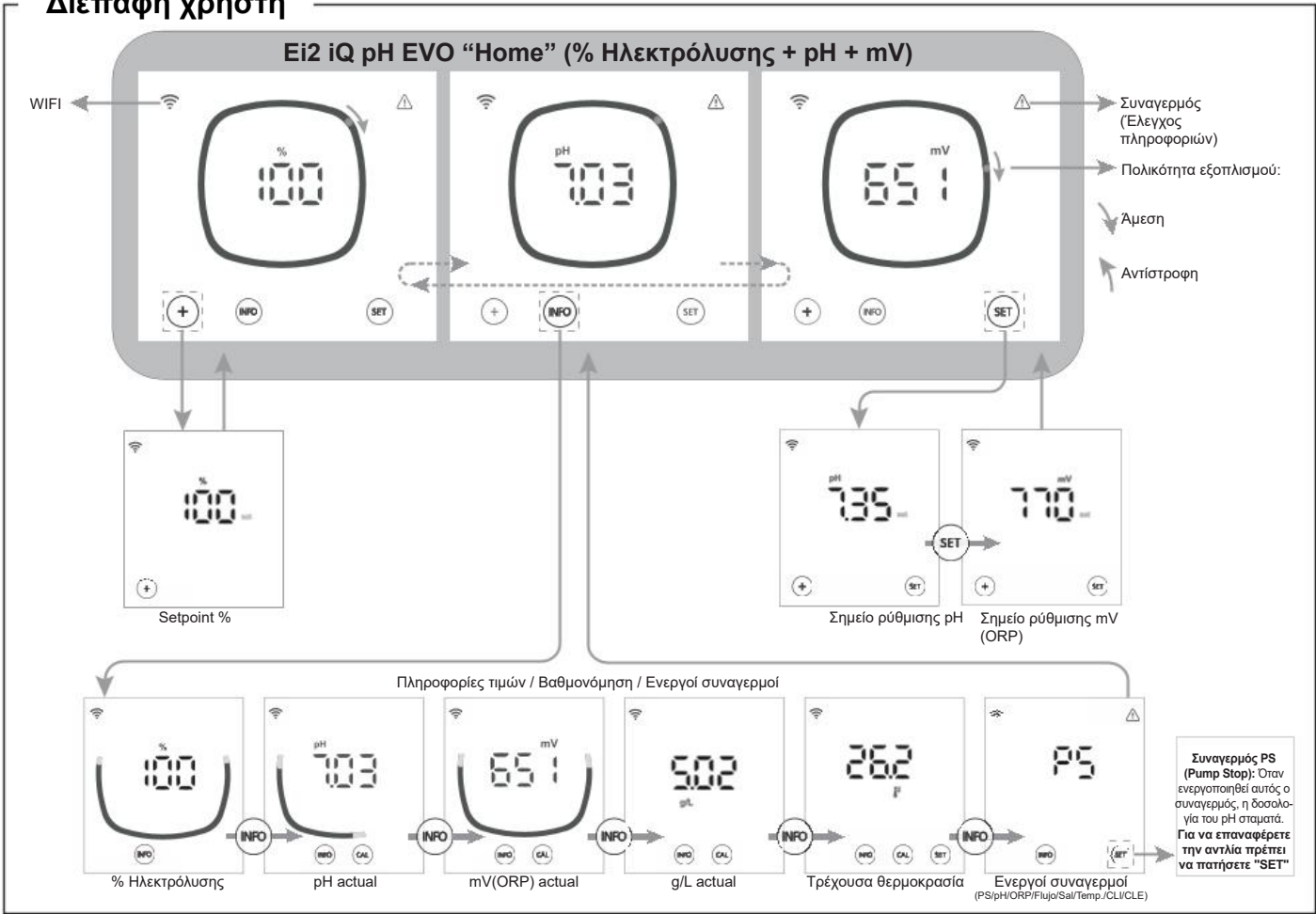
Εσωτερική παρουσίαση



Ακολουθία εκκίνησης, ενεργοποίηση/απενεργοποίηση WIFI & προγράμματα οδήγησης pH/ORP



Διεπαφή χρήστη



Μενού διαμόρφωσης



Δείτε το πλήρες εγχειρίδιο για περισσότερες πληροφορίες σχετικά με τις ρυθμίσεις του εξοπλισμού.

Διαμόρφωση Συναγερμοί

Πατήστε "INFO" για 5 δευτερόλεπτα μέχρι να εμφανιστεί το "CFG" στην οθόνη.

Έκδοση fw του εξοπλισμού 50F	Μοντέλο και ενεργές τεχνικές pH mV g/L f	Αντιστροφή πολικότητας POL	Boost Mode bSt	Διακοπή ροής FS	Αισθητήρας αερίου FE	Κάλυμμα COU	pH Intelligent pH Int
074	pH mV 20.0 g/L f	2h	OFF	OFF	On	OFF	On
	Μοντέλο 12/20/25 pH ORP on/off on/off	2h 3h 4h 7h test	24 h OFF	On OFF	On OFF	OFF 10...90	On OFF

Επαναφορά στις προεπιλεγμένες ρυθμίσεις

Ώρες ηλεκτρόλυσης
Ώρες αντίλας pH

INFO

Αρχική σταθεροποίηση του pH pH Int	Pump Stop pH PS	Εσωτερικός έλεγχος χλωρίου CL1	Εξωτερικός έλεγχος χλωρίου CLE	Συναγερμός θερμοκρασίας tEn	Συναγερμός gL GnL	Info Mode Inf	Biopool bio
2	60	On	OFF	OFF	OFF g/L	OFF	OFF
OFF 1 - 2 - 4 min	OFF 1...120 min	On OFF	On OFF	OFF ON: 0-40°C	OFF ON: 0.5-9.99°C	On OFF	On OFF

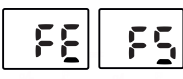
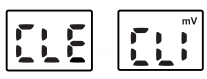
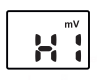
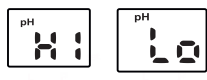

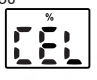
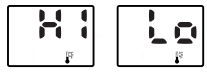
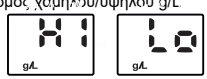
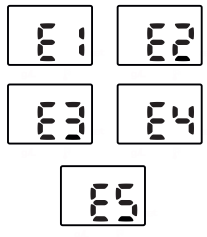
Σημείωση: Οι προεπιλεγμένες ρυθμίσεις εμφανίζονται στις οθόνες

Σύνδεση με το Fluidra Pool



- 1) Κατεβάστε και εγκαταστήστε την εφαρμογή FLUIDRA POOL.
- 2) Δημιουργήστε έναν λογαριασμό χρήστη και διαμορφώστε τις παραμέτρους της πισίνας.
- 3) Ενεργοποιήστε τη λειτουργία σύζευξης στον εξοπλισμό ("+" & "INFO" ταυτόχρονα για 5s).
- 4) Στην εφαρμογή FLUIDRA POOL, κάντε κλικ στην προσθήκη εξοπλισμού και ακολουθήστε τις οδηγίες.

Αντιμετώπιση συχνών προβλημάτων

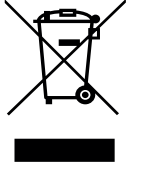
Μήνυμα	Λύση										
<p>Συναγερμός αισθητήρα ροής - Αισθητήρας αερίου (FE) - Αισθητήρας ροής (FS)</p> 	<p>Ο συναγερμός ροής θα εμφανιστεί εάν το κελί δεν είναι πλήρως γεμισμένο (αισθητήρας αερίου ηλεκτροδίου) ή εάν δεν υπάρχει ροή νερού (αισθητήρας διακόπτη ροής).</p> <ul style="list-style-type: none"> Ελέγξτε την αντλία, το φίλτρο και τη βαλβίδα πλύσης. Καθαρίστε εάν χρειάζεται. 										
<p>Συναγερμός STOP CL</p> 	<p>Ο συναγερμός STOP Cl μπορεί να εμφανιστεί για έναν από τους εξής 3 λόγους:</p> <p>CL= Σταμάτησε από εξωτερικό ελεγκτή</p> <ul style="list-style-type: none"> Ελέγξτε τον εξωτερικό ρυθμιστή (ORP/rpm) και ελέγξτε την ένδειξη. Εάν δεν έχετε εξωτερικό ρυθμιστή, απενεργοποιήστε τη λειτουργία ClE (CL=off) διαφορετικά η παραγωγή δεν θα ξεκινήσει. <p>CLi= Σταμάτησε από την τιμή ClmV ή Clrpm στη συσκευή.</p> <ul style="list-style-type: none"> Ελέγξτε το επίπεδο χλωρίου στην πισίνα με φωτόμετρο ή ταϊνιά μέτρησης. Καθαρίστε και βαθμονομήστε τον αισθητήρα ORP/rpm, εάν χρειάζεται 										
<p>ORP(mV) - Συναγερμός υψηλού</p> 	<p>Οι συναγερμοί χαμηλού και υψηλού εμφανίζονται εάν η μέτρηση είναι εκτός των καθορισμένων τιμών ασφαλείας.</p> <p>Οι τιμές ασφαλείας υψηλής ClmV δεν μπορούν να τροποποιηθούν:</p> <table border="1" data-bbox="790 649 1157 750"> <tr> <td>Mode</td> <td>Συναγερμός ORP HIGH</td> </tr> <tr> <td>Τυπικό:</td> <td>ClmV > 855</td> </tr> <tr> <td>Biorool</td> <td>ClmV > 855</td> </tr> </table> <ul style="list-style-type: none"> Ελέγξτε το επίπεδο χλωρίου στην πισίνα με φωτόμετρο ή ταϊνιά μέτρησης. Καθαρίστε και βαθμονομήστε τον αισθητήρα ORP, εάν χρειάζεται. Εάν έχετε χαμηλή τιμή ελεύθερου χλωρίου και υψηλή τιμή ολικού χλωρίου, εκτελέστε χλωρίωση κλονισμού (με υποχλωριώδες νάτριο) για να μειώσετε τις χλωραμίνες. Εάν τα rpm του χλωρίου είναι υψηλά και η ένδειξη mV είναι χαμηλή, ελέγξτε τη συγκέντρωση κυανουρικού οξέος. Εάν ληφθούν τιμές μεγαλύτερες από 60 rpm, αδειάστε μερικώς την πισίνα. Αυξήστε το καθημερινό φιλτράρισμα. Εάν κατά τη διαδικασία βαθμονόμησης η απόκλιση είναι υψηλή (± 60 mV σε διάλυμα των 470 mV), ο εξοπλισμός θα αναφέρει ένα σφάλμα στη μέτρηση, το οποίο μπορεί να οφείλεται σε φθορά του αισθητήρα ή του διαλύματος βαθμονόμησης. 	Mode	Συναγερμός ORP HIGH	Τυπικό:	ClmV > 855	Biorool	ClmV > 855				
Mode	Συναγερμός ORP HIGH										
Τυπικό:	ClmV > 855										
Biorool	ClmV > 855										
<p>Συναγερμός χαμηλού/υψηλού pH</p> 	<p>Οι συναγερμοί χαμηλού και υψηλού εμφανίζονται εάν η μέτρηση είναι εκτός των καθορισμένων τιμών ασφαλείας.</p> <p>Αυτές οι τιμές ασφαλείας δεν μπορούν να τροποποιηθούν (Εάν εμφανιστεί ο συναγερμός υψηλού pH, η αντλία pH θα σβήσει για λόγους ασφαλείας.):</p> <table border="1" data-bbox="678 1019 1268 1120"> <tr> <td>Mode</td> <td>Συναγερμός χαμηλού pH+</td> <td>Συναγερμός υψηλού pH+</td> </tr> <tr> <td>Τυπικό:</td> <td>pH < 6,5</td> <td>pH > 8,5</td> </tr> <tr> <td>Biorool</td> <td>pH < 6,0</td> <td>pH > 9,0</td> </tr> </table> <ul style="list-style-type: none"> Ελέγξτε το επίπεδο pH στην πισίνα με φωτόμετρο ή ταϊνιά μέτρησης. Καθαρίστε και βαθμονομήστε τον αισθητήρα pH, εάν χρειάζεται. Δείτε τις ενότητες 6.1 - 6.2 και 8 στο χειρίδιο για περισσότερες πληροφορίες σχετικά με τη συντήρηση του αισθητήρα. Το pH της πισίνας πρέπει να μειωθεί χειροκίνητα στο 8,45 (κανονική λειτουργία) ή στο 8,95 (λειτουργία βιολογικής πισίνας) για να επαναληφθεί η δοσομέτρηση της αντλίας. Εάν κατά τη διαδικασία βαθμονόμησης η απόκλιση είναι υψηλή (± 1 μονάδα pH), ο εξοπλισμός θα αναφέρει ένα σφάλμα στη μέτρηση, το οποίο μπορεί να οφείλεται σε φθορά του αισθητήρα ή του διαλύματος βαθμονόμησης. 	Mode	Συναγερμός χαμηλού pH+	Συναγερμός υψηλού pH+	Τυπικό:	pH < 6,5	pH > 8,5	Biorool	pH < 6,0	pH > 9,0	
Mode	Συναγερμός χαμηλού pH+	Συναγερμός υψηλού pH+									
Τυπικό:	pH < 6,5	pH > 8,5									
Biorool	pH < 6,0	pH > 9,0									
<p>Συναγερμός PUMP-STOP</p> 	<p>Όταν είναι ενεργοποιημένη η ΛΕΙΤΟΥΡΓΙΑ PUMP-STOP (προεπιλογή 60 λεπτά), το σύστημα σταματά την αντλία δοσομέτρησης μετά από προγραμματισμένο χρόνο χωρίς να έχει φτάσει το σημείο ρύθμισης pH.</p> <ul style="list-style-type: none"> Ελέγξτε την τιμή του pH στην πισίνα με φωτόμετρο ή ταϊνιά μέτρησης. Καθαρίστε και βαθμονομήστε τον αισθητήρα pH, εάν χρειάζεται Ελέγξτε και ρυθμίστε την αλκαλικότητα του νερού (συμβουλευτείτε τον ειδικό της πισίνας σας). Ελέγξτε τα επίπεδα οξέος στη φιάλη. 										
<p>Συναγερμός κελιού</p> 	<p>Ο συναγερμός κελιού θα εμφανιστεί όταν οι συσκευές ανιχνεύσουν ότι το ηλεκτρόδιο βρίσκεται στο τέλος της ωφέλιμης ζωής του (παθητικοποιημένο). Εκτιμώμενη ωφέλιμη ζωή των ηλεκτροδίων = 8.000 - 10.000 ώρες</p> <ul style="list-style-type: none"> Αντικαταστήστε το ηλεκτρόδιο, εάν χρειάζεται 										
<p>Συναγερμός αισθητήρα χαμηλής/υψηλής ΘΕΡΜΟΚΡΑΣΙΑΣ</p> 	<ul style="list-style-type: none"> Ο συναγερμός θερμοκρασίας θα εμφανιστεί όταν οι τιμές θερμοκρασίας είναι εκτός των διαμορφωμένων τιμών από τον χρήστη. (Ο συναγερμός θερμοκρασίας είναι απενεργοποιημένος από προεπιλογή) Όταν η θερμοκρασία του νερού είναι πολύ χαμηλή, ο εξοπλισμός δεν θα φτάσει στο 100% της παραγωγής λόγω χαμηλής αγωγιμότητας. 										
<p>Συναγερμός χαμηλού/υψηλού g/L</p> 	<ul style="list-style-type: none"> Όπως και ο συναγερμός θερμοκρασίας, έτσι και αυτός ο συναγερμός θα εμφανιστεί όταν οι τιμές g/L αλατιού είναι εκτός των διαμορφωμένων τιμών του χρήστη. (Ο συναγερμός g/L είναι απενεργοποιημένος από προεπιλογή) Κανονικά, όταν η τιμή g/L είναι πολύ χαμηλή ή υψηλή, θα επηρεάσει την παραγωγή της συσκευής, λόγω της αγωγιμότητας του νερού. 										
<p>Συναγερμοί E1...E5</p> 	<table border="1" data-bbox="486 1780 1460 2083"> <tr> <td>E1</td> <td>Όταν ο χρόνος βαθμονόμησης υπερβαίνει τα 5 λεπτά χωρίς παρέμβαση του χρήστη</td> </tr> <tr> <td>E2</td> <td>Όταν η απόκλιση μεταξύ των ενδείξεων κατά τη διαδικασία βαθμονόμησης είναι μεγαλύτερη από το επιτρεπόμενο εύρος (π.χ.: ελαττωματικός αισθητήρας) <ul style="list-style-type: none"> Θερμοκρασία: Απόκλιση $\pm 20^{\circ}\text{C}$ pH: Απόκλιση ± 1 μονάδα pH ORP: Απόκλιση ± 60 mV στο διάλυμα των 470 mV </td> </tr> <tr> <td>E3</td> <td>-</td> </tr> <tr> <td>E4</td> <td>Δεν είναι δυνατή η βαθμονόμηση του T, του pH γρήγορου και της αλατότητας (g/L) όταν η διήθηση είναι απενεργοποιημένη</td> </tr> <tr> <td>E5</td> <td>Ενεργοποιείται όταν η βαθμονόμηση δεν μπορεί να πραγματοποιηθεί εάν: <ul style="list-style-type: none"> Θερμοκρασία: Δεν υπάρχει NTC. Αλατότητα g/L: Η παραγωγή είναι μικρότερη από 30%. pH/ORP: Δεν υπάρχει πρόγραμμα οδήγησης ή το σύστημα προετοιμάζεται. </td> </tr> </table>	E1	Όταν ο χρόνος βαθμονόμησης υπερβαίνει τα 5 λεπτά χωρίς παρέμβαση του χρήστη	E2	Όταν η απόκλιση μεταξύ των ενδείξεων κατά τη διαδικασία βαθμονόμησης είναι μεγαλύτερη από το επιτρεπόμενο εύρος (π.χ.: ελαττωματικός αισθητήρας) <ul style="list-style-type: none"> Θερμοκρασία: Απόκλιση $\pm 20^{\circ}\text{C}$ pH: Απόκλιση ± 1 μονάδα pH ORP: Απόκλιση ± 60 mV στο διάλυμα των 470 mV 	E3	-	E4	Δεν είναι δυνατή η βαθμονόμηση του T, του pH γρήγορου και της αλατότητας (g/L) όταν η διήθηση είναι απενεργοποιημένη	E5	Ενεργοποιείται όταν η βαθμονόμηση δεν μπορεί να πραγματοποιηθεί εάν: <ul style="list-style-type: none"> Θερμοκρασία: Δεν υπάρχει NTC. Αλατότητα g/L: Η παραγωγή είναι μικρότερη από 30%. pH/ORP: Δεν υπάρχει πρόγραμμα οδήγησης ή το σύστημα προετοιμάζεται.
E1	Όταν ο χρόνος βαθμονόμησης υπερβαίνει τα 5 λεπτά χωρίς παρέμβαση του χρήστη										
E2	Όταν η απόκλιση μεταξύ των ενδείξεων κατά τη διαδικασία βαθμονόμησης είναι μεγαλύτερη από το επιτρεπόμενο εύρος (π.χ.: ελαττωματικός αισθητήρας) <ul style="list-style-type: none"> Θερμοκρασία: Απόκλιση $\pm 20^{\circ}\text{C}$ pH: Απόκλιση ± 1 μονάδα pH ORP: Απόκλιση ± 60 mV στο διάλυμα των 470 mV 										
E3	-										
E4	Δεν είναι δυνατή η βαθμονόμηση του T, του pH γρήγορου και της αλατότητας (g/L) όταν η διήθηση είναι απενεργοποιημένη										
E5	Ενεργοποιείται όταν η βαθμονόμηση δεν μπορεί να πραγματοποιηθεί εάν: <ul style="list-style-type: none"> Θερμοκρασία: Δεν υπάρχει NTC. Αλατότητα g/L: Η παραγωγή είναι μικρότερη από 30%. pH/ORP: Δεν υπάρχει πρόγραμμα οδήγησης ή το σύστημα προετοιμάζεται. 										



UYARI

Bu ürünle birlikte verilen kısa kılavuzda yalnızca kurulum, bakım ve çalıştırma sırasında uygulanması gereken güvenlik önlemleri hakkında temel bilgiler bulunmaktadır.

Kılavuzun tamamına şu web sitesinden erişilebilir ve PDF dosyası olarak indirilebilir: <https://www.zodiac.com>. Tüm montaj, elektrik tesisatı ve bakım çalışmaları, tüm kurulum ve çalıştırma talimatlarını dikkatli bir şekilde okumuş olan kalifiye ve yetkili personel tarafından gerçekleştirilmelidir.



Genel özellikler:

- Tuz Elektroliz sisteminiz kurulduktan sonra, suda bir miktar tuzun çözülmesi gerekmektedir. Tuz Elektroliz sistemi iki öğeden oluşur: bir elektroliz hücresi ve bir kontrol ünitesi. Elektroliz hücresi bir dizi titanyum plaka (elektrot) içerir, bu sayede titanyum plakaların içinden elektrik akımı geçtiğinde ve tuz çözeltisi de bu plakalardan geçtiğinde serbest klor üretilir.
- Havuz suyunda belirli bir klor seviyesinin korunması havuzun su kalitesinin hijyenik olmasını sağlayacaktır. Tuz Elektroliz sistemi, havuz filtrasyon sistemi (pompa ve filtre) çalışırken klor üretecektir.
- Kontrol ünitesi, sistemin anormal çalışması durumunda etkinleştirilen çeşitli güvenlik cihazları ve bir mikrodenetleyici kontrol bulunmaktadır.
- Tuz Elektroliz sistemlerinde, elektrotlar üzerinde iç kireçlenme oluşumunu önleyen otomatik bir elektrot temizleme sistemi bulunmaktadır.

Güvenlik uyarısı ve öneriler:

- Montaj veya kullanım kalifiye personel tarafından gerçekleştirilmelidir.
- Mevcut kaza önleme yönetmeliklerinin yanı sıra elektrik tesisatlarına ilişkin yönetmeliklere de uyulmalıdır.
- Kurulumda, ekipmanın elektrik bağlantısının kesilmesi için IEC 60947-1 ve IEC 60947-3 standartlarına uygun, omnipolar devre kesimi sağlayan, doğrudan güç kaynağı terminallerine bağlı ve tüm kutuplarında kontak mesafesi bulunması gereken, kategori III aşırı gerilim koşullarında bağlantı tam olarak kesilmesini sağlayan bir devre kesici veya otomatik devre kesicinin sahanın güvenlik gereksinimlerine uygun bir alanda bulundurulması gerektiği dikkate alınmalıdır. Devre kesici, ekipmanın hemen yakınında bulunmalı ve kolayca erişilebilir olmalıdır. Ayrıca, ekipman için bir bağlantı kesme cihazı olarak işaretlenmelidir.
- Ekipmana, 30 mA (RDC) değerini aşmayan bir artık akım cihazından güç sağlanmalıdır. Ekipmanın elektriksel topraklama bağlantısı olmalıdır.
- Kurulum, IEC / HD 60364-7-702 standardı ve geçerli ulusal havuz standartlarına uygun olmalıdır.
- Üretici; montaj, kurulum veya devreye alma işlemlerinin yanı sıra üreticinin tesislerinde gerçekleştirilmeyen herhangi bir değişiklik ya da bileşenlerin dahil edilmesinden hiçbir şekilde sorumlu değildir.
- Bu cihaz, güvenliklerinden sorumlu bir kişi tarafından cihazın kullanımıyla ilgili gözetim veya talimat sağlanmadığı sürece, fiziksel, duyuşsal veya zihinsel yetenekleri sınırlı veya deneyim veya bilgi eksikliği olan kişiler (çocuklar dahil) tarafından kullanılmak üzere tasarlanmamıştır. Çocuklar, cihazla oynamadıklarından emin olmak için gözetim altında tutulmalıdır.
- Güç kablosu hasar görmüşse bir tehlikeyi önlemek için üretici tarafından, satış sonrası hizmet dahilinde veya benzer niteliklere sahip personel tarafından değiştirilmelidir.
- Kontrol ünitesini başka bir voltajda çalışacak şekilde değiştirmeye çalışmayın.
- Kontaktların aşırı ısınmasına neden olacak yanlış kontak durumlarını önlemek için sağlam elektrik bağlantıları gerçekleştirdiğinizden emin olun.
- Sistemin herhangi bir bileşenini takmadan veya değiştirmeden önce, sistemin güç kaynağıyla bağlantısının kesildiğinden ve sistem içerisinden su geçmediğinden emin olun. Yalnızca orijinal yedek parçalar kullanın.
- Ekipman ısı ürettiğinden, yeterince havalandırılan bir yere kurulması önemlidir. Yanıcı malzemelerin yakınına kurmayın.
- Ekipman IP koruma derecesine sahip olsa bile, hiçbir koşulda su baskını yaşanabilecek alanlara kurulmamalıdır.
- Bu ekipman su kaynağına kalıcı olarak bağlanmak üzere tasarlanmıştır ve geçici bir hortumla bağlanmamalıdır.
- Bu cihaz, montaj için kullanılan bir braketle birlikte sağlanır, montaj talimatlarına bakın.

Çalıştırma

1. Filtrenin %100 temiz olduğundan, havuz suyunda ve tesisatında bakır, demir ve yosun bulunmadığından ve monte edilen herhangi bir ısıtma ekipmanının sudaki tuz varlığıyla uyumlu olduğundan emin olun.
2. Havuz suyunu dengeleyin. Bu işlem, suda daha düşük serbest klor konsantrasyonu ile daha verimli bir arıtma elde etmemizi ve havuzda daha az kireç tortusu oluşumu ile birlikte elektrotların daha uzun süre çalışmasını sağlayacaktır.
3. Sistemin çalışma aralığı 3,5-10 g/L olup, önerilen optimal tuz seviyesi olan 4 g/L'nin korunması için çaba gösterilmelidir.
4. Çalışma döngüsüne başlamadan önce, kontrol ünitesinin bağlantısını kesin ve tuzun tamamen çözüldüğünden emin olmak için-filtrasyon pompasını 24 saat çalıştırın.
5. Ardından tuz elektroliz sistemini başlatın, böylece serbest klor seviyesi önerilen seviyelerde (0,5-2 ppm) tutulur.
6. MagnaPool ile uyumludur, kullanım kılavuzunun 2.8. bölümüne bakınız.

Havuz dengesi

Aşağıdaki su parametrelerini koruyun:

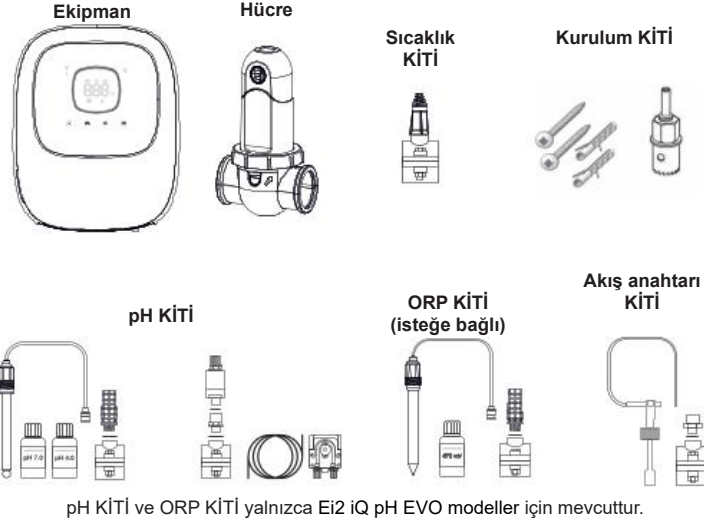
- Toplam alkalinite 80 ile 150 mg/l (ppm) arasında
- pH 7,2 ile 7,6 arasında
- Serbest klor 0,5 ile 2 mg/l (ppm) arasında
- Klor stabilizatörü 25-30 mg/l (ppm). Güçlü güneş ışığı alan veya yoğun kullanıma sahip havuzlarda 25-30 mg/l stabilizatör (izosiyaniük asit) seviyesinin korunması tavsiye edilir.



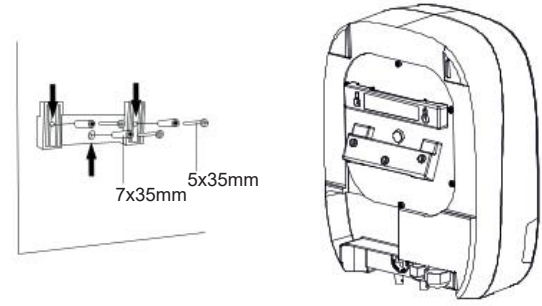
Aşağıdakiler hakkında daha fazla bilgi için kılavuzun tamamına bakın:

- pH, ORP, g/l ve sıcaklık sensörlerinin kurulumu ve kalibrasyonu.
- Elektroliz hücresi ve peristaltik pompaların bakımı.

Bileşenler ve kurulum



Ekipmanın duvara kurulumu



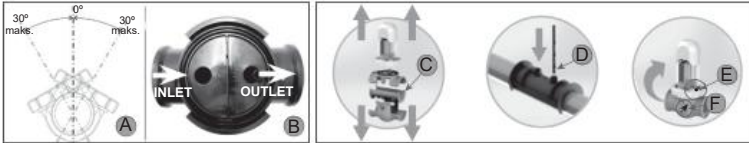
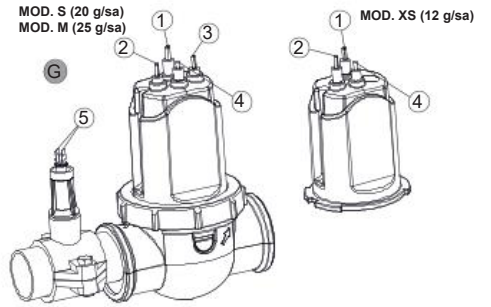
DIKKAT: Her zaman sert bir yüzey üzerine, kuru ve havalandırılan bir yere dikey olarak kurun. Ekipmanın açık havada bulunmayan yerlere kurulması önerilir. Aşındırıcı ortamların oluşmasını önleyin.



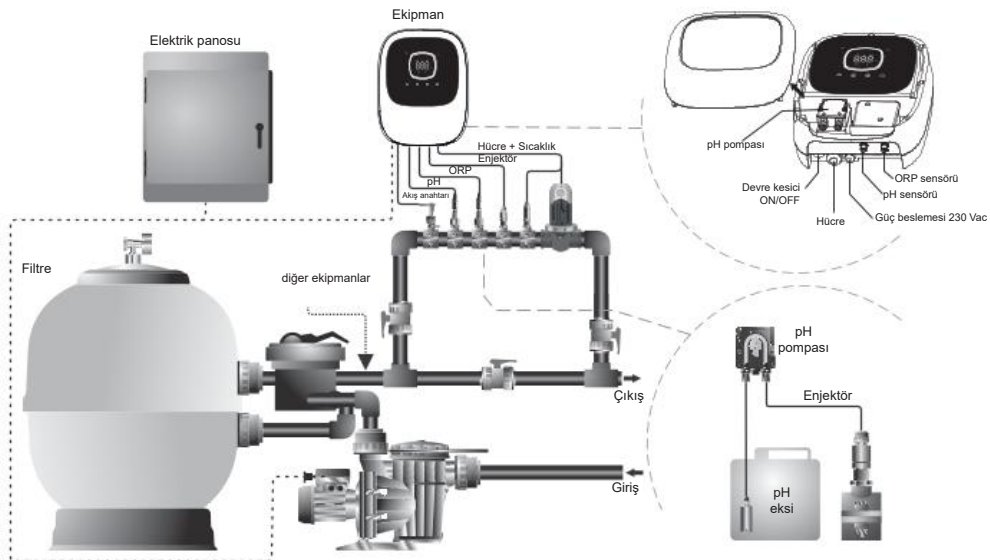
Kurulum ve kablo tesisatları hakkında daha fazla bilgi için kılavuzun tamamına başvurun.

Elektroliz hücresinin bağlantısı

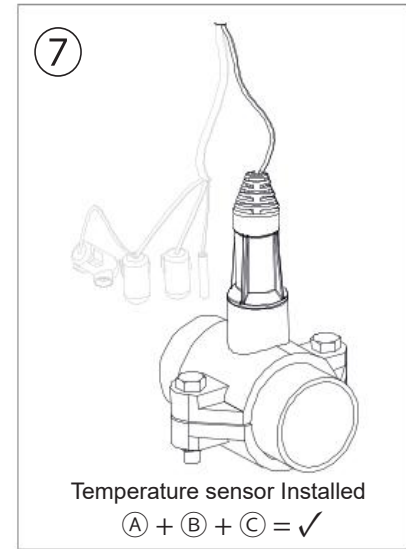
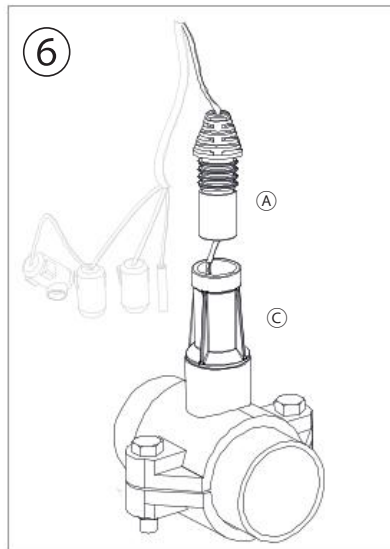
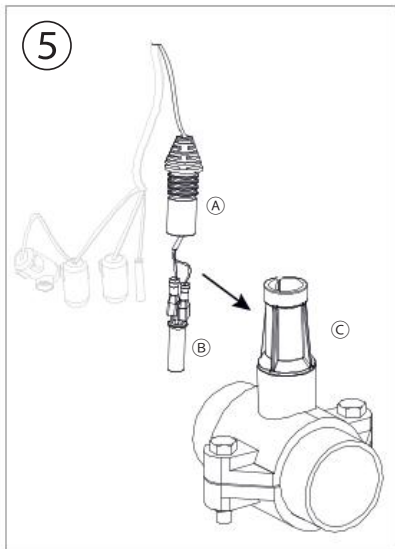
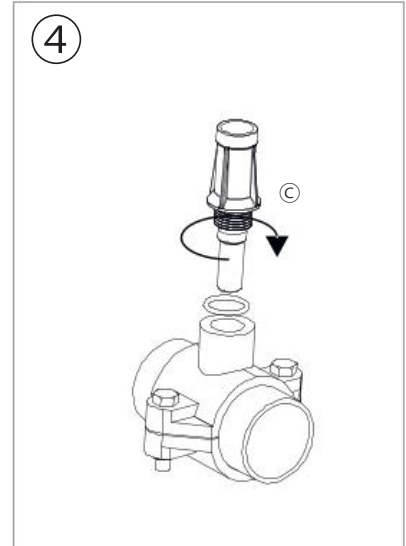
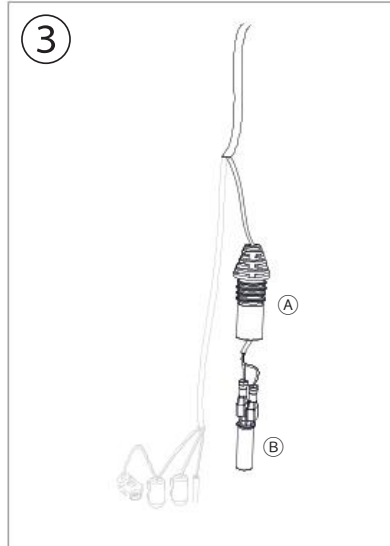
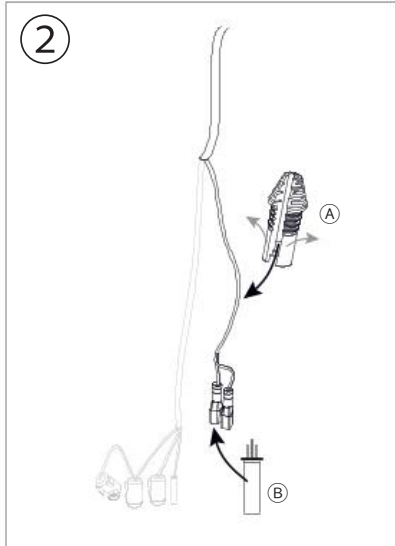
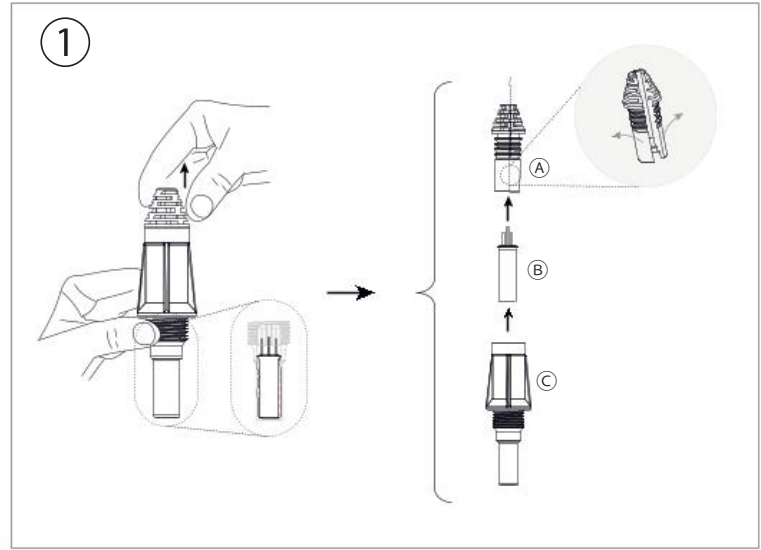
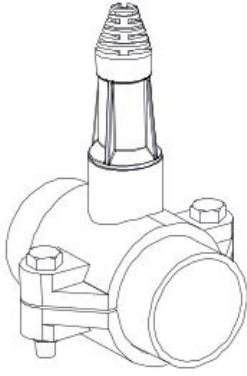
- Hücre, içinden geçen su akışının 30°'yi aşmayan bir açı veya eğimle su akış yönüne uymasını sağlamak için yatay bir boruya monte edilmelidir (A)
- Su akış yönüne uyun. (B)
- Hücreyi sökün. (C)
- EU boru adaptörünü (DN50 mm) borunun istenen yerinde tersten yerleştirin (D). Bir matkap ucu veya oyma kalemi kullanarak burda açılacak deliklerin yerini işaretleyin, adaptörü çıkarın ve birlikte verilen matkap ucu başlığını kullanarak delikleri açın.
- Hücre yakasının üst ve alt kısımlarını su yönüne dikkat ederek deliklerin yüksekliğinde boruya asın (C).
- Hücresin şeffaf üst kısmını konumlandırın (bir konum göstergesi bulunur), bileziğin noktasını (E) bilezik üzerindeki okla (F) hizalayarak sıkıştırma halkasını üst bileziğin dışına yerleştirin ve ardından elle iyice sıkın (alet kullanmadan).
- Hücresin güç kaynağı kablolarını kabloların renk kodlarına (G) (kırmızı, siyah ve mavi konektörler) uygun bir şekilde bağlayın ve ardından koruma kapağını takın.



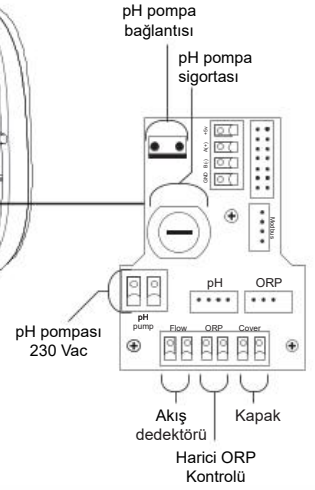
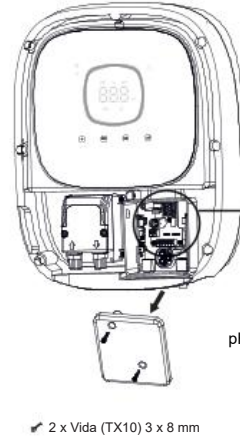
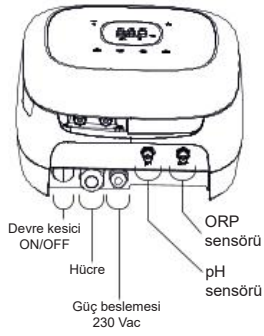
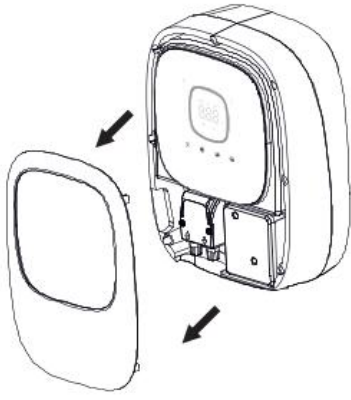
Kurulum şeması



Not: Bu şema, tüm seçeneklerin kurulu olduğu Eİ2 IQ pH EVO bir modelin kurulumunu temsil etmektedir. Bu şema satın alınan modele bağlı olarak değişebilir.



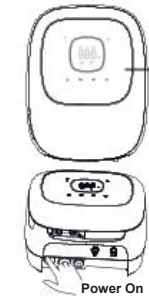
İç görünüm



Başlangıç sekansı, WIFI ve pH/ORP sürücülerinin etkinleştirilmesi/devre dışı bırakılması

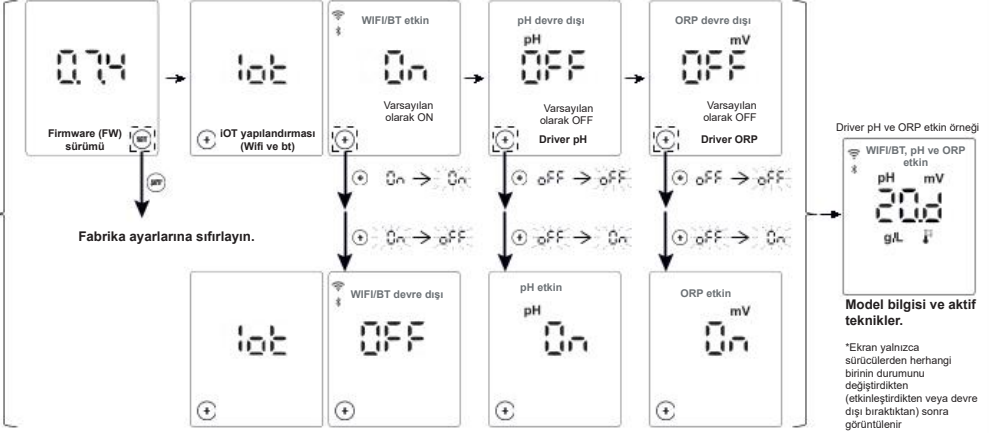


Daha fazla bilgi için kılavuzun tamamına başvurun.

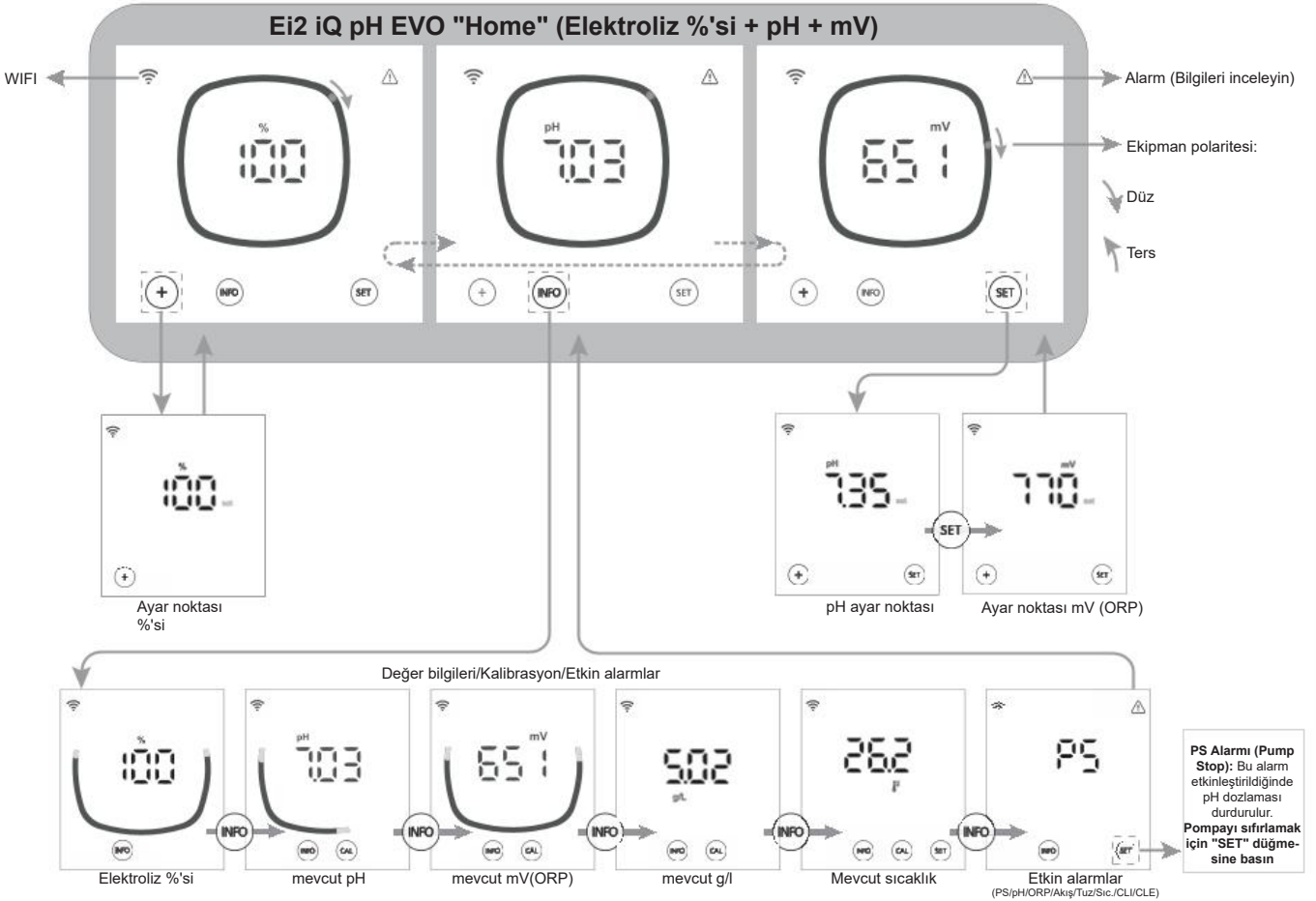


WIFI/BT etkin
20.0
g/L
F

Model bilgisi ve aktif teknikler.



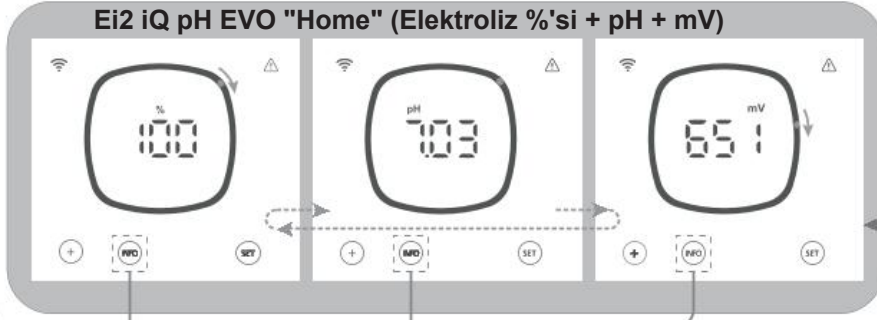
Kullanıcı arayüzü



Yapılandırma menüsü



Ekipman ayarları hakkında daha fazla bilgi için kılavuzun tamamına başvurun.



Yapılandırma Alarmlar

CFG ALA

Ekranı "CFG" görünene kadar 5 saniye boyunca "INFO" düğmesine basın.

Fw ekipman sürümü

Model ve aktif teknikler

Polarite ters çevirme

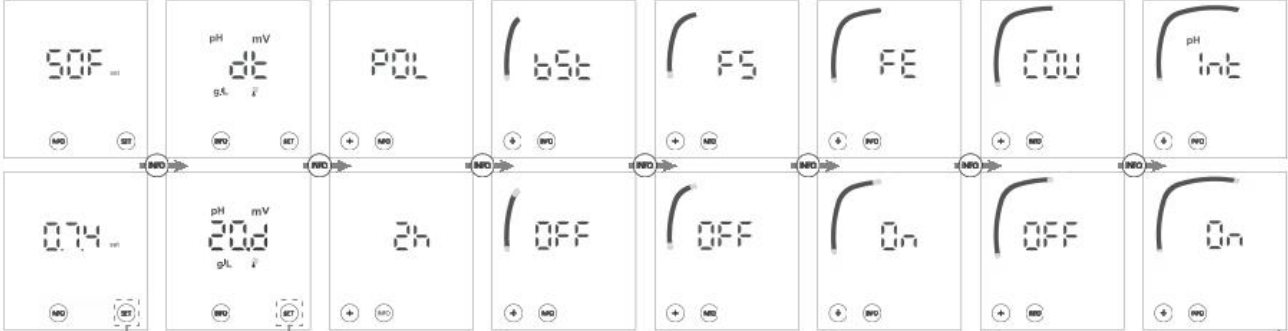
Boost Mode

Akış anahtarı

Gaz sensörü

Kapak

pH Intelligent

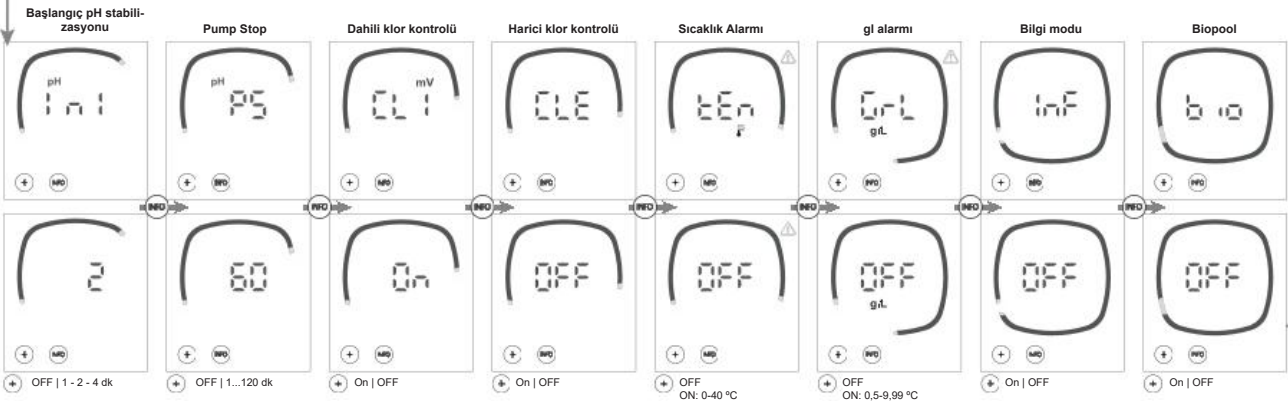


Model
12/20/25
pH ORP
on/off on/off

Varsayılan yapılandırma-ya sıfırla

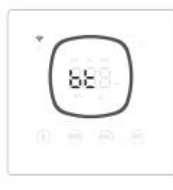
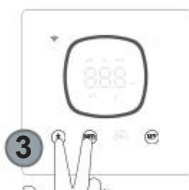
Elektroliz saatleri
pH pompa saatleri

INFO



Not: Varsayılan yapılandırma ekranlarda gösterilir

Fluidra Pool'a Bağlanma







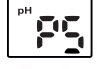



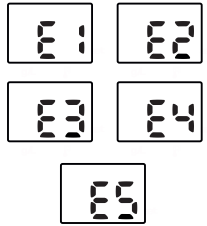
1) FLUIDRA POOL uygulamasını indirip kurun.

2) Bir kullanıcı hesabı oluşturun ve havuz parametrelerini yapılandırın.

3) Ekipmanda eşleşme modunu etkinleştirin ("+" ve "INFO" düğmelerine aynı anda 5 sn basın).

4) FLUIDRA POOL uygulamasında ekipman ekle düğmesine tıklayın ve talimatları izleyin.

Sık karşılaşılan sorunları giderme

Mesaj	Çözüm										
<p>Akış alarmı</p> <ul style="list-style-type: none"> - Gaz sensörü (FE) - Akış sensörü (FS) 	<p>Akış alarmı, hücreye tam su basılmaması (Elektrot gaz sensörü) veya su akışı olmaması (Akış anahtarı sensörü) nedeniyle ortaya çıkar.</p> <ul style="list-style-type: none"> Pompayı, filtreyi ve yıkama valfini kontrol edin. Gerekirse temizleyin. 										
<p>STOP CL Alarmı</p> 	<p>STOP CL alarmı 3 farklı nedenden dolayı oluşabilir:</p> <p>CLE = Harici kontrolör tarafından durdurulmuştur</p> <ul style="list-style-type: none"> Harici kontrolörü (ORP/ppm) kontrol edin ve okuma değerini kontrol edin. Harici bir kontrolör yoksa CLE (CLE=off) işlevini devre dışı bırakın, aksi takdirde üretim başlamayacaktır. <p>CLI = Cihazdaki ClmV veya Clppm değeri tarafından durdurulmuştur.</p> <ul style="list-style-type: none"> Havuzdaki klor seviyesini bir fotometre veya test şeridi ile kontrol edin. Gerekirse ORP/ppm sensörünü temizleyin ve kalibre edin 										
<p>ORP(mV) - Yüksek Alarmı</p> 	<p>Ölçüm değeri belirlenen güvenlik değerlerinin dışındaysa düşük ve yüksek alarmları görüntülenir.</p> <p>ClmV yüksek güvenlik değerleri değiştirilemez:</p> <table border="1"> <thead> <tr> <th>Mode</th> <th>ORP Yüksek Alarmı</th> </tr> </thead> <tbody> <tr> <td>Standart</td> <td>ClmV > 855</td> </tr> <tr> <td>Biopool</td> <td>ClmV > 855</td> </tr> </tbody> </table> <ul style="list-style-type: none"> Havuzdaki klor seviyesini bir fotometre veya test şeridi ile kontrol edin. Gerekirse ORP sensörünü temizleyin ve kalibre edin. Serbest klor değeriniz düşük ve toplam klor değeriniz yüksekse kloraminleri azaltmak için şok klorlama (sodyum hipoklorit ile) gerçekleştirin. Klor ppm değeri yüksek ve mV değeri düşükse izosiyanik asit konsantrasyonunu kontrol edin. Değerlerin 60 ppm'in üzerinde olması durumunda havuzu kısmen boşaltın. Günlük filtrasyonu artırın. Kalibrasyon işlemi sırasında sapma yüksekse (470 mV çözeltide ± 60 mV) cihaz, sensörün veya kalibrasyon çözeltisinin bozulmasından kaynaklanabilecek bir ölçüm hatası bildirecektir. 	Mode	ORP Yüksek Alarmı	Standart	ClmV > 855	Biopool	ClmV > 855				
Mode	ORP Yüksek Alarmı										
Standart	ClmV > 855										
Biopool	ClmV > 855										
<p>pH Düşük/Yüksek Alarmı</p> 	<p>Ölçüm değeri belirlenen güvenlik değerlerinin dışındaysa düşük ve yüksek alarmları görüntülenir.</p> <p>Bu güvenlik değerleri değiştirilemez (Yüksek pH alarmı görünürse pH pompası güvenlik nedeniyle kapatılacaktır):</p> <table border="1"> <thead> <tr> <th>Mode</th> <th>pH Düşük Alarmı</th> <th>pH Yüksek Alarmı</th> </tr> </thead> <tbody> <tr> <td>Standart</td> <td>pH < 6,5</td> <td>pH > 8,5</td> </tr> <tr> <td>Biopool</td> <td>pH < 6,0</td> <td>pH > 9,0</td> </tr> </tbody> </table> <ul style="list-style-type: none"> Havuzdaki pH seviyesini bir fotometre veya test şeridi ile kontrol edin. Gerekirse pH sensörünü temizleyin ve kalibre edin. Sensör bakımı hakkında daha fazla bilgi için kılavuzdaki 6.1-6.2 ve 8. bölümlere bakın. Pompanın tekrar dozlamaya başlaması için havuzun pH değeri manuel olarak 8,45 (standart mod) veya 8,95'e (biopool modu) düşürülmelidir. Kalibrasyon işlemi sırasında sapma yüksekse (± 1 pH birimi) cihaz, sensörün veya kalibrasyon çözeltisinin bozulmasından kaynaklanabilecek bir ölçüm hatası bildirecektir. 	Mode	pH Düşük Alarmı	pH Yüksek Alarmı	Standart	pH < 6,5	pH > 8,5	Biopool	pH < 6,0	pH > 9,0	
Mode	pH Düşük Alarmı	pH Yüksek Alarmı									
Standart	pH < 6,5	pH > 8,5									
Biopool	pH < 6,0	pH > 9,0									
<p>PUMP-STOP Alarmı</p> 	<p>PUMP-STOP İŞLEVI etkinleştirildiğinde (varsayılan olarak 60 dakika) sistem, dozaj pompası pH ayar noktasına ulaşmadan önce programlanan bir süre sonra dozaj pompasını durdurur.</p> <ul style="list-style-type: none"> Havuzdaki pH değerini bir fotometre veya test şeridi ile kontrol edin. Gerekirse pH sensörünü temizleyin ve kalibre edin Suyun alkalinitesini kontrol edin ve ayarlayın (havuz konusunda uzmanınıza danışın). Tanktaki asit seviyelerini kontrol edin. 										
<p>Hücre alarmı</p> 	<p>Cihazlar, elektrotun kullanım ömrünün sonuna geldiğini (pasifleştirildiğini) tespit ettiğinde hücre alarmı görüntülenecektir. Elektrotların tahmini kullanım ömrü = 8.000-10.000 saat</p> <ul style="list-style-type: none"> Gerekirse elektrotu değiştirin 										
<p>SICAKLIK Düşük/Yüksek Sensör Alarmı</p> 	<ul style="list-style-type: none"> Sıcaklık değerleri kullanıcı tarafından ayarlanan değerlerin dışında olduğunda sıcaklık alarmı görünecektir. (Sıcaklık alarmı varsayılan olarak devre dışıdır) Su sıcaklığı çok düşük olduğunda ekipman düşük iletkenlik nedeniyle %100 üretim seviyesine ulaşamayacaktır. 										
<p>g/l Düşük/Yüksek Alarmı</p> 	<ul style="list-style-type: none"> Sıcaklık alarmı gibi bu alarm da g/l tuz değerleri kullanıcı tarafından ayarlanan değerlerin dışında olduğunda görüntülenecektir. (Varsayılan g/L alarmı devre dışıdır) Normal şartlarda g/l değeri çok düşük veya çok yüksek olduğunda suyun iletkenliği nedeniyle cihazın üretim seviyesi etkilenecektir. 										
<p>E1....E5 alarmları</p> 	<table border="1"> <tbody> <tr> <td>E1</td> <td>Kullanıcı müdahalesi olmadan kalibrasyon süresi 5 dakikayı aştığında</td> </tr> <tr> <td>E2</td> <td>Kalibrasyon işlemi sırasında okuma değerleri arasındaki sapma izin verilen aralıktan yüksek olduğunda (örn. arızalı sensör) <ul style="list-style-type: none"> Sıcaklık: ± 20 °C'lik sapma pH: ± 1 pH birimlik sapma ORP: 470 mV çözeltide ± 60 mV sapma </td> </tr> <tr> <td>E3</td> <td>-</td> </tr> <tr> <td>E4</td> <td>Filtrasyon kapalıyken T, fast pH ve tuzluluk (g/l) kalibre edilemiyor</td> </tr> <tr> <td>E5</td> <td>Aşağıdaki durumlarda kalibrasyon gerçekleştirilemediğinde etkinleştirilir: <ul style="list-style-type: none"> Sıcaklık: NTC yok. Tuzluluk g/l: Üretim %30'dan düşük. pH/ORP: Driver yok ya da sistem başlatılıyor. </td> </tr> </tbody> </table>	E1	Kullanıcı müdahalesi olmadan kalibrasyon süresi 5 dakikayı aştığında	E2	Kalibrasyon işlemi sırasında okuma değerleri arasındaki sapma izin verilen aralıktan yüksek olduğunda (örn. arızalı sensör) <ul style="list-style-type: none"> Sıcaklık: ± 20 °C'lik sapma pH: ± 1 pH birimlik sapma ORP: 470 mV çözeltide ± 60 mV sapma 	E3	-	E4	Filtrasyon kapalıyken T, fast pH ve tuzluluk (g/l) kalibre edilemiyor	E5	Aşağıdaki durumlarda kalibrasyon gerçekleştirilemediğinde etkinleştirilir: <ul style="list-style-type: none"> Sıcaklık: NTC yok. Tuzluluk g/l: Üretim %30'dan düşük. pH/ORP: Driver yok ya da sistem başlatılıyor.
E1	Kullanıcı müdahalesi olmadan kalibrasyon süresi 5 dakikayı aştığında										
E2	Kalibrasyon işlemi sırasında okuma değerleri arasındaki sapma izin verilen aralıktan yüksek olduğunda (örn. arızalı sensör) <ul style="list-style-type: none"> Sıcaklık: ± 20 °C'lik sapma pH: ± 1 pH birimlik sapma ORP: 470 mV çözeltide ± 60 mV sapma 										
E3	-										
E4	Filtrasyon kapalıyken T, fast pH ve tuzluluk (g/l) kalibre edilemiyor										
E5	Aşağıdaki durumlarda kalibrasyon gerçekleştirilemediğinde etkinleştirilir: <ul style="list-style-type: none"> Sıcaklık: NTC yok. Tuzluluk g/l: Üretim %30'dan düşük. pH/ORP: Driver yok ya da sistem başlatılıyor. 										

**Technical Information - Informations techniques - Información técnica -
Informazioni tecniche - Technische Informationen - Informações técnicas -
Technische informatie - Technické informace - Teknisk information - Teknisk information -
Informacje techniczne - Műszaki információk - Τεχνικές πληροφορίες - Teknik bilgiler**

Models	12 g/h	20 g/h	25 g/h
Input	230V ac 50/60Hz		
Consume	0.45 A	0.65 A	0.85 A
Work Temp	15 – 40 °C		
IP level	IP44		

Bluetooth	Freq. Band: 2400-2483.5 MHz	RF Output Power: 11.23 dBm
WI-FI 2.4 GHz	Freq. Band: 2400-2483.5 MHz	RF Output Power: 19.91 dBm

SIMPLIFIED EU DECLARATION OF CONFORMITY.

I.D. Electroquímica S.L. hereby declares that the Ei2 iQ pH EVO devices are in conformity with Directives 2014/53/EU, 2011/65/EU + 2015/863.
The full text of the EU Declaration of Conformity can be found on the following website: (www.zodiac.com).

DÉCLARATION DE CONFORMITÉ SIMPLIFIÉE DE L'UE.

I.D. Electroquímica S.L. déclare par la présente que les appareils Ei2 iQ pH EVO sont conformes aux directives européennes 2014/53/EU et 2011/65/EU + 2015/863.
Vous pouvez accéder au texte intégral de la déclaration de conformité de l'UE en cliquant sur le lien suivant : (www.zodiac.com).

DECLARACIÓN UE DE CONFORMIDAD SIMPLIFICADA.

Por la presente, I.D. Electroquímica S.L. declara que los equipos Ei2 iQ pH EVO son conformes con las Directivas 2014/53/EU y 2011/65/EU + 2015/863.
El texto completo de la declaración UE de conformidad está disponible en la dirección de internet siguiente: (www.zodiac.com).

DICHIARAZIONE SEMPLIFICATA DI CONFORMITÀ UE.

I.D. Electroquímica S.L. dichiara che l'apparecchiatura Ei2 iQ pH EVO è conforme alle Direttive 2014/53/EU e 2011/65/EU + 2015/863.
Il testo completo della Dichiarazione di Conformità UE è disponibile sul seguente sito web: (www.zodiac.com).

VEREINFACHTE EU-KONFORMITÄTSEKTLÄRUNG.

I.D. Electroquímica S.L. erklärt hiermit, dass die Ei2 iQ pH EVO-Geräte mit den Richtlinien 2014/53/EU und 2011/65/EU + 2015/863 konform sind.
Den vollständigen Text der EU-Konformitätserklärung finden Sie auf der folgenden Website: (www.zodiac.com).

DECLARAÇÃO DE CONFORMIDADE UE SIMPLIFICADA.

A.I.D. Electroquímica S.L. declara que o equipamento Ei2 iQ pH EVO está em conformidade com as Diretivas 2014/53/EU e 2011/65/EU + 2015/863.
O texto integral da Declaração de Conformidade UE pode ser consultado no seguinte website: (www.zodiac.com).

VEREENVOUDIGDE EU-CONFORMITEITSVERKLARING.

I.D. Electroquímica S.L. verklaart hierbij dat de Ei2 iQ pH EVO-apparatuur in overeenstemming is met de Richtlijnen 2014/53/EU en 2011/65/EU + 2015/863.
De volledige tekst van de EU-verklaring van overeenstemming vindt u op de volgende website: (www.zodiac.com).

ZJEDNODUŠENÉ EU PROHLÁŠENÍ O SHODĚ.

Společnost I.D. Electroquímica S.L. tímto prohlašuje, že zařízení Ei2 iQ pH EVO je v souladu se směrnicemi 2014/53/EU a 2011/65/EU + 2015/863.
Úplné znění EU prohlášení o shodě naleznete na této internetové stránce: (www.zodiac.com).

FÖRENKLAD EU-FÖRSÄKRAN OM ÖVERENSSTÄMMELSE.

I.D. Electroquímica S.L. försäkrar härmed att Ei2 iQ pH EVO-utrustningen överensstämmer med direktiven 2014/53/EU och 2011/65/EU + 2015/863.
Den fullständiga texten till EU-försäkran om överensstämmelse finns på följande webbplats: (www.zodiac.com).

FORENKLET EU-OVERENSSTEMMELSESEKTLÆRING.

I.D. Electroquímica S.L. erklærer hermed, at Ei2 iQ pH EVO-udstyret er i overensstemmelse med direktiverne 2014/53/EU og 2011/65/EU + 2015/863.
Den fulde ordlyd af EU-overensstemmelseserklæringen kan findes på følgende websted: (www.zodiac.com).

UPROSZCZONA DEKLARACJA ZGODNOŚCI UE.

I.D. Electroquímica S.L. niniejszym oświadcza, że urządzenia Ei2 iQ pH EVO spełniają wymagania dyrektyw 2014/53/EU i 2011/65/EU + 2015/863.
Pełny tekst deklaracji zgodności UE można znaleźć na następującej stronie internetowej: (www.zodiac.com).

EGYSZERŰSÍTETT EU-MEGFELELŐSÉGI NYILATKOZAT.

Az I.D. Electroquímica S.L. kijelenti, hogy az Ei2 iQ pH EVO berendezés megfelel a 2014/53/EU és a 2011/65/EU + 2015/863 irányelveknek.
Az EU-megfelelőségi nyilatkozat teljes szövege az alábbi weboldalon található: (www.zodiac.com).

ΑΠΛΟΥΣΤΕΥΜΕΝΗ ΔΗΛΩΣΗ ΣΥΜΜΟΡΦΩΣΗΣ ΕΕ.

H.I.D. Electroquímica S.L. δηλώνει διά του παρόντος ότι ο εξοπλισμός Ei2 iQ pH EVO συμμορφώνεται με τις οδηγίες 2014/53/EU και 2011/65/EU + 2015/863.
Το πλήρες κείμενο της δήλωσης συμμόρφωσης ΕΕ είναι διαθέσιμο στον ακόλουθο ιστότοπο: (www.zodiac.com).

BASİTLEŞTİRİLMİŞ AB UYGUNLUK BEYANI.

I.D. Electroquímica S.L. işbu belge ile Ei2 iQ pH EVO ekipmanının 2014/53/EU ve 2011/65/EU + 2015/863 sayılı Direktiflere uygun olduğunu beyan eder.
AB Uygunluk Beyanının tam metni aşağıdaki web sitesinde bulunabilir: (www.zodiac.com).



- For recycling information, please contact the seller.
- Pour obtenir des informations sur le recyclage, veuillez contacter votre vendeur.
- Para obtener información del reciclaje, póngase en contacto con el vendedor.
- Per informazioni sul riciclaggio, contattare il venditore.
- Für Informationen zum Recycling wenden Sie sich bitte an den Verkäufer.
- Para informações sobre a reciclagem, contacte o vendedor.
- Neem voor recyclinginformatie contact op met de verkoper.
- Informace o recyklaci získáte od prodejce.
- För information om återvinning, var god kontakta säljaren.
- For information om genbrug, kontakt venligst sælger.
- Informacji na temat recyklingu udziela sprzedawca.
- Újrahasznosítással kapcsolatos információkért forduljon az eladóhoz.
- Για πληροφορίες σχετικά με την ανακύκλωση, επικοινωνήστε με τον πωλητή.
- Geri dönüştürme bilgileri için lütfen satıcıyla iletişime geçin.

Ei2 iQ



Made in Spain by
I.D. Electroquímica, S.L.
AstralPool
A Fluidra Brand | www.astralpool.com
FLUIDRA S.A.
AVDA. ALCALDE BARNILS, 69
08174 SANT CUGAT DEL VALLÈS
(BARCELONA)