

Swimming Pool Counter Current Unit

AQUA JET 100

Instruction for Installation, Mounting and Operation



Version 2 / May 2015

General

The unit is produced for Mountfield, a.s., by Garsys, s.r.o., Industrial Zone at František Mine, K Prádlu Str. 735 Horní Suchá; Country of origin: Czech Republic.

Use

The unit is designed and intended for operation in private swimming pools and garden pools. It is not intended and should not be used for public swimming pools and other commercial applications.

The directions included in this Instruction for Installation, Mounting and Operation (hereinafter referred to as "Operating Instruction") shall be strictly observed, as special demands are made upon electrical equipment used in swimming pools and adjacent areas..

The counter-current unit is able to provide a flowrate controllable within the range of 60 – 100 m³/hr and, therefore, it is suitable both for sturdy and holiday swimmers. The unit should be installed in swimming pools of adequate size. For the optimum location of your counter-current unit a swimming pool specialist should be consulted.

Description

The AQUA-JET 100 hang counter-current unit may be operated in in-ground pools of any type (such as, e.g., plastic foil, polypropylene or glass-fibre swimming pools).

Water is sucked into the turbo-pump space through intake holes made in the rear part of the unit. The turbine pump drives the water through a chamber and a mixing nozzle back to the pool. The turbine pump should be turned ON or OFF using an air-operated pressure knob found on the machine front side. The water driven back to the pool may be aerated in the nozzle by sucking additional air in. Aeration may be turned ON, OFF, or controlled using a rotational controller. The immersed coloured light of the counter-current unit may be switched ON/OFF by a light switch.

Warning Symbols



Safety instructions given in this Operating Instruction and marked with this general warning symbol of danger shall be strictly observed, as any failure to observe of it may result in danger to the health and/or safety of people or damage to the environment.



Safety instructions, given in this document and marked with this general warning symbol of electrical hazard shall be strictly observed, as any non-observance of it may result in danger of electrical current accident. .

The employed safety signs and symbols comply with the requirements of ČSN ISO 3864 Standard.

Safety Instructions

All and any safety instructions given in this document shall be strictly observed without any exception!

This Operating Instruction comprises basic guidelines that shall be taken into account in installing, operating and maintaining the counter-current unit. That is why the user, as well as experts that might be invited to take part in professional installation of the unit, shall read this document very carefully.

Any failure to observe the safety instructions may threaten not only the health of involved persons, but can present an environmental hazard and the risk of equipment damage.

The unit shall not be operated, if any of its protective covers is not in place.

The counter-current unit is intended only for swimming and massages. If used for any other purpose or modified (no matter how) without manufacturer's previous consent, any warranty provided with the unit by its manufacturer and/or seller shall become void, as well as manufacturer's and/or seller's liability for product safety.

Persons performing professional installation of the unit shall possess relevant professional qualification in accordance with applicable electrical regulations (they shall be certified according to Decree 50/1978 Coll., Article 6).

Persons, who are to operate, maintain and inspect the unit, shall be informed within the scope of duties and responsibilities set out in this Operating Instruction. The equipment owner shall be responsible for equipment operation and maintenance as well as for full compliance with relevant safety instructions.

This equipment shall not be used by underage persons and persons with reduced physical, sensual or mental capabilities, if not instructed and are not acting under supervision of other responsible person. Persons not familiar with operation of the unit within the scope hereof and persons, whose abilities are reduced by drugs, narcotics, etc., and people of slow response shall not use the equipment!

Water level in the pool shall not be higher than 300 mm above the axis of the counter-current nozzle (see Fig. 1).

The temperature of pool water shall not exceed 35 °C.



Safety Guidelines for Installation and Maintenance

The equipment may be subject to any handling, maintaining or assembling/disassembling works only after has been disconnected from power mains!

Without any exception, the procedures prescribed for putting the equipment out of operation and given in this Operating Instruction shall be strictly adhered to.

Immediately after works have been completed on the equipment, all its protective and safety covers shall be installed back onto the counter-current unit body and secured against loosening.

In case the unit is to be started again, all the guidelines set out in the paragraph dealing with equipment re-starting shall be taken into consideration.

Any modification of or change in equipment design may be made only after being agreed upon with the manufacturer. Only genuine replacement parts authorised by the manufacturer may be used for any maintenance and repair works. Any use of unauthorized spare parts shall result in the loss of any warranty and refusal of claims for compensation.

Machine operational safety will be guaranteed only if all the terms and conditions set out in this Operating Instruction have been complied with.

Do not operate the machine, if it is incomplete or damaged. If it is the case, the unit has to be disconnected from mains and professionally repaired.

Do not step or sit on the machine or any of its parts.

The pool light shall not be turned on, if not completely immersed in water. Failing this, the light may either lose partially its illumination power or be even completely destroyed.

Transport and Storage

In order to prevent damage to the unit and loss of its particular parts, the unit should not be unpacked and removed from its original package (as delivered) earlier, than immediately before its installation.

The consignment includes:

- AQUA Jet 100 swimming pool counter-current unit
- Mounting plate for in-ground pools.

Counter-Current Unit Parameters

AQUA Jet 100

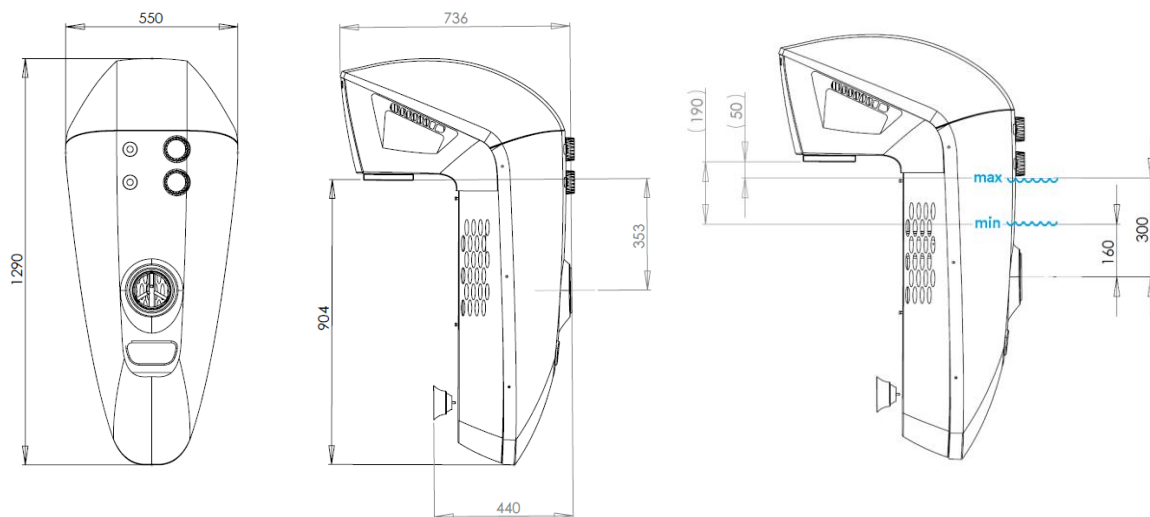


Fig. 1

Technical Specification

Supply voltage	single-phase 230 VAC/50 Hz
Pump power output	controllable, 100 m ³ /hr max.
Input power	1.1 kW
Control system	air-operated control
Overall weight	35 kg, approx.
IEC protection class	IP 14D



Installation

In order to provide for the correct operation of the counter-current machine its nozzle shall be immersed, but not more than 300 mm below the pool water level (see Fig. 1). The optimum position of the nozzle should be within the range of 170 – 290 mm below the pool water level. As it is not necessary to let air out from the pump body, the counter-current unit can be installed even in an empty pool, before filling the latter with water.



Counter-Current Unit Installation in a Full In-Ground Pool

The mounting plate, included in the delivery and attached to the lower cover of the counter-current machine, should be used for installing the unit in the pool.

Installation of the unit requires a concrete foundation plate to be built at the pool (of B30 grade concrete), whose upper surface should be 20 mm above the upper pool edge. In that configuration, the counter-current unit will fit onto the upper edge strip of the pool.

The upper counter-current unit cover should be removed before installation.

The counter-current machine should be installed so that its cylindrical part is located as close as possible to the pool wall or the pool edge strip.

The counter-current unit shall be attached to the pool body by means of M8-160 anchor bolts (Fig. 2) using a “chemical anchor” (consisting in two-pot resin-based mortar intended for attaching mechanical parts to mineral substrates). The bolts shall be run in concrete down to the depth of 138 mm. For safe connection wide washers (ID 8.2 mm) and self-locking nuts should be used. The abovementioned bolts, washers, nuts and other required materials are not included in the delivery.

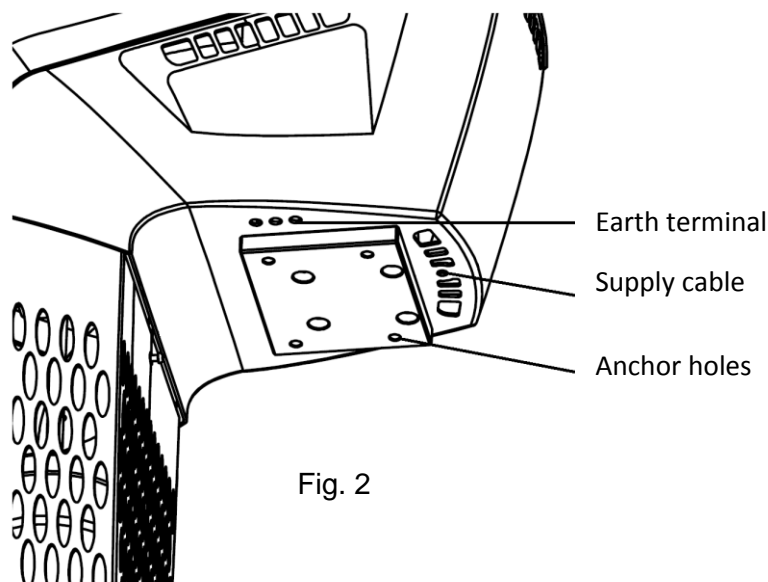


Fig. 2

Counter-Current Unit Wiring



The counter-current unit may be connected to the mains only after its body has been properly (mechanically) anchored to the pool. Connection to (or disconnection from) the power supply network may be carried out only by a duly qualified electrician (to Decree 50/1978 Coll., Art. 6) in compliance with applicable electrical regulations and standards, ČSN 33-2000-7-702 in particular.

AQUA Jet 100 Wiring Diagram (Fig. 3):

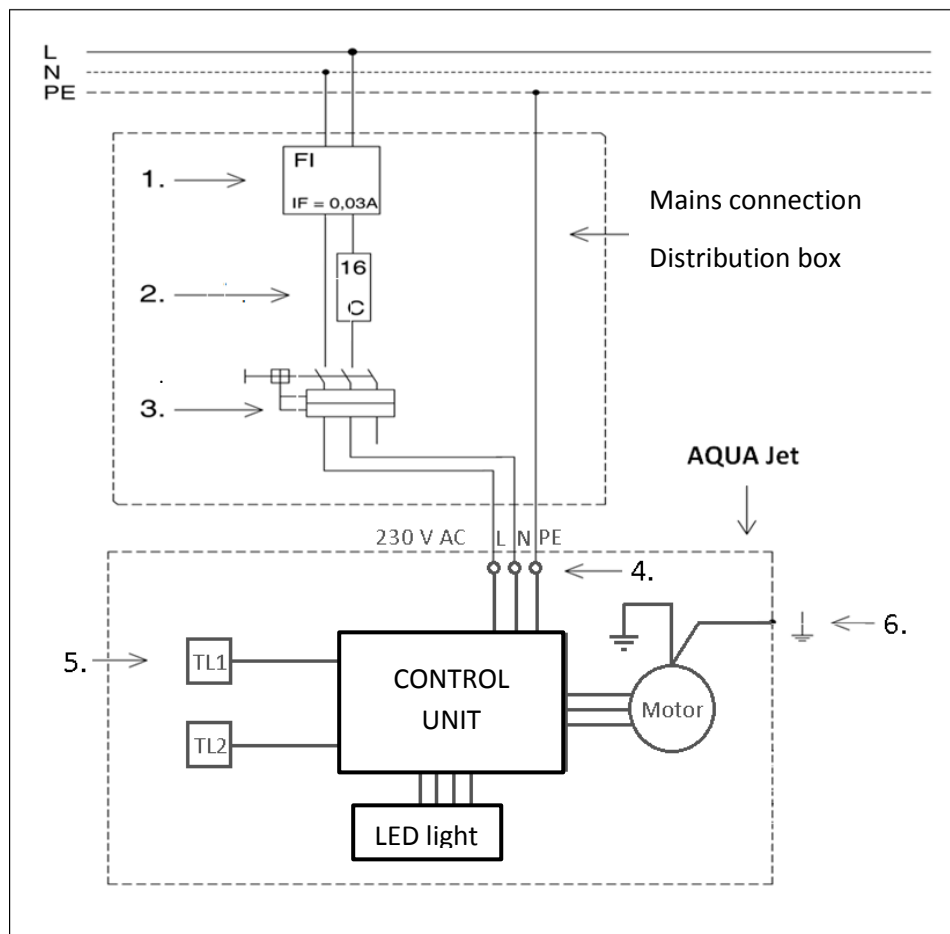


Fig.3

1. Residual current circuit breaker; IF=30mA
2. Circuit breaker 16A, C type
3. Motor starter; 6A to 10A
4. Terminal block connector
5. Counter-current air operated control
6. Earth terminal

NOTE: Items 1, 2 and 3 are not included in the delivery.



The counter-current unit shall be connected to the distribution network by means of the motor starter, fuse and residual current circuit breaker (as indicated in the wiring diagram in Fig. 3). Failure to instal any of those safety devices may result in (even fatal) electrical accident and represents a cause of general hazard. The concerned equipment shall be located outside of the pool protective zone (i.e. zones 0, 1 and 2 to ČSN 33 2000-7-702), including the areas found within the distance of 3.5 m from the pool wall, see Fig. 4.

The motor starter, fuse and residual current circuit breaker shall be placed in a lockable distribution box, well secured against any intervention of unauthorised persons.

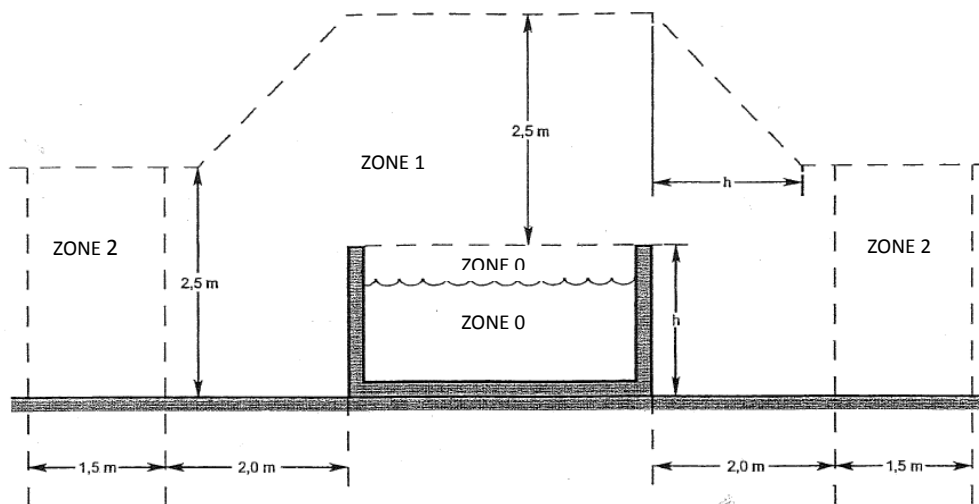


Fig. 4



The supply cable of the minimum wire cross section of 1.5 mm^2 shall be pulled through the grommet in the lower cover of the unit (see Fig. 2) In the box it shall be secured against pulling it out by routing it over the distribution box cable grommet. The supply cable shall be routed to the counter-current unit in a buried cable protecting tube, see Fig. 5.

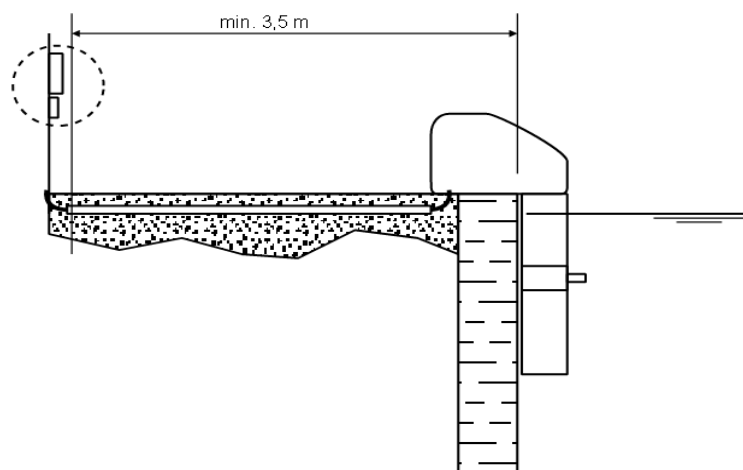


Fig. 5



The counter-current unit shall be earthed using a separate earth wire of the minimum cross-section of 2.5 mm^2 . Its lug should be connected to the earth terminal found in the lower part of the unit cover, as shown in Fig. 2. The earth wire shall be routed to the unit in the buried cable protector, together with the supply cable. On its other end the earth wire should be connected to the earth terminal in the distribution box.



Before connecting the unit to the supply network all protective covers and guards of the unit shall be put back to their positions and secured.



Putting the Unit into Operation and Its Control

After the counter-current unit has been mechanically fixed and connected to the mains and its safety covers have been replaced, it is ready for putting into operation.

The equipment should be switched ON and OFF using the main (power) switch (see Fig. 6).



CAUTION: During equipment operation the ventilation holes made in its cover shall not be covered.

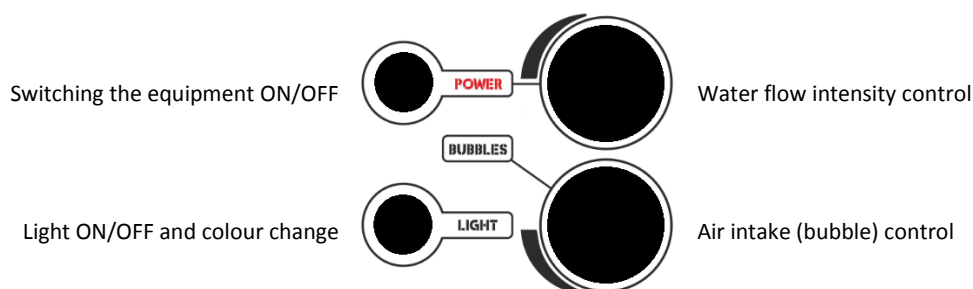


Fig. 6

After a longer operation time (several hours) at extraordinary high outdoor temperatures the counter-current machine may spontaneously go off. It is caused by a thermal fuse protecting its motor from overheating. After the motor has got cold, it will be possible to restart the machine again.

In case the counter-current unit will not be operated for a longer period, it is recommended the unit to be disconnected from mains using the motor starter.

Air Intake (Bubble Generation)

The control wheel of air intake is connected to three air intake nozzles by distribution pipes. By turning the control wheel the intake air inlet may be closed or opened as required.

Immersed Light Fitting

Light colour change is controlled using an air-operated switch, see Fig. 6. One can select out of the following 7 colours of light: white, blue, green, red, yellow, violet and turquoise.



Operation

Warning: Certain parts of the machine are made of steel. In spite that stainless steel is used predominantly, in connection with application of certain chemical agents (chlorine containing ones, in particular) the following precautionary measures are recommended and should be taken into consideration.

Chemical agents, if used, should be applied in correct amounts (doses). In particular, the agents should not be added in higher amounts than recommended. In case that chlorine containing agents are used, the levels of chlorine in pool water should be regularly measured and adjusted, if necessary. (A chlorine drop test kit is commercially available in Mountfield stores, e.g., may be used for the purpose.) **M&C of pool water acidity (pH value) represent other_important factor for maintaining pool water quality.**

Incorrect or negligent care of pool water and application of excessive dosage of chemicals may result in the corrosion of metal parts of the counter-current machine, the stainless steel ones inclusive. The most frequent causes of damage to machine metal parts are given herein below:

- 1) Metal parts of the machine are resistant to chlorine in water up to a certain Cl₂ concentration. However, higher, excessive chlorine levels may attack even stainless steel products and cause their corrosion.
- 2) Acidity (pH value) of pool water: (pH values within the range between 7.0 – 7.4 are deemed correct). Any change in pH value of water, particularly toward lower values, will result in its increased corrosiveness and possible corrosion of stainless materials.
- 3) Contents of dissolved salts – 0.5 % maximum.

When pool chemicals are added to and dissolved in pool water, the chemicals must not get in the counter-current unit. It is, therefore, recommended THE UNIT IS NOT TO BE USED for the time of such operations.

Further, before performing so-called “shock treatment” of pool water (using the agents of Azuro Chlor Šok G or Azuro Modrý blesk¹ type), it is recommended to remove the unit from the pool and wait until the chlorine level drops down to its correct value.



Maintenance & Storage in Winter Period

The operator shall provide that all maintenance, supervision and installation are carried out by persons, duly acquainted with this Operating Instruction.

Take due care of pool water purity to prevent the pump inlet strainer or even the pump body from fouling.

Check regularly the ventilation holes made in the counter-current cover for possible obstruction and remove any possible items or dirt that could restrict the free passage of air.

In case the equipment is not used or is left dry (e.g., in winter season), the motor starter has to be disconnected from its supply circuit, to prevent the motor from being accidentally switched on.

Check the equipment regularly for completeness and integrity of all covers and other components of the counter-current unit.

For winter season it is recommended the unit to be uninstalled, removed and stored in a dry area. However, it is also possible to let the unit installed outdoors, provided that no of its parts remains immersed in water.

When the swimming pool is filled with water again, or the unit is installed back to its place, the water inlet holes in the unit body shall be checked for free cross section.

The counter-current machine shall not be started without being immersed in water!

Liability for Defects

Provided that all the conditions of use have been met, as stipulated by the manufacturer in this document, the manufacturer shall provide the user with the extended period of liability for defects lasting 7 (seven) years. Other terms and conditions of manufacturer's liability for defects are set out in seller's warranty.

The service and replacement parts for the product shall be provided by Mountfield, a.s., through the network of their stores.

¹ “Azuro Chlorine Shock G” and “Azuro Blue Lightning” – transl. note.

Product Tests

This product, the AQUA Jet100 Swimming Pool Counter-Current Unit, does comply with the requirements of the following EU Directives and corresponding Governmental Orders as last amended: 2006/95/EC ("Low Voltage Directive") and relevant Governmental Order No. 17/2003 Coll., establishing technical requirements for low-voltage electrical equipment; 2004/108/EC (EMC Legislation Directive) and relevant Governmental Order No. 616/2006 Coll. establishing technical requirements for products in terms of their electromagnetic compatibility and 2011/65/EU (RoHS Directive) and relevant Governmental Order No.481/2012 Coll. on the restriction of the use of certain hazardous substances in electrical and electronic equipment;.

The product passed the tests carried out in the Engineering Institute of Testing (SZÚ) Brno (the SZÚ is the **EC Notified Body 1015**),

Die Pool Gegenstromanlage

AQUA JET 100

Installations-, Montage- und Betriebsanleitung



Für die Gesellschaft Mountfield a.s. wird das Produkt von Garsys s.r.o., Industriezone am Bergwerk František, Straße K Prádlu, 735 Horní Suchá, 735 35; Ursprungsland: Tschechische Republik, erzeugt.

Anwendung

Die Anlage ist für den Einsatz in privaten Schwimmbecken und Gartenbassins konzipiert und bestimmt. Es ist nicht für öffentliche Schwimmbäder und gewerblichen Gebrauch bestimmt.

Es ist notwendig, die Anweisungen in der Installations-, Montage- und Betriebsanleitung zu folgen, da besondere Anforderungen an die elektrischen in und um Schwimmbecken benutzten Anlagen gestellt werden.

Die Gegenstromanlage verfügt über eine von 60 bis 100 m³/h einstellbare Durchflussleistung, und ist deshalb sowohl für erfahrene als auch für Freizeitschwimmer geeignet. Die Anlage muss in Pools von entsprechender Größe installiert werden, über die Platzierung der Gegenstromanlage beraten Sie sich mit einem Poolexperten.

Beschreibung

Die Anhäng-Gegenstromanlage AQUA JET 100 kann in allen Arten von versenkten Pools (z.B. aus Folie, Polypropylen, Laminat-werkstoffen usw.) betrieben werden.

Im hinteren Teil der Anlage wird das Wasser über den Lufteinlass in den Raum der Turbine angesaugt. Von der Turbine wird das Wasser weiter durch eine Kammer und eine Mischdüse in den Pool zurückgeschoben. Die Pumpe wird mit einem pneumatischen an der Vorderseite der Anlage installierten Taster ein- und ausgeschaltet. Durch Umdrehen des Luftreglers kann die Luftansaugung in der Düse ein- und ausgeschaltet werden. Durch den Lichtschalter wird die variable Farbunterwasserlicht des Gegenstroms bedient.

Bezeichnung der Weisungen in der Bedienungsanleitung



Die in dieser Bedienungsanleitung angeführten Sicherheitshinweise, die, falls nicht eingehalten, zu Verletzungen führen können, werden durch die allgemeinen Symbole für Gefahr bezeichnet werden.



Die in dieser Bedienungsanleitung angeführten Sicherheitshinweise, die, falls nicht eingehalten, zu Verletzungen durch Stromschlag führen können, sind mit allgemeinen Symbolen für die Warnung vor Stromschlag markiert.

Die Sicherheitszeichen entsprechen der Norm ČSN ISO 3864.

Sicherheitshinweise

Alle Sicherheitshinweise in dieser Bedienungsanleitung müssen ohne Ausnahme beachtet werden!

Diese Bedienungsanleitung enthält grundlegende Hinweise, die bei der Installation, Betrieb und Wartung zu beachten sind. Daher müssen diese Bedienungsanleitung sowohl die Benutzer als auch die eingeladenen an der professionellen Installation beteiligten Experten durchlesen.

Die Nichtbeachtung der Sicherheitshinweise kann nicht nur zur Gefahr für die Gesundheit der Menschen, sondern auch zur Gefahr für die Umwelt und der Anlage selbst führen.

Die Anlage darf nicht ohne Abdeckungen betrieben werden.

Die Gegenstromanlage ist nur zum Schwimmen und Massagen bestimmt. Wenn sie für andere Zwecke verwendet wird, oder bei ihrem Umbau, der nicht vom Hersteller zugelassen wurde, erlöschen alle Gewährleistungsansprüche und Haftung der Hersteller oder Händler für die Produktsicherheit.

Personen, die die professionelle Installation der Anlage durchführen, müssen die berufliche Qualifikation gemäß den geltenden elektrotechnischen Vorschriften (mit Qualifikation gemäß der Verordnung Nr. 50/1978 Slg., § 6) erfüllen.

Die für den Betrieb, Wartung und Überwachung verantwortlichen Personen müssen im Rahmen dieser Bedienungsanleitung unterwiesen werden. Für die Bedienung und Wartung der Anlage und für Einhaltung der Sicherheitsvorschriften entspricht der Eigentümer der Anlage.

Die Anlage ist nicht für die Nutzung durch Minderjährige oder Personen mit eingeschränkten physischen, sensorischen oder geistigen Fähigkeiten bestimmt, wenn sie nicht durch eine verantwortliche Person beaufsichtigt werden und solange sie mit einer Unterweisung nicht vorgesehen wurden. Die Anlage darf nicht von den Menschen verwendet werden, die mit ihrem Betrieb im Rahmen dieser Bedienungsanleitung nicht vertraut wurden, und weiter von Personen, die unter einem Einfluss von Arzneien, Betäubungsmitteln sind und von Personen mit verringerter Fähigkeit zu schneller Reaktion.

Der Wasserspiegel im Pool darf 300 mm über der Achse der Gegenstromdüse nicht überschreiten (siehe Abb. 1).

Die Temperatur vom Poolwasser darf 35 ° C nicht übersteigen.



Die Sicherheitshinweise für die Installation und die Wartung

Behandlung mit der Anlage, die Wartungsarbeiten durchführen oder Montage ist nur dann möglich, wenn die Anlage vom Netz getrennt ist!

Das in dieser Bedienungsanleitung beschriebene Verfahren für Stillsetzen der Anlage muss unbedingt eingehalten werden.

Unmittelbar nach Abschluss der Arbeiten müssen alle Sicherheits- und Schutzabdeckungen zurück zum Körper der Anlage angebracht werden und gegen Trennung gesichert werden.

Vor der Wiederinbetriebnahme der Anlage ist es notwendig, alle im Absatz für die Inbetriebnahme angeführten Anweisungen zu folgen.

Ein Umbau oder Veränderungen der Anlage sind nur nach Rücksprache mit dem Hersteller zulässig. Zum Austausch können nur originale vom Hersteller zugelassene Ersatzteile verwendet werden. Verwendung von nicht zugelassenen Teilen führt zum Verlust jeglicher Schadensersatzansprüche.

Die Betriebssicherheit des Gerätes ist nur bei Einhaltung aller in der Bedienungsanleitung festgelegten Bedingungen gewährleistet.

Betreiben Sie eine unvollständige oder beschädigte Anlage nicht. Falls ein Teil fehlt oder beschädigt ist, trennen Sie das Gerät vom Stromnetz und lassen Sie es reparieren.

Weder auf das Gerät, noch auf seine Teile, ist nicht erlaubt, zu steigen oder zu sitzen.

Das Pool Licht darf nicht eingeschaltet werden, wenn es nicht vollständig im Wasser eingetaucht ist. Es kann zum Verlust seiner Intensität bzw. zu seiner völligen Zerstörung führen.

Transport und Lagerung

Um Schäden und Verluste der einzelnen Komponenten zu vermeiden, kann die Originalverpackung erst unmittelbar vor der Montage aufgemacht werden.

Packungsinhalt

- Die Pool Gegenstromanlage AQUA Jet 100
- Montageplatte für versenkte Pools

Grundparameter der Gegenstromanlage

AQUA Jet 100

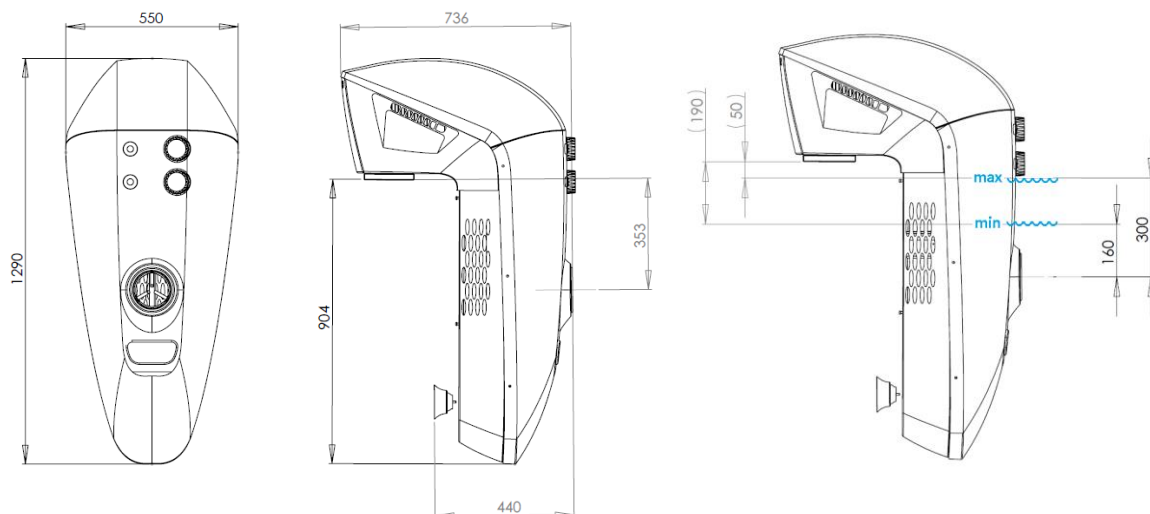


Abb. 1

Technische Daten

Spannung	einphasig 230 V, 50 Hz
Durchflussleistung	~ 100 m ³ /h
Leistung	1,1 kW
Bedienung	pneumatische
Gewicht	ca. 35kg
Schutzart	IP 14D



Montage

Für den korrekten Betrieb der Gegenstromanlage ist es notwendig, dass die Gegenstromdüse am niedrigsten 300 mm unterhalb des Wasserspiegels im Pool eingetaucht wäre (siehe Abb. 1). Der optimale Bereich der Eintauchtiefe der Düse unter dem Wasserspiegel liegt zwischen 170 bis 290 mm. Bei der Installation der Gegenstromanlage in einen Pool ist es nicht erforderlich, die Luft aus dem Pumpengehäuse zu entladen. Daher ist es möglich, die Gegenstromanlage in einen noch nicht gefüllten Pool zu installieren.



Installation der Gegenstromanlage in einen völlig versenkten Pool

Zur der Installation wird die im Lieferumfang inbegriffene Grundplatte verwendet. Sie ist auf dem Bodendeckel der Gegenstromanlage montiert.

Für die Montage ist es notwendig, eine Betongrundplatte (Beton B30) bei dem Pool aufzubauen, die 20 mm unter dem Niveau des Beckenrands sein muss. Die Gegenstromanlage wird dann an der oberen Leiste des Pools eingerichtet werden.

Vor der Installation ist es notwendig, die obere Abdeckung der Gegenstromanlage zu entfernen.

Die Gegenstromanlage wird mit dem Zylinder-Tubus möglichst nahe an der Wand oder Randleiste des Pools aufgesetzt.

Die Verankerung der Gegenstromanlage wird mit Ankerbolzen M8-160 (Abb. 2) durch chemischen Dübel (ein Zweikomponenten-Harzmörtel für Fixierung von mechanischen Teilen zum mineralischen Untergrund) durchgeführt. Die Schraubensenktiefe ist 138 mm. Zu der Sicherung ist es notwendig, 8,2 mm breite Unterlegscheiben und selbstsichernde Muttern M8 zu verwenden. Weder Schrauben noch andere Materialien sind inbegriffen.

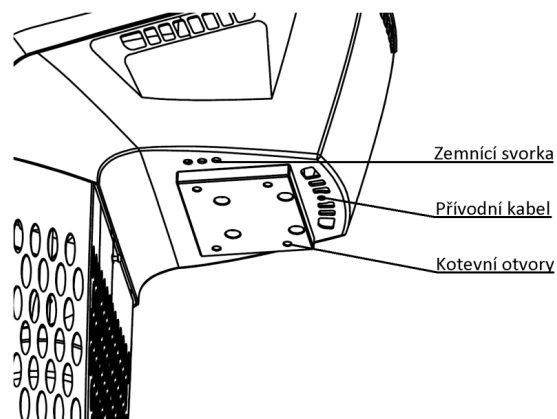


Abb. 2

Elektrische Einbindung der Gegenstromanlage



Die Gegenstromanlage kann an das Stromnetz angeschlossen werden, erst nach einer richtigen mechanischen Verankerung ihrer Körper. Anschluss an das Stromnetz (beziehungsweise Abschluss) kann nur von einem Fachmann in Übereinstimmung mit den geltenden elektrotechnischen Vorschriften und Normen, insbesondere mit der Norm CSN 33-2000-7-702 (mit der Qualifikation gemäß Verordnung Nr. 50/1978 Slg., § 6) durchgeführt werden.

Elektrisches Anschlussschema AQUA Jet 100 (Abb. 3):

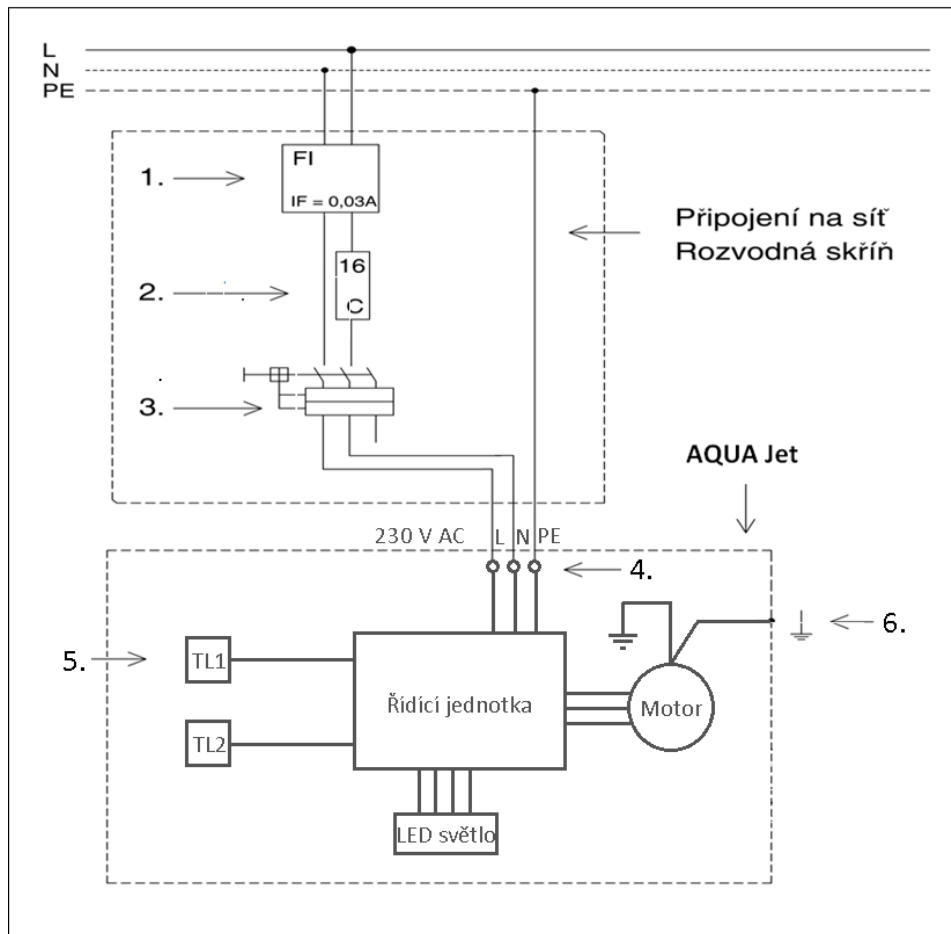


Abb. 3

7. Fehlerstromschutzschalter IF=30mA
8. Sicherungsschalter 16A , Charakteristik C
9. Motoranlasser 6A bis 10A
10. Anschlussklemmbrett
11. Pneumatische Bedienung der Gegenstromanlage
12. Erdungsklemme

Bemerkung: Posten 1, 2 und 3 sind nicht inbegriffen



Die Gegenstromanlage muss an das Stromnetz durch den Motoranlasser, die Sicherung und den Fehlerstromschutzschalter angeschlossen werden (siehe das Anschlussschema – Abb. 3). Die Nichtaufnahme von diesen Sicherheitselementen kann die Lebens- und Gemeingefährdung verursachen. Diese Anlagen müssen sich außerhalb der Poolschutzzone (Zone 0, 1 und 2) befinden, siehe CSN 33 2000-7-702, die 3,5 m von der Wand des Pools festgelegt ist, siehe Abb. 4.

Der Motoranlasser, die Sicherung und der Fehlerstromschutzschalter müssen in einem verschließbaren Verteilungskasten platziert werden, gegen das Eindringen von Unbefugten gesichert.

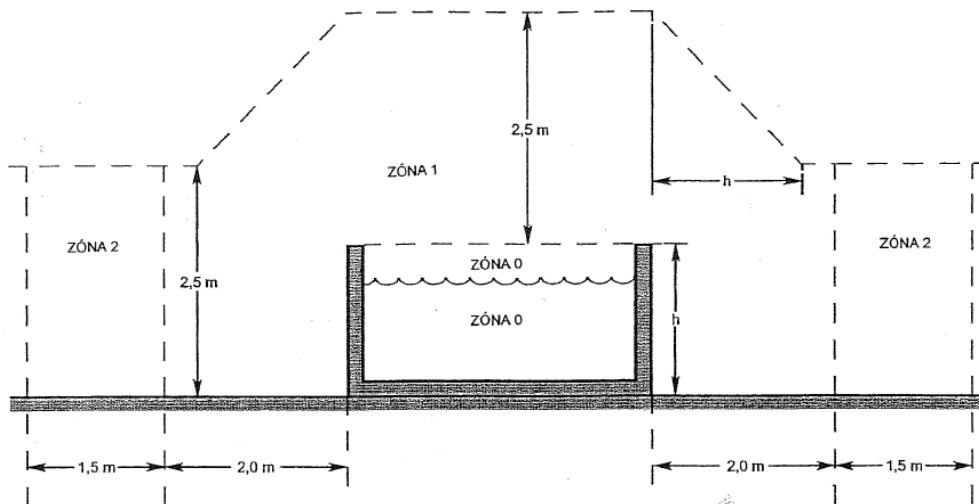
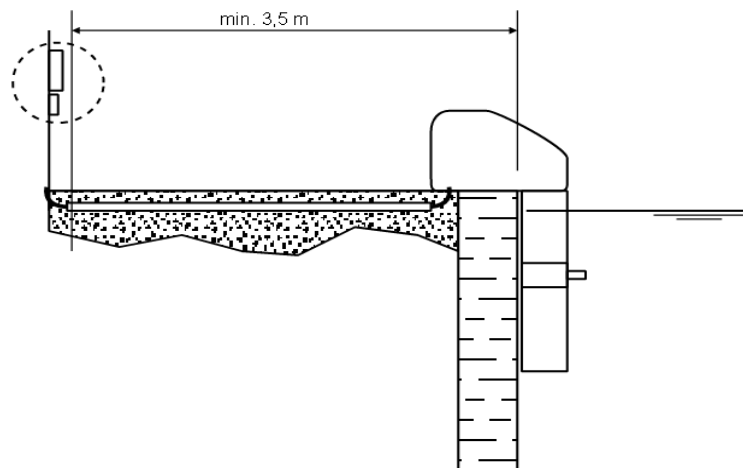


Abb. 4



Das Netzkabel mit dem Mindestquerschnitt von $1,5\text{ mm}^2$, muss durch die Kabeldurchführung in der unteren Abdeckung der Gegenstromanlage durchgesteckt werden, siehe Abb. 2. In dem Verteilungskasten muss das Kabel gegen Herausziehen gesichert werden. Auf dem Weg zur Gegenstromanlage muss das Kabel in einem Kabelrohr geführt werden, siehe Abb. 5.



Obr.5



Die Gegenstromanlage muss mit einem Erdungskabel von $2,5\text{ mm}^2$ geerdet werden. Der Erdungsanschluss wird zu der Erdungsklemme montiert, die sich an der Unterseite der Abdeckung der Gegenstromanlage befindet, siehe Abb. 2. Der Schutzleiter muss separat in einem Kabelrohr zusammen mit dem Zuleitungskabel geführt werden. Das Erdungskabel muss an den Erdungsanschluss des Verteilungskastens angeschlossen werden.



Vor dem Anschluss an Stromnetz müssen alle Abdeckungen der Gegenstromanlage an den ursprünglichen Platz zurückgebracht werden!



Inbetriebnahme und Bedienung

Nach der mechanischen Verankerung, Vernetzung und Wiedermontage der Abdeckungen ist die Anlage für die Inbetriebnahme bereit.

Die Anlage wird mit dem Hauptschalter nach Abb. 6 ein- und ausgeschaltet.



WARNUNG: Während des Betriebs der Gegenstromanlage bedecken Sie die Lüftungsöffnungen in ihrem Gehäuse nicht.

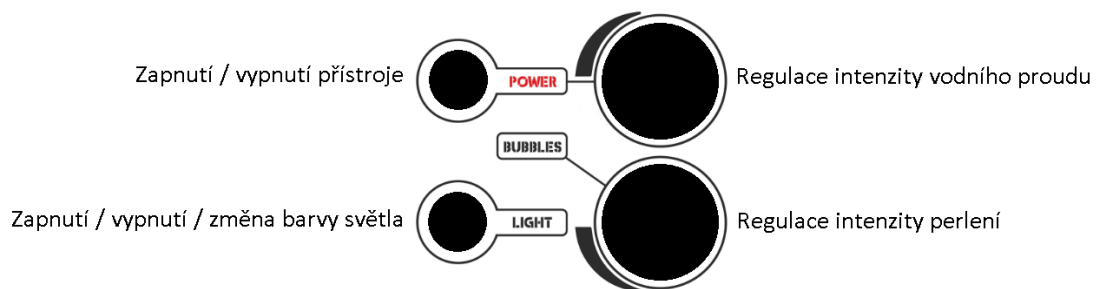


Abb. 6

Bei extremen Außentemperaturen kann nach längerem Gebrauch (für mehrere Stunden) zu einer spontanen Abschaltung der Gegenstromanlage kommen. Es wird von der thermischen Sicherung verursacht, die den Motor vor Überhitzung schützt. Nach dem Motorabkühlen kann die Anlage wieder eingeschaltet werden.

Im Falle eines längeren Nichtgebrauchs der Gegenstromanlage wird es empfohlen, die Anlage vom Stromnetz mit dem Motoranlasser abzutrennen.

Lufteinlass (Sprudeln)

Das Einstellrad für Lufteinlass ist durch Verteilungen an drei Ansaugdüsen angeschlossen. Durch Umdrehen des Einstellrades kann die Luftansaugung ein- und ausgeschaltet werden.

Unterwasserbeleuchtung

Das Licht wird durch einen pneumatischen Schalter bedient, siehe Abb. 6. Sie können zwischen den folgenden Farben der Erleuchtung wählen: weiß, blau, grün, rot, gelb, lila und türkis.



Betrieb

Bitte beachten Sie: Einige Teile der Gegenstromanlage sind aus Stahl erzeugt. Obwohl sie überwiegend aus rostfreiem Stahl sind, ist es notwendig, im Zusammenhang mit der Verwendung von Chemikalien (insbesondere Chlorpräparaten) einige unten genannte Anweisungen zu folgen.

Bei der Verwendung von chemischen Zubereitungen sollte ihre korrekte Dosierung beachtet werden, insbesondere ist ihre Verwendung in übermäßigen Mengen zu vermeiden! Bei der Verwendung von Chlorzubereitungen wird empfohlen, **den Gehalt an Chlor im Poolwasser regelmäßig zu messen und seine Menge zu kontrollieren.** / Für die Chlormessung können beispielsweise Tropfen-Tester benutzt werden, die in jeder Mountfield-Filiale erhältlich sind. / **Ein weiterer wichtiger Faktor ist die Kontrolle des pH-Werts vom Poolwasser.**

Eine unsachgemäße Pflege des Poolwassers und die Verwendung von übermäßigen Mengen von Chemikalien können zur Korrosion von Metallteilen der Gegenstromanlage sogar auch derjenigen aus rostfreien Materialien führen! Im Folgenden sind die häufigsten Ursachen angeführt, die die Metallteile der Gegenstromanlage beschädigen können:

- 4) Der Chlorspiegel – die Metallteile sind gegen eine bestimmte Konzentration von Chlor beständig, aber wenn die Chlorkonzentration übermäßig ist, kann es zur Korrosion auch bei Edelstahl-Materialien kommen.
- 5) Der pH-Wert des Poolwassers - der richtige pH-Wert liegt zwischen 7,0 und 7,4. Jede Änderung, vor allem die Verminderung des pH-Werts, verursacht die Aggressivität des Wassers und bewirkt die Korrosion auch gegenüber Edelstahl.
- 6) Der Gehalt an gelösten Salzen - max. 0,5%.

Bei der Dosierung und Auflösung der Pool-Produkte im Beckenwasser darf die dosierte Chemikalie nicht in die Gegenstromanlage gelangen. Es ist empfohlen die Gegenstromanlage NICHT ZU VERWENDEN.

Vor der Durchführung der Schockbehandlung des Poolwassers (z.B. mit einem Produkt des Typs Azuro Chlor Shock G oder Azuro Blauer Blitz) empfehlen wir die Gegenstromanlage aus dem Pool zu demontieren und warten, bis der Chlorgehalt sinkt auf das richtige Niveau.



Wartung, Überwintern

Der Betreiber muss sicherstellen, dass alle Wartungs-, Überwachungs- und Montagearbeiten von Menschen, die diese Betriebsanleitung gründlich studiert haben, durchgeführt werden.

Sorgen Sie um die Sauberkeit des Poolwassers, damit die Saugabdeckung oder sogar das Pumpengehäuse nicht verstopft wird.

Überprüfen Sie regelmäßig die Durchgängigkeit der Abluftöffnungen in der Gegenstromabdeckung und entfernen Sie eventuelle Ablagerungen, die die freie Luftzirkulation verhindern könnten.

Wenn die Anlage nicht verwendet oder ohne Wasser verlassen ist (z.B. wenn überwintert), muss die Stromversorgung des Motoranlassers ausgeschaltet werden, um ein unbeabsichtigtes Einschalten zu vermeiden.

Kontrollieren Sie regelmäßig die Vollständigkeit und Unversehrtheit von Abdeckungen und anderen Komponenten der Gegenstromanlage.

Für die Überwinterung sollte die Anlage demontiert und in einer trockenen Umgebung gelagert werden. Es ist möglich die Anlage draußen installiert zu lassen, aber nur unter der Bedingung, dass kein ihr Teil im Wasser getaucht bleibt.

Beim Pool-wiederfüllen oder bei der Montage von der Gegenstromanlage überprüfen Sie die Durchgängigkeit der Bewässerungslöcher der Pumpe.

Wenn nicht im Wasser eingetaucht, darf die Gegenstromanlage nicht eingeschaltet werden.

Haftung für Mängel

Unter der Voraussetzung, dass alle in dieser Bedienungsanleitung angegebenen Bedingungen bezüglich die Art der Produktverwendung eingehalten sind, gewährt der Hersteller eine verlängerte Mängelhaftungszeit in der Dauer von 7 Jahren. Andere Bedingungen der Mängelhaftung sind in dem Garantieschein des Verkäufers angeführt.

Service und Ersatzteile sind von der Firma Mountfield gewährleistet.

Produktprüfungen

Das Produkt – die Gegenstromanlage AQUA Jet100 ist in der Übereinstimmung mit den Anforderungen der folgenden europäischen Richtlinien (staatlichen Regulierungen) in der jeweils geltenden Fassung: 2006/95/EG (Regierungsverordnung Nr. 17/2003 Slg., über die technischen Anforderungen an Produkte in Bezug auf elektrische Niederspannungsanlagen), 2004/108/EG (Regierungsverordnung Nr. 616/2006 Slg., über die technischen Anforderungen an Produkte in Bezug auf ihre elektromagnetische Verträglichkeit) und 2011/65/EU (Regierungsverordnung Nr. 481/2012 Slg., über die Beschränkung der Verwendung von bestimmten gefährlichen Stoffen in Elektro- und Elektronikgeräten).

Das Produkt wurde in der Prüfanstalt der Maschinenbauindustrie in Brno getestet.

Texty k obrázkům:

Abb. 2

- Erdungsklemme
- Zuleitungskabel
- Ankerlöcher

Abb. 3

- Anschluss an das Stromnetz
- Verteilungskasten
- AQUA Jet
- Steuerungseinheit
- Motor
- LED Licht

Abb. 4

- ZÓNA -> Zone

Abb. 6

- Ein- / Ausschaltung der Anlage
- Ein- / Ausschaltung / Änderung der Lichtfarbe
- Steuerung der Wasserstromintensität
- Steuerung der Sprudelnintensität

Противоток для бассейна

AQUA JET 100

Инструкция по установке, монтажу и обслуживанию



Общая информация

версия 2 / май 2015

Фирма ООО «Garsys» производит для АО «Mountfield» в промышленной зоне «Франтишек» на территории бывшей шахты по адресу: 735 35 Горни Суха, ул. К Прадлу; страна происхождения: Чешская Республика.

Использование

Устройство сконструировано и предназначено для эксплуатации в плавательных и частных бассейнах в садах. Оно не предназначено для открытых бассейнов общественного пользования и коммерческого использования.

Необходимо руководствоваться правилами в инструкции по установке, монтажу и эксплуатации, так как к электрическим устройствам, используемым в бассейнах, и к их окружению выдвигаются особые требования.

Производительность противотока регулируется в пределах от 60 до 100 м³/час., т.е. рекомендуется для опытных пловцов и пловцов-отдыхающих. Устройство необходимо установить в бассейн соответствующего размера, с расположением противотока надо проконсультироваться со специалистом по бассейнам.

Описание

Подвесной противоток AQUA JET 100 может эксплуатироваться во всех типах заглубленных бассейнов (например, пленочных, полипропиленовых, ламинатных и др.).

С помощью задней части корпуса вода через всасывающие отверстия всасывается в пространство турбины. Вода от турбины через камеру и смесительное сопло далее направляется обратно в бассейн. Включение и выключение насоса осуществляется с помощью пневматической кнопки, вмонтированной в переднюю панель устройства. Поворотом регулятора воздуха возможно включение и выключение подсоса воздуха в сопле. Выключателем подсветки можно регулировать изменение цвета подводного освещения противотока.

Обозначение правил в инструкции



Правила техники безопасности, приведенные в данной инструкции, при которых несоблюдение может создать опасность здоровью людей, обозначены общими символами опасности



Правила техники безопасности, приведенные в данной инструкции, при несоблюдении которых может возникнуть опасность поражения людей электрическим током, обозначены общими символами для предупреждения поражения электрическим током.

Знаки безопасности соответствуют норме ЧСН ИСО 3864.

Правила техники безопасности

Без исключения необходимо соблюдать все правила по безопасности, перечисленные в данной инструкции!

Настоящая инструкция по эксплуатации содержит основные правила, которые необходимо соблюдать при установке, эксплуатации и обслуживании. Поэтому настоящая инструкция должна быть изучена пользователем и приглашенными специалистами, принимающими участие в профессиональном монтаже оборудования.

Несоблюдение правил техники безопасности может повлечь за собой не только угрозу здоровью людей, но также создать опасность для окружающей среды и самого оборудования.

Устройство не может эксплуатироваться без кожухов.

Противоток предназначен только для плавания и массажа. При его использовании для других целей или при переделке, на которую не было выдано разрешение производителем, утрачивают силу любые гарантийные претензии и ответственность изготовителя или поставщика за безопасность устройства.

Лица, осуществляющие профессиональный монтаж устройства, должны обладать соответствующей профессиональной квалификацией в соответствии с действующими электротехническими правилами (с квалификацией в соответствии с §6 постановления 50/1978 Сб.).

Лица, обеспечивающие техобслуживание и надзор, должны быть проинструктированы в объеме настоящей инструкции. За обслуживание, ремонт и соблюдение правил техники безопасности отвечает владелец устройство.

Устройство не предназначено для использования несовершеннолетними лицами или людьми со сниженными физическими, чувственными или душевными способностями, если у них не обеспечивают контроль и инструктаж ответственным лицом. Устройство не должны использовать лица, которые не ознакомлены с обслуживанием в объеме настоящей инструкции, лицам, находящимся под воздействием лекарственных препаратов, наркотических средств и со снижением способностью быстрой реакции.

Высота уровня воды в бассейне не должна превышать 300 мм над осью сопла противотока (см. рис 1).

Температура воды в бассейне не должна превышать 35 °С.



Правила техники безопасности для техобслуживания и монтажа

Манипулировать с устройством, выполнять техническое обслуживание или монтажные работы возможно только при отключении устройство от электрической сети!

Безоговорочно должен соблюдаться порядок при выводе устройства из эксплуатации, описанный в данной инструкции.

Сразу после завершения работ все защитные и предохранительные кожухи должны быть снова установлены на корпус противотока, и зафиксированы от разъединения.

Перед повторным вводом устройства в эксплуатацию необходимо следить за соблюдением всех правил, приведенных в абзаце, касающегося ввода устройства в эксплуатацию.

Переделка или изменения в устройстве допускаются только после согласования с производителем. Для замены надо пользоваться только оригинальными запасными частями,

авторизованными производителем. Использование несогласованных запасных частей приводит к утрате каких-либо претензий на возмещение ущерба.

Эксплуатационная безопасность оборудования гарантируется только при соблюдении всех правил, указанных в инструкции по эксплуатации.

Не эксплуатируйте некомплектное или поврежденное устройство. Если любая его часть отсутствует или если она повреждена, то устройство отключите от электрической сети, и сдайте его в ремонт.

На устройство или на его части запрещается наступать или садиться.

Освещение бассейна запрещается включать, если оно полностью не погружено в воду. В результате этого может произойти потеря яркости или его полного уничтожение.

Транспортировка и складирование

Чтобы избежать повреждений и потерь отдельных компонентов, оригинальная упаковка может быть распакована непосредственно только перед монтажом.

Содержимое упаковки

- Противоток бассейна AQUA Jet100
- Монтажная панель для заглубленных бассейнов

Основные параметры противотока

AQUA Jet 100

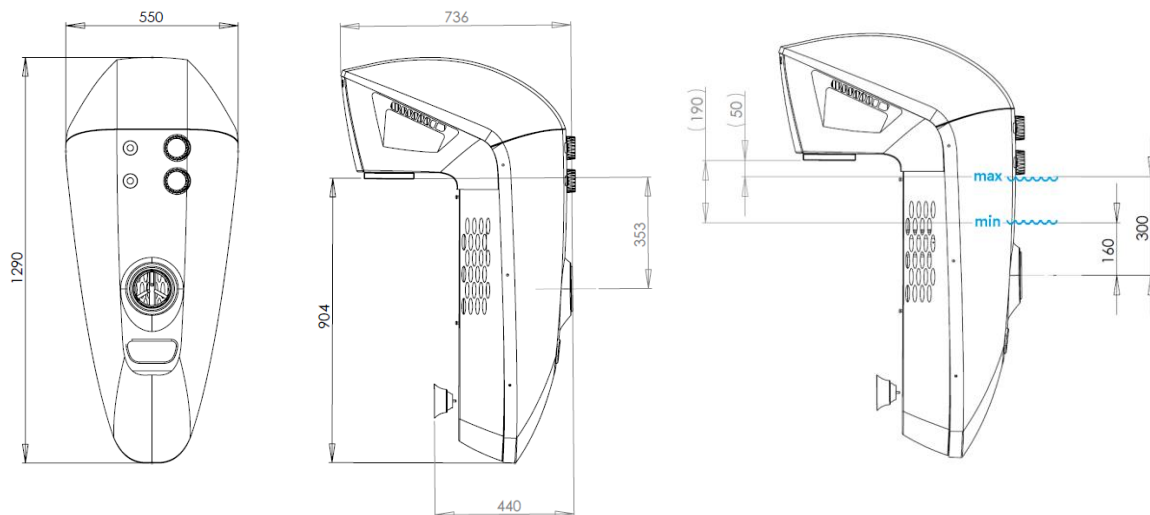


рис. 1

Технические данные

Напряжение	однофазное 230 В, 50 Гц
Расход воды насосом	~ 100 м ³ /час.
Производительность	1,1 кВт
Регулировка	пневматическая
Масса	прибл. 35 кг
Степень защиты	IP 14D

Монтаж

Для правильного функционирования противотока необходимо, чтобы сопло противотока было погружено минимально на 300 мм ниже уровня воды в бассейне (см. рис 1). Оптимальный предел глубины погружения сопла ниже уровня водной поверхности между равен 170 – 290 мм. При установке противотока в бассейн не обязательно выпускать воздух из корпуса насоса. Поэтому противоток можно установить и в еще незаполненный водой бассейн.

Монтаж противотока в полностью заглубленном бассейне

Для монтажа используется опорная плита, которая является составной частью поставки и установлена на нижней крышке противотока.

Для монтажа необходимо у бассейна фундаментную сделать бетонную плиту (бетон В30), который должна быть на 20 мм ниже кромки бассейна. Противоток, таким образом, будет установлен на верхней рейке бассейна.

Перед монтажом необходимо снять верхнюю крышку противотока.

Противоток цилиндрическим тубусом устанавливается как можно ближе к стенке или рейке бассейна.

Крепление противотока осуществляется с помощью анкерных болтов М8-160 (рисунок 2), с помощью химического анкера (двухкомпонентная смола для прикрепления механических частей к минеральному основанию). Глубина заглубления болтов равна 138 мм. Для фиксирования необходимо использовать широкие шайбы 8,2 мм и самофиксирующие гайки М8. Болты и другие материалы не являются составной частью поставки.

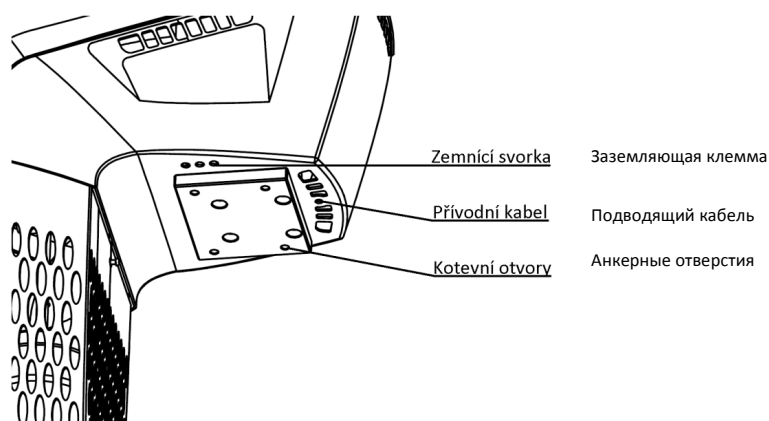


рис. 2

Электрические схемы противотоков



Противотоки можно подключить к электрической сети только после соответствующего механическое прикрепление корпуса противотока. Подключение к электросети (или же отключение) может выполнять только квалифицированный специалист в соответствии с действующими электротехническими правилами и стандартами, прежде всего, со стандартом ЧСН 33-2000-7-702 (с квалификацией в соответствии с §6 постановления 50/1978 Сб.).

Электрическая схема подключения AQUA Jet 100 (рис.3):

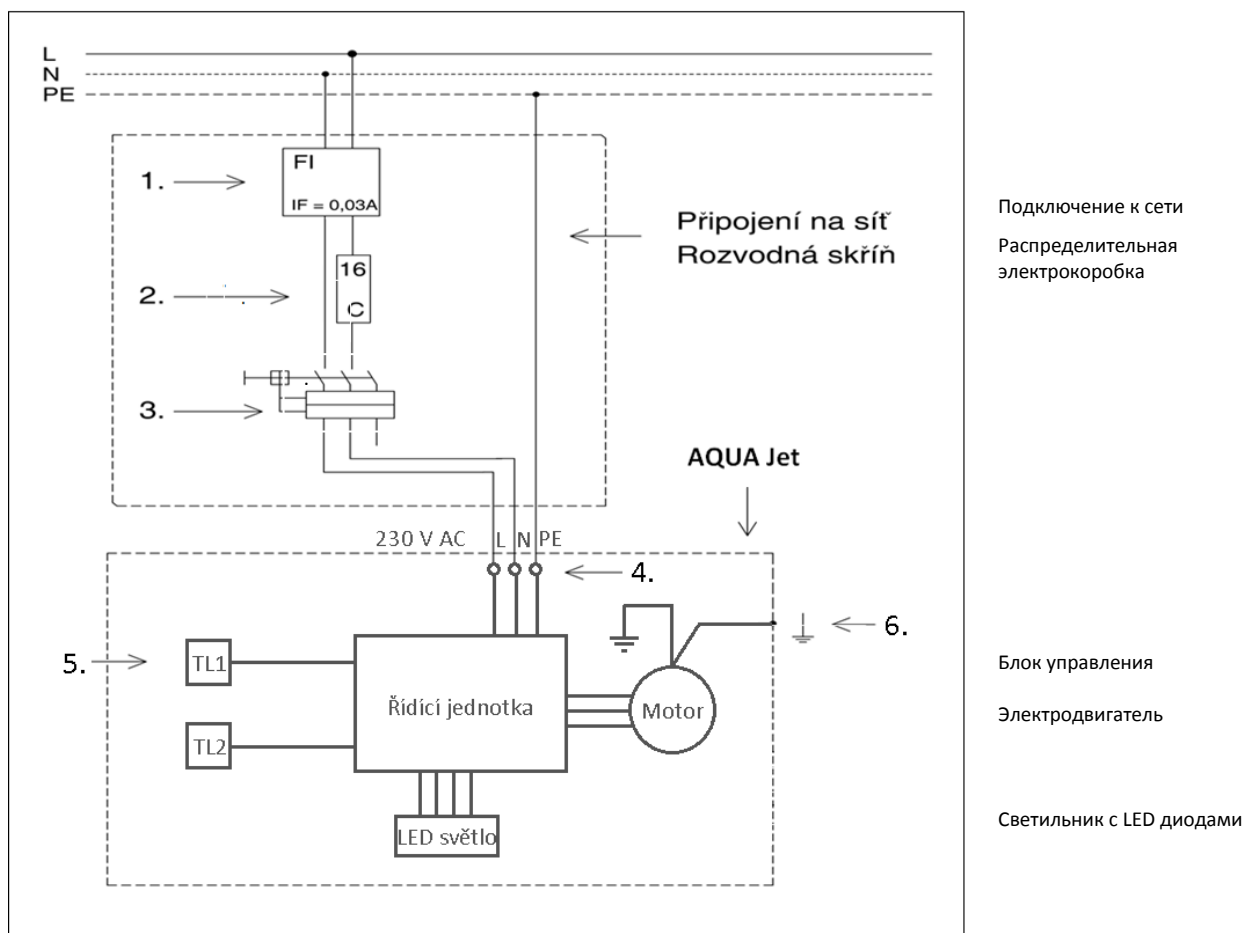


Рис.3

13. Предохранительный выключатель тока IF=30мА
14. Защитный электрический автомат 16А , характеристика «С»
15. Механическое пусковое устройство от 6А до 10А
16. Присоединительный клеммник
17. Пневматическая регулировка противотока
18. Заземляющая клемма

Примечание: позиции 1,2 и 3 не являются составной частью поставки противотока.



Противотоки необходимо подключиться к электросети с помощью механического пускового устройства, предохранителей и предохранительного выключателя тока (см. схему подключения, рис 3). Если не включить эти предохранительные компоненты, то может возникнуть угроза жизни и общие угрозы. Эти устройства должны размещаться за пределами защитной зоны бассейна (зоны 0, 1 и 2) - см. ЧСН 33 2000-7-702 - ширина этой зоны от стенки бассейна установлена на 3,5 м - см рис 4.

Механическое пусковое устройство, предохранитель и предохранительный выключатель тока должны быть размещены в закрываемом распределительном шкафу, который имеет защиту от проникновения посторонних лиц.

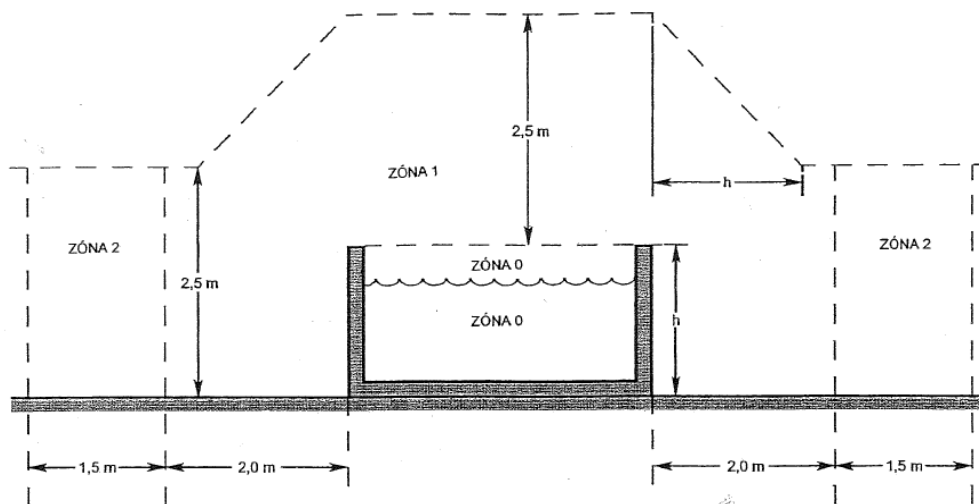


рис. 4

Подводящий кабель с минимальным сечением 1,5мм² необходимо протянуть через кабельный проходной изолятор в нижнем корпусе противотока - см. рис 2. В коробке он должен быть зафиксирован от выдергивания путем его протягивания через кабельный проходной изолятор распределительной коробки. По трассе к противотоку кабель должен прокладываться в кабельной защитной втулке - см. рис 5.

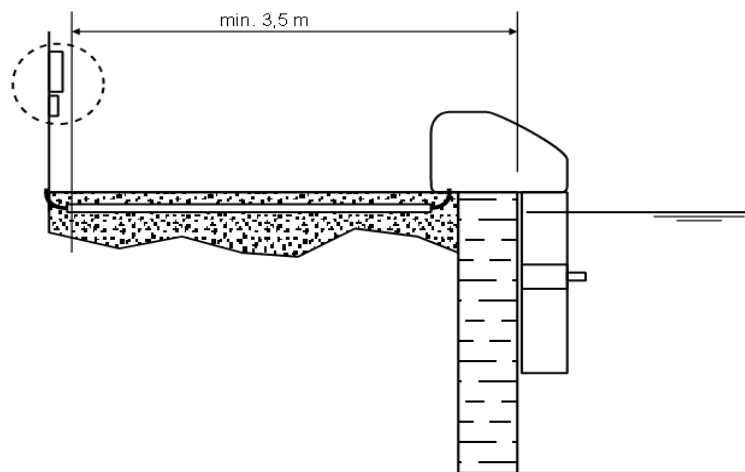


рис.5

Противоток должен быть заземлен с помощью заземляющего кабеля 2,5 мм². Заземляющая петля прикрепляется к заземляющей клемме, которая расположена в нижней части кожуха противотока – см. рис. 2. Заземляющий провод должен вестись самостоятельно в кабельной втулке вместе с подводящим кабелем. Заземляющий кабель надо присоединить к клемме заземления распределительной электрокоробке.



Перед подключением к электросети надо установить все кожухи на первоначальное место!



Ввод в эксплуатацию и управление

После механического крепления, подключения к электросети и повторной установке кожухов считается, что устройство подготовлено к вводу в эксплуатацию.

Устройство включается и выключается с помощью главного выключателя согласно рис.6.



ВНИМАНИЕ: Во время эксплуатации противотока не закрывайте вентиляционные отверстия в кожухе противотока.

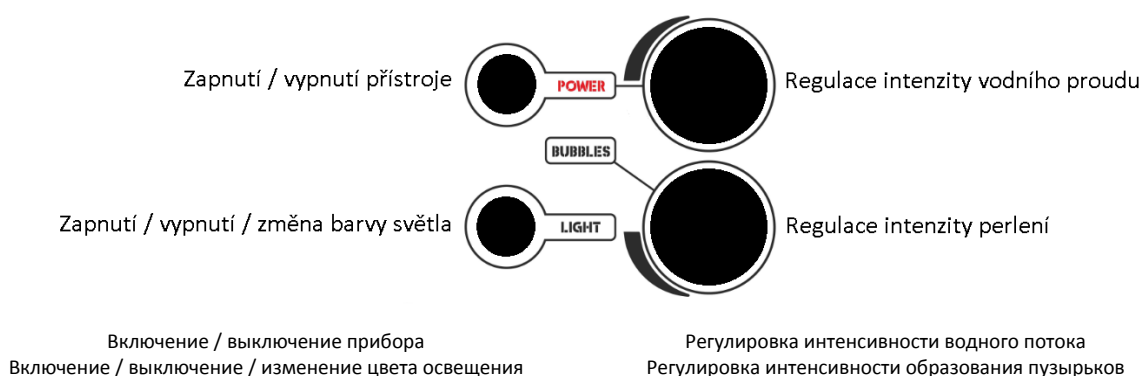


рис.6

В случае экстремальных уличных температур может произойти в результате длительной эксплуатации (несколько часов) самостоятельное отключение противотока - это вызывает тепловой предохранитель, который защищает электродвигатель от перегрева. После охлаждения электродвигателя устройство можно снова включить.

В случае если противоток длительное время не использовался, то рекомендуется отключить противоток от электросети с помощью механического пускового устройства.

Подсос воздуха (образование пузырьков)

Управляющее колесико для подсоса воздуха распределительным механизмом подключено к 3-м подсасывающим соплам. Поворотом управляющего колесика для подсоса воздуха Вы можете открыть или закрыть подвод подсасываемого воздуха.

Подводный светильник

Светильник управляется с помощью пневматического выключателя – см. рис. 6. Выбор можно сделать между следующими цветами освещения: белый, синий, зеленый, красный, желтый, фиолетовый и бирюзовый.



Эксплуатация

Внимание: Некоторые части противотока сделаны из стали. Несмотря на то, что, прежде всего, речь идет о нержавеющей стали, то так как используются химические препараты (в частности, хлорные препараты) необходимо соблюдать нижеуказанные правила.

При использовании химических препаратов необходимо соблюдать их правильную дозировку, в частности, необходимо избегать их использования в чрезмерных количествах! При использовании хлорных препаратов мы рекомендуем **регулярно измерять содержание хлора в воде бассейна и контролировать его содержание.** /Для измерения хлора можно использовать, например, капельный тестер, который можно приобрести в любом магазине «Mountfield»/. **Следующим важным фактором является контроль pH воды в бассейне.**

Неправильный уход за водой в бассейне и использование чрезмерного количества химических препаратов может привести к коррозии металлических частей противотока, а это также и нержавеющей! Ниже приведены наиболее частые причины, которые могут повредить металлические части противотока:

- 7) Уровень хлора - металлические части устойчивы к определенной концентрации хлора, но когда концентрация хлора чрезмерная, то это может привести к коррозии также нержавеющей материалов.
- 8) pH воды в бассейне: правильное значение pH должно быть от 7,0 до 7,4. Любое изменение, прежде всего, снижение значения pH, приводит к агрессивности воды и возникновению коррозии также у нержавеющей материалов.
- 9) Содержание растворенных солей – макс. 0,5 %

При дозировке и растворении бассейновых препаратов в воде бассейна дозируемые химические препараты не должны попасть в противоток. Мы рекомендуем не ПОЛЬЗОВАТЬСЯ противотоком.

Перед тем как приступить к выполнению шоковой обработки воды в бассейне (например, препаратом типа «Азуро Хлор Шок Г» или «Азуро Модрый блеск»), мы рекомендуем демонтировать противоток из бассейна и подождать, пока уровень хлора не снизится до нужного уровня.



Техническое обслуживание, подготовка к зиме

Оператор должен обеспечить, чтобы всё техобслуживание, надзор и монтаж выполнялись лицами, которые тщательно изучили настоящую инструкцию по эксплуатации.

Следите за чистотой воды в бассейне, чтобы не загрязнялся всасывающий кожух или даже корпус насоса.

Регулярно проверяйте проходимость вентиляционных отверстий в корпусе противотока, и удалять любые загрязнения, которые препятствуют свободному прохождению воздуха.

Если устройством не пользуетесь или если его оставляете без воды (например, при подготовке к зиме), то пусковое устройство необходимо отключить в контуре питания, чтобы не произошло случайное включение.

Регулярно проверяйте комплектность и целостности корпусов и других компонентов противотока.

Для подготовки к зиме мы рекомендуем устройство демонтировать и хранить в сухом помещении. Устройство, установленное снаружи, однако возможно оставить без демонтажа при условии, что ни одна его часть не остается погруженной в воду.

При повторном заполнении бассейна или при установке противотока надо проверить проходимость питательных отверстий на корпусе насоса.

Противоток запрещается подключать к электрической сети без погружения в воду.

Условия ответственности за дефекты

При условии соблюдения всех условий способа использования, которые указаны в данной инструкции, производитель предоставляет продленный срок гарантии на дефекты в течение 7 лет. Другие условия гарантии на дефекты приведены в гарантийном талоне продавца.

Сервисное обслуживание и запасные части обеспечивает компания АО «Mountfield» через сеть своих магазинов.

Испытания изделия

Изделие противоток бассейна AQUA Jet100 находится в соответствии с требованиями следующих европейских директив (постановлений правительства) в действующей редакции: 2006/95/ЕС (постановление правительства № 17/2003 Сб., устанавливающий технические требования к электрооборудованию низкого напряжения), 2004/108/ЕС (постановление правительства № 616/2006 Сб., устанавливающее технические требования к продукции с точки зрения их электромагнитной совместимости) и 2011/65/ЕС (постановление правительства № 481/2012 Сб. «Об ограничении использования определенных опасных веществ в электрических и электронных устройствах»).

Изделие было испытано в Машиностроительном испытательном институте в г.Брно.

Pompe nage contre courant pour les Piscines

AQUA JET 100

Instruction d'installation, montage et service



Conditions générales

Pour la société Mountfield a.s. fabrique Garsys s.r.o., Zone industrielle près des mines František, rue K Prádlu, 735 Horní Suchá, 735 35; pays d'origine: République Tchèque

Usage

L'installation est construite et destinée à l'exploitation des piscines privées et des piscines familiales au jardin. L'installation n'est pas destinée pour les piscines publiques et pour l'usage commercial.

Il est strictement nécessaire de respecter les instruction d'usage et d'installation, le montage et le service car toute installation électrique utilisée aux piscines et à la proximité des piscines doit être soumise à des exigences spéciales.

Le contre-courant dispose d'un débit d'eau réglable à partir de 60 à 100 m³/h, il correspond de façon adéquate aux besoins des nageurs expérimentés ainsi que des nageurs moins performants. L'installation doit être montée dans les piscines avec la taille appropriée; si vous avez l'intention d'installer la pompe nage contre-courant, consultez le spécialiste pour les piscines.

DESCRIPTION

La pompe nage contre courant à suspendre AQUA JET 100 peut être exploitée sur tous les types des piscines encastrées dans le terrain(par exemple de feuille, polypropylène, stratifié etc.).

La partie inférieure de l'engin contient des orifices d'aspiration par lesquelles l'eau est aspirée dans le vanne de la turbine. L'eau est ensuite propulsée par la buse de mélange placée dans la chambre à partir de la turbine de retour à la piscine. L'ouverture et fermeture de la pompe est effectuée par un bouton pneumatique monté sur le carter placé au front de la machine. En tournant le dispositif du régulateur on peut augmenter ou limiter l'aspiration de l'air dans la buse. L'interrupteur de l'éclairage règle les nuances des couleurs de l'éclairage du contre-courant sous l'eau.

Symbôles des instructions d'usage



Les instructions de sécurité mentionnées dans ce présent mode d'usage sont à respecter. Leur non respect peut menacer la santé des personnes. Elles sont désignés de façon standardisée en tant que symbôles du danger



Le non respect des instructions de sécurité mentionnées dans ce présent mode d'usage peut menacer la santé des personnes par le courant électrique. Elles sont désignées de façon standardisée en tant que symbôles du danger de courant électrique.

Les symbôles de sécurité respectent la norme ČSN ISO 3864.

version 2 / mai 2015

Les instructions de sécurité

Il est nécessaire sans exception de respecter toutes les instructions mentionnées dans ce mode d'emploi!

Ce mode d'emploi contient les instructions de base à respecter lors de l'installation, l'exploitation et la maintenance. C'est la raison pour laquelle l'instruction doit être dûment suivie par l'utilisateur et par les spécialistes invités qui participent au montage spécialisé de l'installation.

Le non respect des instructions de sécurité peut menacer la santé des personnes et également de l'environnement, sans oublier les dommages causés sur l'installation telle qu'elle.

L'installation ne peut pas être exploitée sans couvercles.

La pompe nage à contre-courant est destinée uniquement pour la natation et pour les massages. Lors de son usage à d'autres objectifs que ceux qui sont mentionnés ci-dessus ou bien lors de la transformation non autorisée par le constructeur, le constructeur se déresponsabilise de toute responsabilité et de garantie à supporter ainsi que de la sécurité du produit ce qui vaut également pour la responsabilité du vendeur.

Les personnes qui effectuent le montage spécialisé doivent atteindre une spécialisation conformément avec les instructions électriques techniques en vigueur (qualification au termes de la directive n. 50/1978 Rec. §6).

Les personnes spécialisées du service et de la surveillance doivent être instruites dans la mesure spécifiée par ce présent mode d'emploi. Le propriétaire de l'installation est responsable du service, de la maintenance de l'installation et du respect des instructions de sécurité.

L'installation n'est pas destinée à être utilisée par les mineurs ou par les personnes avec une mobilité réduite, avec une capacité mentale réduite ou d'autres capacités sensorielles réduites à condition qu'il n'y ait pas une surveillance et une instruction par la personne autorisée. L'installation ne doit pas être utilisée par les personnes qui n'ont pas été préalablement instruites par ce mode d'emploi, les personnes sous influence des médicaments, des drogues ou avec une réactivité réduite.

La hauteur du niveau de la piscine ne doit pas dépasser les 300 mm au-dessus de l'axe de la buse de la pompe à contre-courant (voir la figure n. 1).

La température dans la piscine ne doit pas dépasser 35 °C.



Instructions de sécurité pour la maintenance et pour le montage

Manipuler avec l'installation, effectuer la maintenance ou les travaux de montage est autorisé uniquement lors du débranchement du réseau électrique!

Il faut strictement respecter la procédure du débranchement de la machine comme décrit dans ce mode d'emploi.

Il faut monter juste après la fin des travaux tous les carters de sécurité sur l'engin de contre-courant et les rendre inséparables.

Avant le démarrage de la machine il faut respecter toutes les instructions mentionnées dans l'article concernant la mise en marche de l'installation.

La modification ou tout changement de l'installation sont admissibles uniquement après un accord préalable avec le constructeur. Pour ce qui concerne les pièces de réchange d'origine et les pièces autorisées par le constructeur. L'utilisation des pièces non autorisées conduit à la perte du droit au dédommagement ou indemnités quelconque.

La sécurité d'exploitation est garantie uniquement lors du respect de toutes les conditions mentionnées dans les instructions de montage.

N'exploitez pas l'installation endommagée ou incomplète. Si l'une des parties semble d'être endommagée ou manque, débranchez l'installation de l'alimentation électrique et laissez le réparer.

Ne marchez pas sur l'installation ni sur l'une de sa partie, ne vous asseyez pas là-dessus.

Il ne faut pas allumer la lumière de la piscine tant qu'elle n'est pas immergée dans l'eau entièrement. Elle peut perdre la capacité de sa luminosité ou se détruire entièrement.

Transport et stockage

Pour empêcher l'endommagement et la perte des parties intégrantes, on peut défaire l'emballage original juste avant le montage.

Contenu de l'emballage

- Pompe nage à contre-courant pour la piscine AQUA Jet 100
- Plaque de montage pour les piscines encastrées

Paramètres de base de la pompe nage à contre-courant

AQUA Jet 100

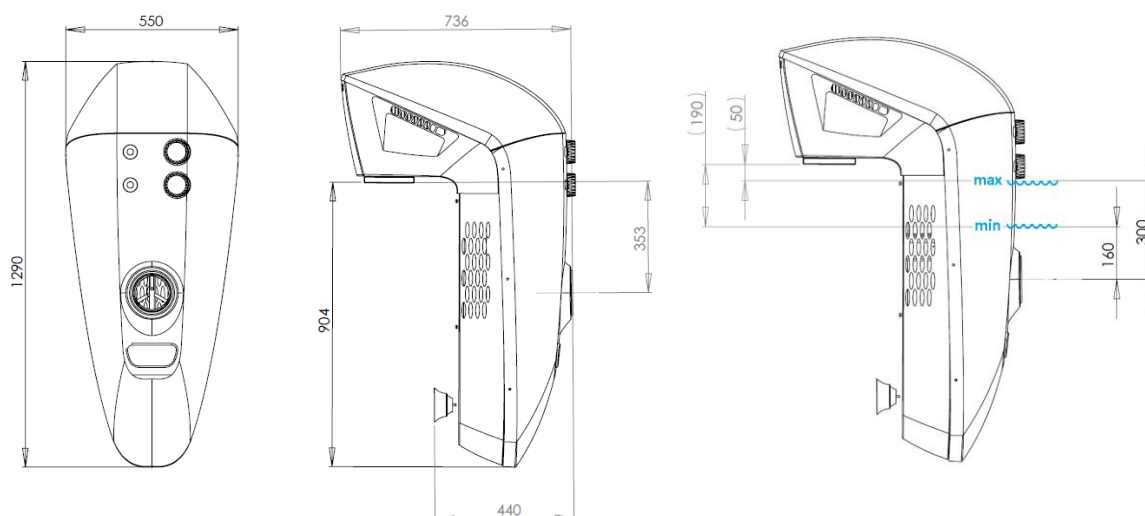


Fig. 1

Données techniques

Tension	monophasé 230 V, 50 Hz
Débit de la pompe	~ 100 m ³ /h
Capacité	1,1 kW

Commande	pneumatique
Poids	cca. 35kg
Degré de couverture	IP 14D



Montage

Pour un bon fonctionnement de la pompe nage à contre-courant il faut que la buse du contre-courant soit plongée au moins à 300 mm au-dessous du niveau d'eau dans la piscine (voir la figure n. 1).

L'espace optimisé de la profondeur de la buse sous le niveau de l'eau oscille entre 170 – 290 mm. Il ne faut pas évacuer l'air de la pompe lors de l'installation de la pompe nage à contre-courant dans la piscine ce qui permet d'installer la pompe nage à contre-courant dans la piscine vide, sans eau.



Montage de la pompe nage à contre-courant dans une piscine complètement encastrée

On utilise pour le montage la plaque de base qui fait partie de la livraison et qui est montée sur le carter inférieur de la pompe à contre-courant.

Il faut construire pour ce type de montage une plaque de base en béton (béton B30), d'épaisseur allant jusqu'à 20 mm sous le niveau du bord de la piscine. La pompe nage à contre-courant sera installée sur la barre supérieure de la piscine.

Il faut enlever le carter supérieur de la pompe à contre-courant avant le propre montage.

La pompe à contre-courant est fixée à l'aide du tube cylindrique le plus près possible du mur ou de la barre située au bord de la piscine.

L'ancrage de la pompe à contre-courant est effectué par les vis d'ancrage M8-160 (voir figure 2), à l'aide de l'ancre chimique (mortier bicomposé de la résine pour fixer les parties mécaniques au sous-sol minéral). La profondeur de vis est de 138 mm. On met les rondelles de 8,2 mm et les écrous d'auto-verrouillage M8 pour bien fixer les vis. Les vis et d'autres matériels ne font pas partie de la livraison.

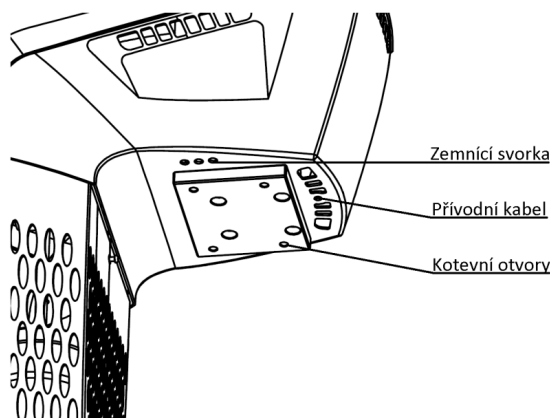


fig. 2

Cablage électrique des pompes nage à contre-courant



On ne peut connecter les pompes nage à contres-courant au réseau électrique qu'après le juste ancrage mécanique du corps de la pompe à contre-courant. La connection ou éventuellement (la déconnection) ne peut être effectuée que par la personne autorisée et qualifiée conformément avec les normes et instructions en vigueur, notamment la norme ČSN 33-2000-7-702 (qualifié au termes de la directive n. 50/1978 Rec. §6).

Schéma électrique pour AQUA Jet 100 (fig. 3):

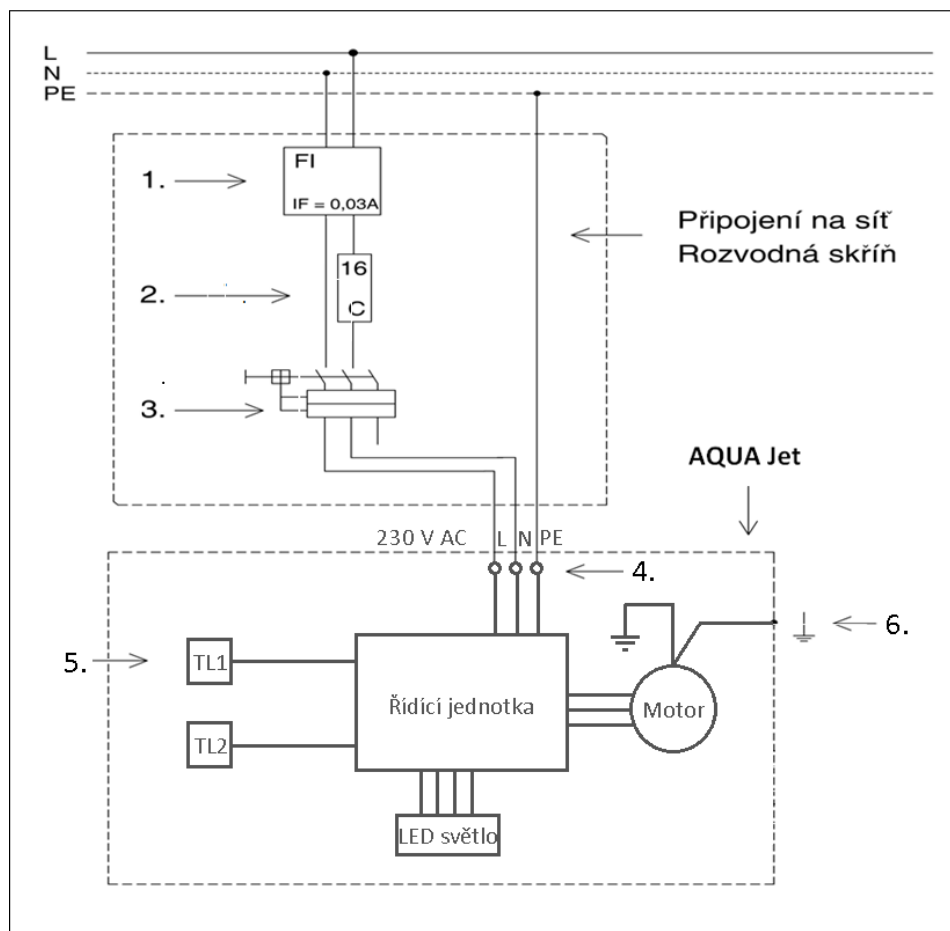


Fig.3 Connection au réseau. Armoire de distribution.

- 19. RCD IF=30mA
- 20. Disjoncteur 16A , caractéristique C
- 21. Démarreur de moteur 6A à 10A
- 22. Borne de connection
- 23. Commande pneumatique du contre-courant
- 24. Borne de terre

Note: postes 1, 2 et 3 ne font pas partie de la livraison du contre-courant



Il faut connecter les pompes nage à contre-courant au réseau à l'aide du démarreur de moteur, du disjoncteur et du RCD (voir le schéma de la connection fig. 3). Leur exclusion peut menacer la vie ou présenter le menace général. L'installation doit être située en dehors de la zone de protection de la piscine (zones 0, 1 et 2), voir la norme ČSN 33 2000-7-702, avec le minimum de 3,5 m à partir du parois de la piscine, voir fig. 4.

Le démarreur de moteur, le disjoncteur et le RCD doivent être situés dans une armoire à fermeture pour empêcher l'accès aux personnes non autorisées.

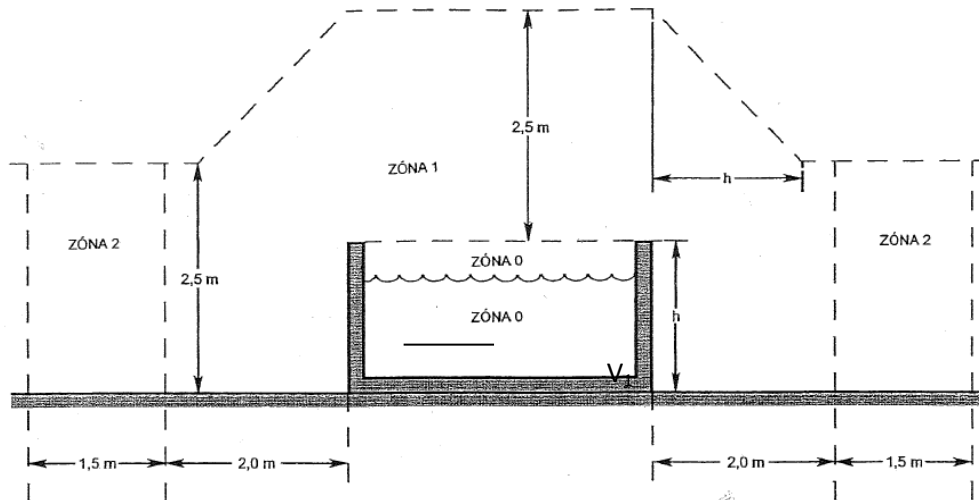


Fig. 4

3



Le câble d'alimentation à section minimum de $1,5\text{mm}^2$ passera par un tube de contact situé dans la partie inférieure du carter, voir fig. 2. Il faut l'assurer au niveau de la boîte contre son arrachement en le faisant passer par la presse-étoupe. En passant vers la pompe à contre-courant le câble doit se trouver dans un protecteur du câble, voir fig. 5.

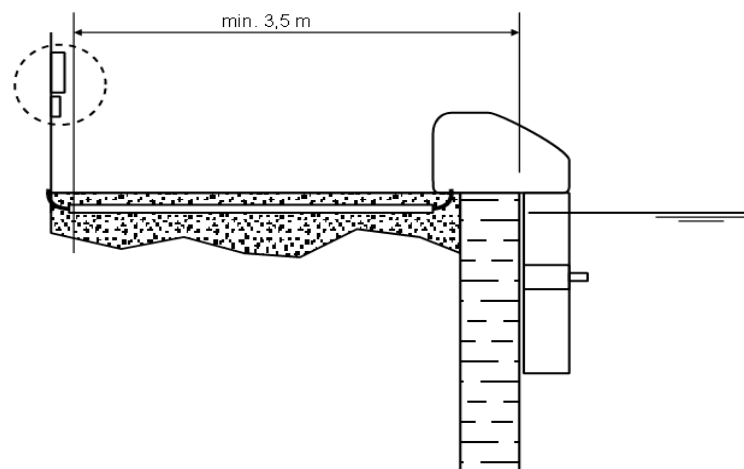


Fig.5



La pompe à contre-courant doit être mise à terre par le câble de terre de 2,5 mm². Le boucle de terre est monté à la borne de terre placée dans la partie inférieure du carter de la pompe à contre-courant, voir fig. 2. Le conducteur de terre doit être tiré individuellement dans un protecteur de câble en commun avec le câble d'alimentation. Il faut connecter le câble de terre à la borne de terre situé dans l'armoire de distribution.



Avant la connection au réseau il faut rendre tous les carter à leur emplacement d'origine!



Mise en marche et commande

Après l'ancrage mécanique, la connection au réseau et après la réinstallation des carters, l'installation est prête pour la mise en marche.

L'installation se lance et s'éteint par l'interrupteur général selon la figure 6.



Attention: Ne couvrez pas les orifices d'aération lors de l'exploitation du contre-courant.

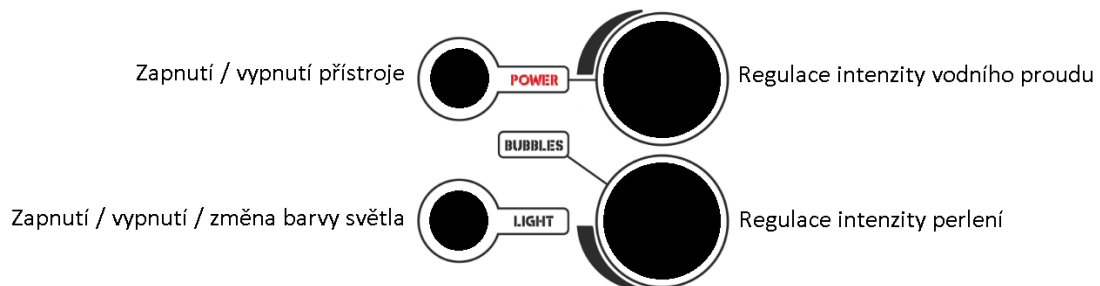


Fig.6

Si la température externe devient extrême et lors de la longue exploitation (plusieurs heures) la pompe à contre-courant peut s'éteindre spontanément. Il y a un fusible thermique qui protège le moteur contre le surchauffement. Après le refroidissement du moteur on peut de nouveau allumer le moteur.

Nous recommandons en cas d'un long arrêt du contre-courant de déconnecter le contre-courant du réseau par biais du démarreur du moteur.

Aspiration d'air (effet pétillant)

Le galet de commande d'aspiration d'air est connecté par la distribution aux 3 buses d'aspiration. On peut ouvrir ou fermer l'aspiration en tournant le galet de commande d'aspiration.

Lumière sous l'eau

La lumière est commandée par biais d'un commutateur pneumatique, voir fig. 6. On peut choisir les couleurs suivantes: blanc, bleu,vert,rouge,jaune,violet et turquoise.

Explication pour l'image 6.

Allumage/débranchement de la machine

Réglement de l'intensité du courant d'eau

Allumage/débranchement /changement
de la couleur de la lumière

Réglement de l'intensité et de l'effet pétillant



Exploitation

Avertissement: Certaines parties de la pompe à contre-courant sont fabriquées en acier. Il s'agit surtout de l'acier anti corrosif cependant en utilisant les agents chimiques (surtout les dérivés du chlore) il faut quand même respecter certaines instructions de base mentionnées ci-dessous.

Lors de l'utilisation des produits chimiques veuillez de respecter le juste dosage et évitez leur utilisation dans un volume excessif! Lors de l'utilisation des agents qui contiennent du chlore il est recommandé de prélever régulièrement les échantillons afin de contrôler leur juste contenu dans la piscine et leur volume. /On peut utiliser par exemple le testeur des gouttes. Vous trouverez le produits dans tous les points de vente de la société Mountfield/. D'autre facteur important à contrôler est le pH de l'eau de la piscine.

Un soin inapproprié de l'eau de la piscine et l'utilisation excessive de la chimie peuvent causer la corrosion des parties montées sur la pompe à contre-courant, les parties métalliques autant que les autres parties! Vous trouverez plus bas les causes le plus courantes qui peuvent endommager les parties métalliques de la pompe à contre-courant:

- 10) Le niveau du chlore – les parties métalliques résistent à une certaine concentration du chlore, cependant si la concentration dépasse le niveau, elle peut causer les effets corrosifs même au matériel non métallique.
- 11) pH de l'eau dans la piscine – juste pH 7,0 – 7,4. Tout changement surtout visant à baisser le pH cause la croissance de taux de l'agressivité de l'eau et par la suite également le degré plus élevé de la corrosion pour le matériel d'origine non métallique.
- 12) Le contenu du sel dillué – max. 0,5 %

Il faut éviter le contact avec le nage à contre-courant lors du dosage et lors de la dissolution des produits destinés pour la piscine dans l'eau de la piscine. Nous recommandons de ne pas UTILISER le contre-courant.

Avant l'intervention par traitement de choc de l'eau de la piscine (par exemple avec le produit du genre Azuro Chlor Šok G ou bien Azuro Modrý blesk) nous recommandons de démonter la pompe nage à contre-courant de la piscine et attendre jusqu'à ce que le niveau de la piscine ne baisse à son juste niveau.



Maintenance, hivernage

L'exploitant doit garantir que la maintenance, surveillance et montage soient effectuées par les personnes dûment informées qui ont préalablement étudié ce Mode d'emploi.

Veillez à la pureté de l'eau dans la piscine, à ce que le couvercle d'aspiration ou bien le corps de la pompe ne soient pas obturés.

Contrôlez régulièrement le libre passage des orifices d'aération dans le carter du contre-courant, enlevez les éventuelles impuretés qui empêchent le libre passage d'air.

Si vous n'utilisez pas l'installation et vous la laissez vide pour une certaine période (par exemple période d'hivernage) éteignez le démarreur du moteur sur le circuit d'alimentation pour empêcher sa mise en marche spontanée.

Contrôlez de façon régulière la complexité et l'aspect intact des carters et autres parties intégrantes de la pompe à contre-courant.

Lors de l'hivernage nous vous recommandons de démonter l'installation et la stocker dans un endroit sec. Il est possible de laisser l'installation dehors à condition que aucune de ses parties ne restera immergée dans l'eau.

N'oubliez pas de contrôler lors du nouveau remplissage de la piscine ou lors de l'installation de la pompe contre-courant le passage libre des orifices d'irrigation sur le corps de la pompe.

La pompe nage à contre-courant ne doit pas être lancée électriquement sans son immersion préalable dans l'eau

Conditions de la responsabilité pour les dégâts

Le fabricant offre une garantie prolongée jusqu'au 7 ans à condition que tous les points mentionnés dans ce présent mode d'emploi soient respectés. Les autres conditions de responsabilité des dégâts sont mentionnés dans le carnet de garantie du vendeur.

Le service et les pièces de réchange sont assurés par la société Mountfield a.s. par biais de ses points de vente.

Tests du produit

Le produit pompe nage à contre-courant AQUA Jet100 est en conformité avec les exigences, les normes et les directives européennes (réglementation du gouvernement) modifié ultérieurement: 2006/95/ES (réglementation du gouvernement n. 17/2003 Rec., par lequel sont fixées les exigences techniques concernant les installations à basse tension), 2004/108/ES (réglementation du gouvernement n. 616/2006 Rec., par lequel sont fixées les exigences techniques aux produits du point de vue de la compatibilité électromagnétique) et 2011/65/EU (réglementation du gouvernement n. 481/2012 Sb., des restrictions sur l'utilisation de certains substances dangereuses dans les installations électriques ou électroniques).

Le produit a été testé sur le banc d'essai mécanique - Strojírenský zkušební ústav Brno.